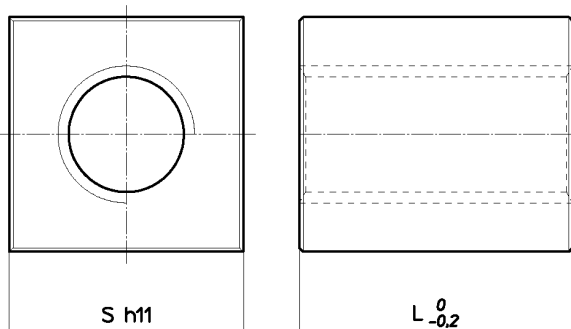


## Trapezoidal nut type CQA - Square steel

**Material: EN 10277-3 11 S Mn Pb 37 – 1.0737**

Used as fastening nut or for manual movement where load is negligible because steel-to-steel coupling used for movement under load tends to seize. The material used can be MIG welded only. Electrode welding is not recommended because of the lead.

chamfer 1x45°



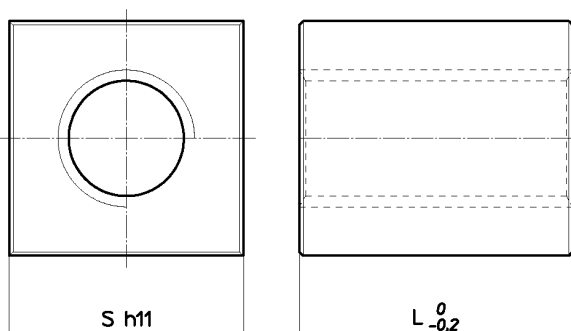
Nut Stock no. <b>RIGHT</b>	Nut Stock no. <b>LEFT</b>	<b>Diameter x lead</b>	Thread starts	S mm	L mm	Wt. kg/each	At mm <sup>2</sup> (1)
CQA 10 T R	CQA 10 T L	<b>Tr 10x2</b>	1	17	15	0.027	150
CQA 12 A R	CQA 12 A L	<b>Tr 12x3</b>	1	25	30	0.123	739
CQA 14 R R	CQA 14 R L	<b>Tr 14x3</b>	1	25	20	0,076	393
CQA 14 A R	CQA 14 A L	<b>Tr 14x4</b>	1	30	35	0,211	658
CQA 16 A R	CQA 16 A L	<b>Tr 16x4</b>	1	30	35	0.199	770
CQA 18 A R	CQA 18 A L	<b>Tr 18x4</b>	1	35	45	0.353	1131
CQA 20 A R	CQA 20 A L	<b>Tr 20x4</b>	1	40	50	0.517	1412
CQA 25 A R	CQA 25 A L	<b>Tr 25x5</b>	1	45	55	0.683	1943
CQA 30 A R	CQA 30 A L	<b>Tr 30x6</b>	1	50	60	0.877	2544
CQA 35 A R	CQA 35 A L	<b>Tr 35x6</b>	1	60	70	1.494	3517
CQA 36 A R	CQA 36 A L	<b>Tr 36x6</b>	1	60	70	1.465	3630
CQA 40 A R	CQA 40 A L	<b>Tr 40x7</b>	1	60	70	1.347	4013
CQA 50 A R	CQA 50 A L	<b>Tr 50x8</b>	1	70	90	2.183	6502
CQA 60 A R	CQA 60 A L	<b>Tr 60x9</b>	1	80	100	2.990	8718

## Trapezoidal nut type QOB - Square brass

**Material: EN 12164 CW614N-M**

Used as nut for movement of fairly small loads since the brass has not high resistance neither to load nor to wear.

chamfer 1x45°



Nut Stock no. <b>RIGHT</b>	Nut Stock no. <b>LEFT</b>	<b>Diameter x lead</b>	Thread starts	S mm	L mm	Wt. kg/each	At mm <sup>2</sup> (1)
QOB 10 A R	QOB 10 A L	<b>Tr 10x3</b>	1	25	20	0.094	267
QOB 12 A R	QOB 12 A L	<b>Tr 12x3</b>	1	25	25	0.110	411
QOB 12 B R	--	<b>Tr 12x6 (P3)</b>	2	25	25	0.110	411
QOB 14 R R	QOB 14 R L	<b>Tr 14x3</b>	1	25	20	0.076	658
QOB 14 A R	QOB 14 A L	<b>Tr 14x4</b>	1	30	35	0.224	658
QOB 16 A R	QOB 16 A L	<b>Tr 16x4</b>	1	30	35	0.212	770
QOB 18 A R	QOB 18 A L	<b>Tr 18x4</b>	1	35	45	0.379	1131
QOB 20 A R	QOB 20 A L	<b>Tr 20x4</b>	1	40	50	0.554	1412
QOB 25 A R	QOB 25 A L	<b>Tr 25x5</b>	1	45	55	0.735	1943
QOB 30 A R	QOB 30 A L	<b>Tr 30x6</b>	1	50	60	0.952	2544
QOB 35 A R	QOB 35 A L	<b>Tr 35x6</b>	1	60	70	1.617	3517
QOB 36 A R	QOB 36 A L	<b>Tr 36x6</b>	1	60	70	1.563	3630
QOB 40 A R	QOB 40 A L	<b>Tr 40x7</b>	1	60	70	1.465	4013

(1) Total bearing surface between screw and nut teeth on plane perpendicular to axis.