



Split Plummer Block Housings SES

For shaft diameters

of 20 mm to 160 mm and $\frac{3}{4}$ inch to $5\frac{1}{2}$ inch

Foreword

New generation of housings

Plummer block housings SES represent a completely new generation of housings. Through the systematic further development of the proven FAG plummer block housings, Schaeffler can offer even greater efficiency and cost-effectiveness for machinery and plant.

Longer bearing life

The unique housing design leads to an increase in the life of the bearings fitted in the housing. This is achieved through optimised load distribution in the bearing, which results from the interaction of the bearing and housing geometry under load.

Advantages

The most important advantages of the newly developed plummer block housings SES can be summarised as follows:

- Longer bearing life due to the innovative housing design. This gives lower maintenance and downtime costs of the entire machine or plant.
- An improved material gives higher housing rigidity. As a result, the robust housing is even more suitable for aggressive environmental conditions.
- Optimal heat dissipation through large and uncoated support faces.
- A grease outlet hole allows the controlled escape of superfluous and used grease.
- Different sealing variants allowing matching to an environment with particular contaminant and dust conditions.
- The use of split labyrinth seals (available by agreement) gives a considerable reduction in the work involved in replacing seals, especially in combination with the mounting of a split bearing.
- Markings identify sensor connection points for condition monitoring.
- Indentations indicating the shaft and bearing centre, ensuring rapid and simple alignment of the housing.
- Serial numbering on both halves of the housing, ensuring their correct allocation. This prevents incorrect transposition between the pairs of upper and lower housing sections.
- Simplified housing selection due to a new system of housing designations based on ISO 113.

Schaeffler housing range

Schaeffler offers an extensive range of bearing housings and housing units.

Further information

- Catalogue GK 1, Bearing Housings
<https://www.schaeffler.de/std/1F7F>
- Catalogue SG 1, Radial Insert Ball Bearings and Housing Units
<https://www.schaeffler.de/std/1F80>

Split plummer block housings SES

| | Page |
|-------------------------------------|--|
| Product overview | Split plummer block housings SES 4 |
| Features | Modular concept..... 6 |
| | Dimensions and interchangeability 6 |
| | Suitable bearings 6 |
| | Housing materials and corrosion protection 7 |
| | Locating and non-locating bearings..... 7 |
| | Advantages of the detailed design 8 |
| | Seals and covers..... 10 |
| | Housing configurations 14 |
| | Lubrication 16 |
| | Designation structure..... 21 |
| | Ordering examples..... 24 |
| Design and safety guidelines | Load carrying capacity 25 |
| | Permissible shaft end designs..... 28 |
| | Additional holes for foot screws and pins 29 |
| | Mounting and dismounting 32 |
| Accuracy | 35 |
| Dimension tables | Plummer block housings SES, split, for bearings with tapered bore and adapter sleeve, metric shaft 36 |
| | Plummer block housings SES, split, for bearings with cylindrical bore, metric shaft 48 |
| | Plummer block housings SES, split, for bearings with tapered bore and adapter sleeve, inch size shaft 66 |

Product overview Split plummer block housings SES

Plummer block housings Split

SES
(SES205 to SES522-619)



SES
(SES524-620 to SES532)



Accessories Double lip seals Felt seals

EDH



EFS



**Labyrinth seals
V ring seals**



Taconite seals



Covers
Plastic, usable up to +120 °C
Steel and FKM, usable up to +200 °C



Locating rings



Split plummer block housings SES

Features Split plummer block housings SES and the associated bearings form bearing arrangement units that can be matched, through the appropriate selection of accessories, to a wide range of applications. Applications include agricultural machinery, the paper processing industry, mining, materials processing, the steel industry and power stations.

Modular concept The housings are designed in accordance with a modular concept. Each housing can be fitted with rolling bearings of various diameter and width series if they have the correct outside diameter for the housing.

Depending on their design, the bearings can be located either directly on the shaft or by means of an adapter sleeve. This gives different shaft diameters for the same bearing size. The spacings between the shaft and housing body are compensated by means of appropriately matched seals.

Dimensions and interchangeability The dimensions of housings SES correspond to ISO 113 and DIN 736 to DIN 739. The housings SES are interchangeable with the existing housings SN, SNE and SNV.

Suitable bearings Split plummer block housings SES are suitable for fitting with spherical roller bearings, barrel roller bearings and self-aligning ball bearings with a tapered or cylindrical bore, as well as with deep groove ball bearings, see table. The range of shaft diameters is 20 mm to 160 mm and $\frac{3}{4}$ inch to $5\frac{1}{2}$ inch.

Bearing types and sizes

| Bearing type | Size |
|---|------------------------------------|
| Spherical roller bearings | |
| with tapered bore and adapter sleeve | 21306..-K to 21320..-K |
| | 22205..-K to 22232..-K |
| | 22308..-K to 22330..-K |
| | 23218..-K to 23232..-K |
| with cylindrical bore | 21304 to 21320 |
| | 22205 to 22232 |
| | 22308 to 22330 |
| | 23218 to 23232 |
| Sealed spherical roller bearings | |
| with cylindrical bore | WS22205-E1-2RSR to WS22216-E1-2RSR |
| | WS22308-E1-2RSR to WS22311-E1-2RSR |
| Split spherical roller bearings | |
| with cylindrical bore | 222SM55-TVPA to 222SM140-TVPA |
| | 222S.203 to 222S.508 |
| continued ▼ | |

Bearing types and sizes

| Bearing type | Size |
|--------------------------------------|--------------------|
| Self-aligning ball bearings | |
| with tapered bore and adapter sleeve | 1205-K to 1224-K |
| | 1304-K to 1320-K |
| | 2205-K to 2222-K |
| | 2305-K to 2320-K |
| with cylindrical bore | 1205 to 1226 |
| | 1305 to 1320 |
| | 2205 to 2222 |
| | 2304 to 2320 |
| Barrel roller bearings | |
| with tapered bore and adapter sleeve | 20205-K to 20232-K |
| | 20305-K to 20320-K |
| with cylindrical bore | 20205 to 20232 |
| | 20304 to 20320 |
| Deep groove ball bearings | |
| with cylindrical bore | 6205 to 6232 |
| | 6304 to 6320 |
| continued ▲ | |

Split spherical roller bearings

Unsplit spherical roller bearings with an adapter sleeve can be replaced by split spherical roller bearings. This gives a considerable reduction in the work associated with bearing replacement in numerous applications.

In order to ensure selection of the correct combination of housing and bearing, please contact us.

Further information

- Technical Product Information
TPI 250, Split spherical roller bearings
<https://www.schaeffler.de/std/1F81>

Housing materials and corrosion protection

The standard material for the housing bodies is flake graphite cast iron EN-GJL-300 in accordance with DIN EN 1561 (suffix L). By agreement, housing bodies made from spheroidal graphite cast iron EN-GJS-400-15 in accordance with DIN EN 1563 (suffix D) are available.

All outer surfaces not machined by chip-forming methods have a universal paint coating (colour RAL 7016, anthracite grey). The coating can be finished using all synthetic resin, polyurethane, acrylic, epoxy resin, chlorinated rubber, nitrocellulose and acid-hardening hammer tone finishes.

Inner and outer surfaces machined by chip-forming methods are provided with anti-corrosion protection that can be easily removed. It is recommended that only volatile solvents and lint-free cloths should be used.

Locating and non-locating bearings

The bearing seats in the housing are machined such that the bearings are movable in the housing and can thus function as non-locating bearings. Locating bearing arrangements can be achieved by the insertion of one locating ring FRM on each side of the bearing outer ring. The bearing is thus seated in the centre of the housing. Locating rings must be ordered separately.

Split plummer block housings SES

Advantages of the detailed design

A large number of details in the housing design that are systematically matched to practical application allows a particularly flexible and economical usage of plummer block housings SES, *Figure 1*.

- ① Lubrication holes for central and lateral lubricant feed
- ② Marked connection points for condition monitoring
- ③ Grease outlet hole
- ④ Indentations indicating shaft and bearing centres
- ⑤ Marking of housing halves
- ⑥ Dismounting notches
- ⑦ Projection of upper housing section
- ⑧ Marked positions for additional fixing holes
- ⑨ Marked positions for pins

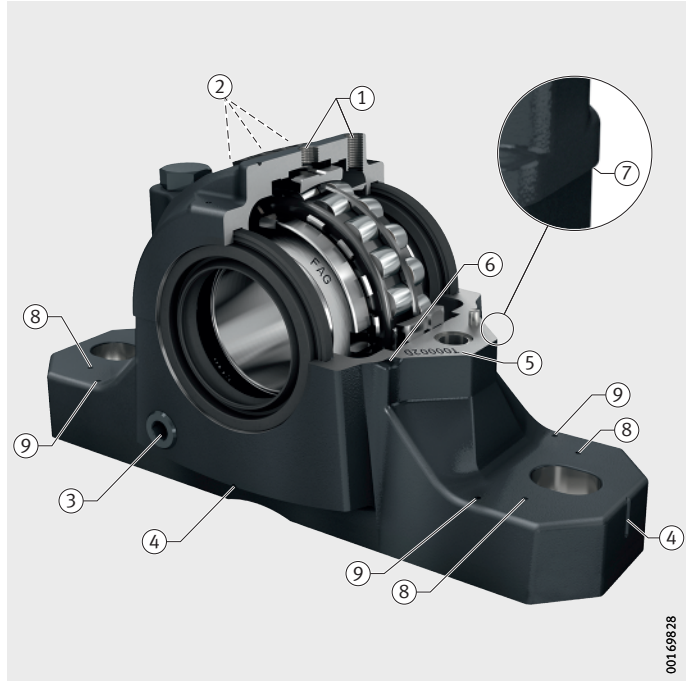


Figure 1
Advantages
of the detailed design

Lubrication holes

Two lubrication holes M10×1 in the upper housing section enable central and lateral lubricant feed, *Figure 1*, ①. The central lubrication hole is connected to a long axial lubrication groove in the upper housing section and thus ensures supply of lubricant irrespective of bearing position to all bearing series that can be fitted. One button head lubrication nipple and one taper type lubrication nipple are included with the housing.

Marked connection points for condition monitoring

Cast-in pilot holes in the upper housing section indicate suitable connection points for condition monitoring, *Figure 1*, ②. We recommend the use of Schaeffler SmartCheck, a modular online measuring system for machine monitoring. Alternatively, other vibration sensors can also be connected.

The Schaeffler SmartCheck must be ordered separately. For detailed information, see TPI 214, Schaeffler SmartCheck, download at <https://www.schaeffler.de/std/1F82>.

| | |
|--|---|
| Grease outlet hole | A grease outlet hole in the lower housing section allows the escape of used and superfluous grease during relubrication, <i>Figure 1</i> , ③. |
| Indentations indicating shaft and bearing centres | Indentations in the lower housing section indicate the shaft and bearing centres in the housing, <i>Figure 1</i> , ④. This allows rapid alignment and reduces mounting time. |
| Marking of housing halves | The upper housing section and lower housing section are matched to each other and must not be transposed with other housing halves. The serial numbering on both halves of the housing ensure their correction allocation, <i>Figure 1</i> , ⑤. Furthermore, the serial numbering allows traceability and simplified documentation. |
| Dismounting notches | Recessed dismounting notches on the interface of the housing halves make it easier to remove the upper housing section, <i>Figure 1</i> , ⑥. |
| Projection of upper housing section | The projection of the upper housing section prevents the collection of fluids and contaminants at the interface of the two housing halves, <i>Figure 1</i> , ⑦. This leads to reduced cleaning work and a lower risk of corrosion. |
| Marked positions for additional fixing holes | For the mounting of housings on T-beams, points in the lower housing section mark the positions for additional holes, <i>Figure 1</i> , ⑧. |
| Marked positions for pins | For additional fixing of the housing by means of pins, cast-in pilot holes in the lower housing section indicate the optimum position for the holes, <i>Figure 1</i> , ⑨. |
| Improved material | An improved material gives higher housing rigidity. As a result, the robust housing is even more suitable for aggressive environmental conditions. |

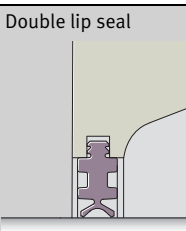
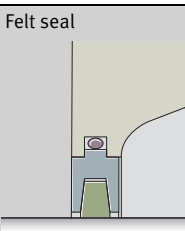
Split plumber block housings SES

- Seals and covers** For sealing of the bearing housings, the standard seals available are the labyrinth seal, the Taconite seal, the double lip seal, the V ring seal and the felt seal.
- These seals are matched to the rectangular section annular slots on both sides of the housings. They are principally suitable for grease lubrication.
- The seals must be ordered separately. They are supplied individually. If a continuous shaft is present, two seals must be ordered. Special seals are also available by agreement.
- Double lip seals EDH** The seal lips of the double lip seal EDH slide on the rotating shaft. The outer seal lip prevents ingress of contamination into the bearing. This effect is supported by the grease inserted between the seal lips during assembly. The inner lip prevents lubricant from escaping from the housing.
- The seal is made from acrylonitrile butadiene rubber NBR and is suitable for circumferential velocities of up to 13 m/s. For continuous operation, a maximum circumferential velocity of 6 m/s is recommended.
- The seal is suitable for temperatures from $-40\text{ }^{\circ}\text{C}$ to $+100\text{ }^{\circ}\text{C}$. It allows shaft misalignment of up to $0,5^{\circ}$ in both directions.
- The double lip seal EDH is a two-piece seal. It can be easily inserted in the annular slots in the housing. The parting joint of the seal halves should be in the same plane as the parting joint of the housing.
- The contact running area on the shaft for the seal lips should have a roughness Ra 3,2.
- Felt seals EFS** The seals are suitable for circumferential velocities of up to 5 m/s and, after running-in, up to 15 m/s. They can be used at temperatures up to $+100\text{ }^{\circ}\text{C}$. By agreement, aramide packing is available for high temperatures.
- The permissible shaft misalignment is $0,5^{\circ}$ in both directions.
- Felt seals EFS are particularly suitable for grease lubrication. They comprise an adapter holding the inserted, oil-impregnated felt strip and the adapter is secured against rotation by an O ring in the annular slot in the housing.

| | |
|---|---|
| Labyrinth seals ETS | <p>Labyrinth seals ETS, give non-contact sealing. They are therefore suitable for high circumferential velocities. The O ring, which is pressed between the labyrinth ring and shaft, is made from fluoro rubber FKM and is suitable for temperatures of up to +200 °C.</p> <p>The labyrinth seal allows shaft misalignment of up to 0,5° in both directions.</p> <p>If necessary, the labyrinth can be relubricated. For this purpose, a lubrication hole must be made in the upper housing section for each labyrinth seal. The optimum positions are indicated by cast-in pilot holes.</p> |
| V ring seals EDV | <p>In the case of V ring seals EDV, the seal lip is in axial contact with the sliding surface which is located in the rectangular section annular slot of the housing.</p> <p>The seal is made from NBR and is suitable, when using grease lubrication, for circumferential velocities of up to 12 m/s. If circumferential velocities of more than 8 m/s are present, axial location is necessary. The seal allows shaft misalignment of up to 0,5° in both directions.</p> |
| Taconite seals ETC | <p>Taconite seals ETC are combined seals comprising a labyrinth seal and a V ring. These seals are suitable for extreme operating conditions in relation to contamination and dust. The V ring is made from NBR and is suitable for temperatures of up to +100 °C.</p> <p>The Taconite seal allows shaft misalignment of up to 0,5° in both directions.</p> |
| Covers EDK | <p>Covers are used in the case of housings closed on one side. The covers fit in the rectangular section annular slots in the housings. Covers EDK are made from plastic and are suitable for long term temperatures of up to +120 °C.</p> <p>The covers must be ordered separately.</p> |
| Covers EDKT | <p>Covers EDKT are made from steel and FKM. They are suitable for temperatures up to +200 °C. These covers should always be used in overhead and side mounting arrangements (regardless of the temperature).</p> <p>Covers are available by agreement.</p> |
| Characteristics and operating limits | <p>The characteristics and operating ranges of the standard seals and covers are compared in an overview, see table, page 12.</p> |

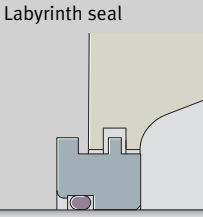
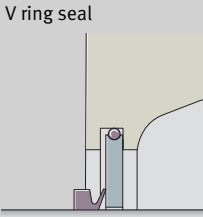

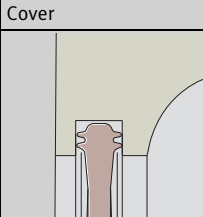
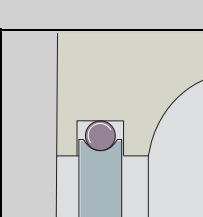
Split plummer block housings SES

Standard seals and covers for plummer block housings SES

| Seals and covers | Double lip seal | Felt seal | |
|--|---|-----------------------------|-----------------------------|
|  |  | | |
| Designation | EDH | EFS | |
| Material | NBR | Steel, felt, NBR | |
| Pieces per pack | 2 | 2 | |
| Suitability for sealing against | | | |
| Dust | ++ | + | |
| Fine solid particles | ++ | - | |
| Coarse solid particles | + | - | |
| Slivers | + | + | |
| Spray liquids | + | - | |
| Operating limits | | | |
| Long term temperature | °C | -40 to +100 (due to NBR) | -30 to +100 (due to NBR) |
| | °F | -40 to +210 (due to NBR) | -22 to +210 (due to NBR) |
| Circumferential velocity | m/s | max. 13 (duration 6) | 5 (after running-in 15) |
| Misalignment | ° | ≦ 0,5 | ≦ 0,5 |
| Low friction | | ++ | - |
| Axial shaft displacement (suitability as non-locating bearing) | | ++ | ++ |
| Vertical arrangement | | + | - |
| Suitability for grease relubrication | | ++ | - |
| Suitability for oil lubrication | | (+) | - |
| Compatibility with sunlight | | + | ++ |
| Preconditions | | | |
| Tolerance class ¹⁾ of shaft diameter | | h8 (h9) | h8 (h9) |
| Shaft roughness | μm | Ra 3,2 | Ra 3,2 |

- ++ Highly suitable
- + Suitable
- (+) Suitable with restrictions
- Not suitable

1) The envelope condition © applies here.

| Labyrinth seal | V ring seal | Taconite seal | Cover | |
|---|---|---|--|---|
|  |  |  |  |  |
| ETS | EDV | ETC | EDK | EDKT |
| Steel, FKM | Steel, NBR | Steel, NBR | Plastic | Steel, FKM |
| 1 | 2 | 1 | 1 | 1 |
| | | | | |
| + | + | ++ | + | + |
| + | + | ++ | + | + |
| + | - | ++ | + | + |
| ++ | - | ++ | + | + |
| - | + | ++ | + | + |
| | | | | |
| -20 to +200 (due to FKM) | -30 to +100 (due to NBR) | -30 to +100 (due to NBR) | -40 to +120 | -20 to +200 (due to FKM) |
| -4 to +390 (due to FKM) | -22 to +210 (due to NBR) | -22 to +210 (due to NBR) | -40 to +250 | -4 to +390 (due to FKM) |
| No restriction | max. 12 | ≦ 12 | Not applicable | Not applicable |
| ≦ 0,5 | ≦ 0,5 | ≦ 0,5 | Not applicable | Not applicable |
| ++ | ++ | + | Not applicable | Not applicable |
| + | (+) | + | Not applicable | Not applicable |
| - | (+) | - | - | + |
| + | (+) | + | + | ++ |
| - | - | - | - | ++ |
| ++ | - | ++ | (+) | ++ |
| | | | | |
| h8 (h9) | h8 (h9) | h8 (h9) | Not applicable | Not applicable |
| Ra 3,2 | Ra 3,2 | Ra 3,2 | Not applicable | Not applicable |

Split plummer block housings SES

Housing configurations

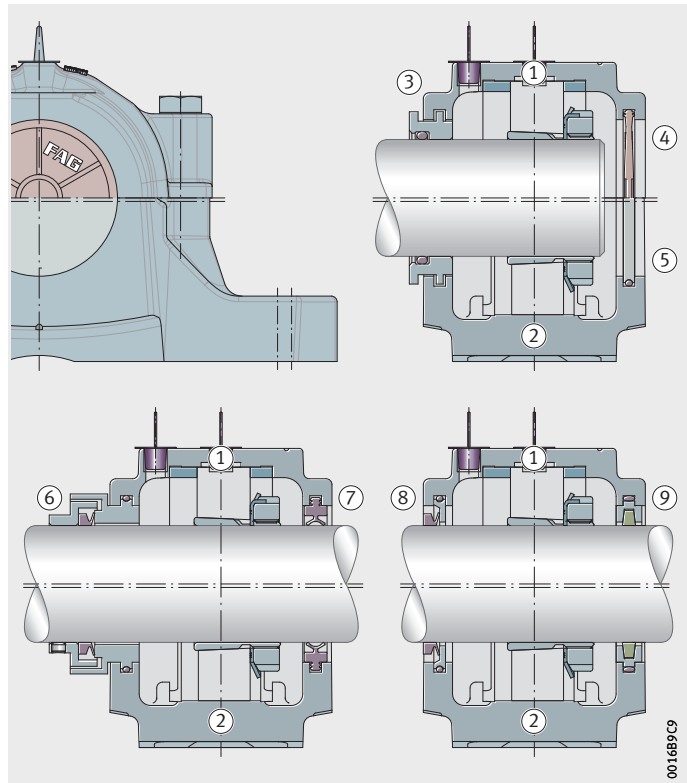
The modular structure of the plummer block housings SES facilitates numerous possible combinations, *Figure 2* and *Figure 3*, page 15.

On the basis of the standard components, the following features can be varied in the housing configuration:

- location of bearings with a tapered bore by means of an adapter sleeve on a shaft of constant diameter or of bearings with a cylindrical bore directly on a stepped shaft
- sealing of housing by double lip seal, felt seal, labyrinth seal, V ring seal or Taconite seal
- continuous shaft or a housing closed on one side
- cover made from plastic (EDK) or cover made from steel (EDKT)
- design of the bearing arrangement as a locating bearing arrangement or a non-locating bearing arrangement
- various bearing types, see table, page 6

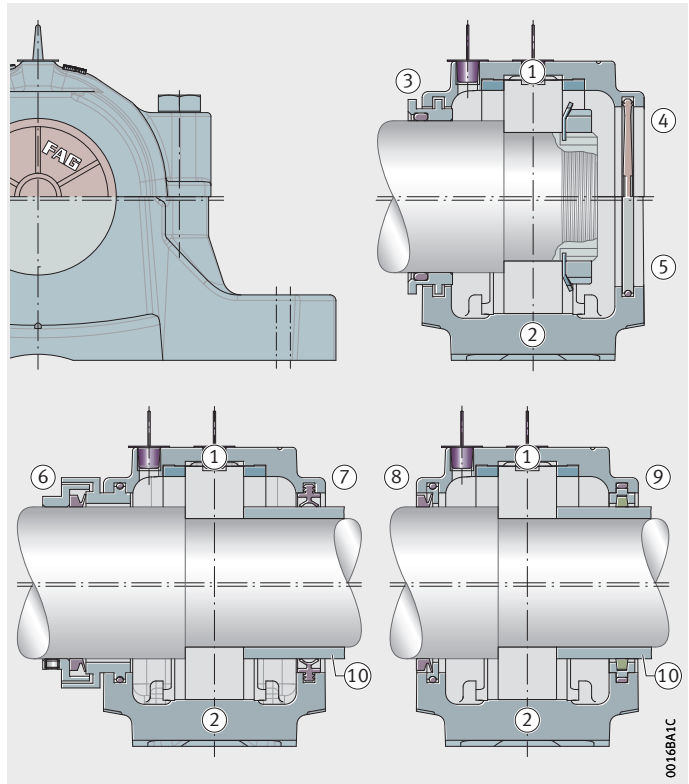
- ① Locating bearing
- ② Non-locating bearing
- ③ Labyrinth seal ETS
- ④ Cover EDK
- ⑤ Cover EDKT
- ⑥ Taconite seal ETC
- ⑦ Double lip seal EDH
- ⑧ V ring seal EDV
- ⑨ Felt seal EFS

Figure 2
Plummer block housings SES
for bearings with tapered bore and
adapter sleeve
(overview of combinations)



- ① Locating bearing
- ② Non-locating bearing
- ③ Labyrinth seal ETS
- ④ Cover EDK
- ⑤ Cover EDKT
- ⑥ Taconite seal ETC
- ⑦ Double lip seal EDH
- ⑧ V ring seal EDV
- ⑨ Felt seal EFS
- ⑩ Spacer sleeve
(not included in the scope of delivery)

Figure 3
Plummer block housings SES
for bearings with cylindrical bore
(overview of combinations)

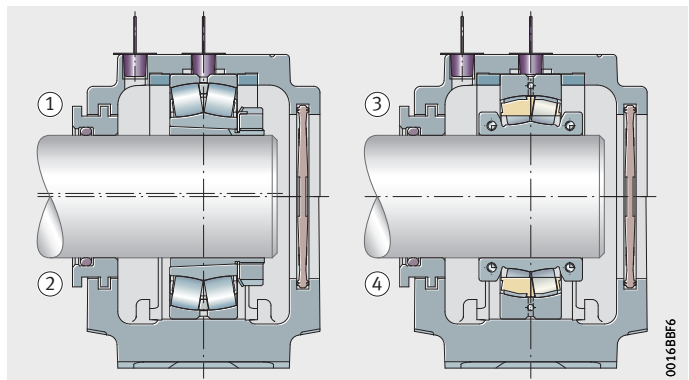


**Mounting
of split spherical roller bearings**

In the case of plummer block housings SES, an unsplit spherical roller bearing with a tapered bore and adapter sleeve can be replaced by a split spherical roller bearing, *Figure 4*.

- ① Locating bearing
with unsplit bearing
- ② Non-locating bearing
with unsplit bearing
- ③ Locating bearing
with split bearing
- ④ Non-locating bearing
with split bearing

Figure 4
Plummer block housings SES
with split and
unsplit spherical roller bearing



Split plumber block housings SES

Lubrication Split plumber block housings SES are principally intended for grease lubrication.

Greases In order to achieve a long operating life and high operational security of the bearing arrangement, we recommend the use of Arcanol rolling bearing greases. These have been designed and tested for bearing arrangement engineering.

- Further information**
- Technical Product Information
TPI 168, Arcanol Rolling Bearing Greases
<https://www.schaeffler.de/std/1F66>
 - Technical Product Information
TPI 176, Lubrication of Rolling Bearings
<https://www.schaeffler.de/std/1F83>

Grease quantities for initial greasing For initial greasing, the basic rule is that the bearing should be filled with grease to 100% and the free volume of the housing to 60%. The free volume is the space that remains in the housing once the bearing, adapter sleeve, shaft and seals have been fitted. The recommended grease quantity can also be stated in grams once the density of the grease has been taken into consideration, see table.

The recommended grease quantity takes account of the following:

- filling of the free volume to 60%
- grease with a density of 0,9 g/cm³

Recommended grease quantity for initial greasing

| Housing | | Free volume (100%) cm ³ | Recommended grease quantity ≈ g |
|------------|------------|---------------------------------------|------------------------------------|
| SES505 | SES205 | 72 | 39 |
| SES506-605 | SES206-305 | 118 | 64 |
| SES507-606 | SES207 | 145 | 78 |
| SES508-607 | SES208-307 | 164 | 89 |
| SES509 | SES209 | 184 | 99 |
| SES510-608 | SES210 | 211 | 114 |
| SES511-609 | SES211 | 263 | 142 |
| SES512-610 | SES212 | 388 | 210 |
| SES513-611 | SES213 | 474 | 256 |
| – | SES214 | 537 | 290 |
| SES515-612 | SES215 | 605 | 327 |
| SES516-613 | SES216 | 816 | 441 |
| SES517 | SES217 | 961 | 519 |
| SES518-615 | SES218 | 1 250 | 675 |
| SES519-616 | – | 1 421 | 767 |
| SES520-617 | – | 1 855 | 1 002 |
| SES618-318 | – | 1 759 | 950 |
| SES522-619 | – | 2 513 | 1 357 |
| SES524-620 | – | 2 974 | 1 606 |
| SES526 | – | 3 289 | 1 776 |
| SES622-322 | – | 3 148 | 1 700 |
| SES528 | – | 4 211 | 2 274 |
| SES624-324 | – | 3 704 | 2 000 |
| SES530 | – | 5 132 | 2 771 |
| SES532 | – | 6 053 | 3 268 |

Grease quantities for relubrication

The grease quantities required for relubrication can be calculated using the electronic product selection and advisory system **medias** at <http://medias.schaeffler.de>.

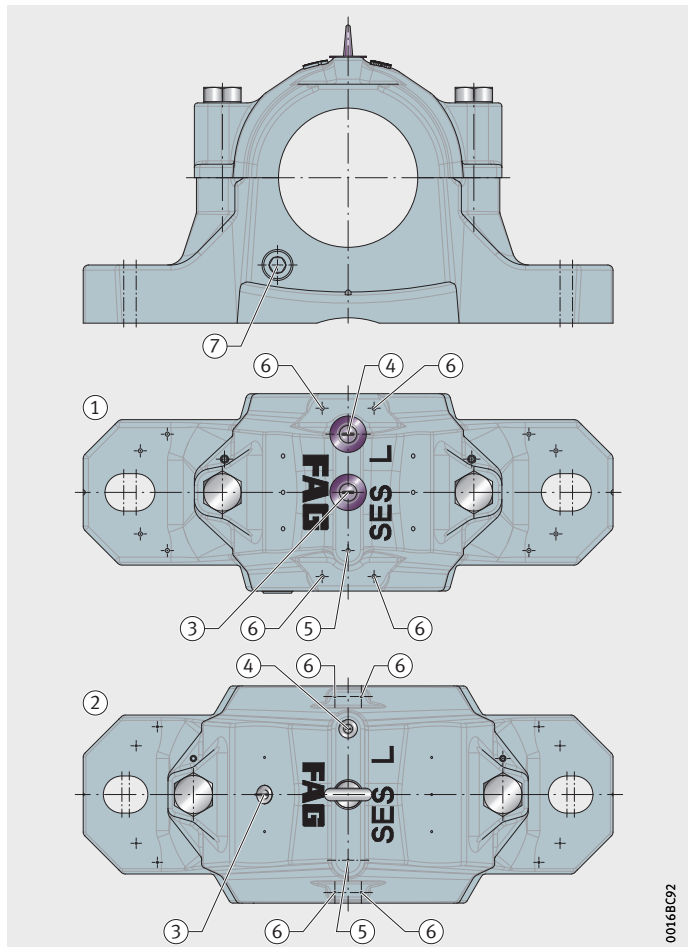
Relubrication

Where relubrication is carried out on bearings with a circumferential lubrication groove, the grease is introduced into the housing via the central lubrication hole, *Figure 5*, ③. In this type of relubrication, the grease acts directly on the bearing raceway.

Where relubrication is carried out on bearings without a lubrication groove, the grease is introduced laterally into the housing, *Figure 5*, ④. In this case, the housing cavities on the side with the lubrication nipple must be filled completely with grease so that the relubrication grease can act immediately on the bearing.

- ① SES505 to SES522-619 and SES205 to SES218
- ② SES524-620 to SES532
- ③ Central lubrication hole, for bearings with lubrication groove
- ④ Lateral lubrication hole, for bearings without lubrication groove
- ⑤ Marked positions for further lubrication holes for lubrication of the bearing
- ⑥ Marked positions for lubrication holes for lubrication of seals
- ⑦ Grease outlet hole

Figure 5
Positions for relubrication



Split plumber block housings SES

In both cases, the lubrication hole present (threaded hole M10×1) is prepared by removing the closing plug and permanently inserting one of the lubrication nipples supplied at this point. As an alternative to the lubrication holes already present, lubrication holes may be introduced at other positions as indicated by the cast-in pilot holes, *Figure 5*, ⑤.

Lubrication holes can be introduced at further marked positions for the relubrication of labyrinth seals, *Figure 5*, ⑥.

Grease outlet hole

In order to prevent overgreasing, the screw plug in the grease outlet hole in the lower housing section must be removed while relubrication is being carried out, *Figure 5*, page 17, ⑦. This allows superfluous grease to escape. This must be observed in particular when using double lip seals DH. Otherwise, there is a risk that the double lip seal will be pressed out of the housing. The grease outlet hole must then be closed off again using the screw plug.



If unfavourable environmental conditions are present, there is therefore a risk of contaminant ingress into the housing when the grease outlet holes are opened.

Dimensions

The grease outlet hole is sealed with a screw plug to DIN 906.

Lubrication nipples with a dust cap are supplied as followed:

- button head lubrication nipples to DIN 3404-M10×1
- taper type lubrication nipples to DIN 71412-AM10×1

The size of the grease outlet hole is dependent on the size of the housing, see table, page 19.

Dimensions of threaded holes

| Housing | | Thread for | |
|------------|------------|--------------------|--------------------|
| | | Grease outlet hole | Relubrication hole |
| SES505 | SES205 | M10×1 | M10×1 |
| SES506-605 | SES206-305 | | |
| SES507-606 | SES207 | | |
| SES508-607 | SES208-307 | | |
| SES509 | SES209 | | |
| SES510-608 | SES210 | | |
| SES511-609 | SES211 | M14×1,5 | |
| SES512-610 | SES212 | | |
| SES513-611 | SES213 | | |
| – | SES214 | | |
| SES515-612 | SES215 | M20×1,5 | |
| SES516-613 | SES216 | | |
| SES517 | SES217 | | |
| SES518-615 | SES218 | | |
| SES519-616 | – | | |
| SES520-617 | – | | |
| SES618-318 | – | | |
| SES522-619 | – | | |
| SES524-620 | – | | |
| SES526 | – | | |
| SES622-322 | – | | |
| SES528 | – | | |
| SES624-324 | – | | |
| SES530 | – | | |
| SES532 | – | | |

Split plummer block housings SES

Automatic lubricators

The plummer block housings SES can also be connected directly to automatic lubricators, such as the CONCEPT1 from Schaeffler, *Figure 6*.



Figure 6
Plummer block housing SES
with automatic
lubricator CONCEPT1

Further information

- Technical Product Information
TPI 252, Lubricators for grease and oil lubrication
<https://www.schaeffler.de/std/1F84>

Designation structure

The designation structure of split plummer block housings SES is based on DIN 736 to DIN 739. Due to the modular concept, the same bearings can be installed in a single SES housing as in several of the SN housings referred to in these standards.

For designation structure, see tables and *Figure 7* to *Figure 10*, page 23.

Designation structure of plummer block housings SES

| Feature | Code | Description |
|--|------|--|
| ① Series | SES | Split plummer block housings SES |
| ② Diameter series of bearing, bearing bore | 2 | Bearings of diameter series 2, cylindrical bearing bore |
| | 3 | Bearings of diameter series 3, cylindrical bearing bore |
| | 5 | Bearings of diameter series 2, tapered bearing bore and adapter sleeve |
| | 6 | Bearings of diameter series 3, tapered bearing bore and adapter sleeve |
| ③ Bore code of bearing | 11 | Bore diameter (11 · 5) mm = 55 mm |
| ④ Housing material | L | Flake graphite cast iron (standard) |
| | D | Spheroidal graphite cast iron |



Figure 7
Designation structure of plummer block housings SES, examples

Split plummer block housings SES

Designation structure of standard seals

| Feature | Code | Description |
|--|------------------------|---|
| ① Series | EDH | Double lip seal |
| | EFS | Felt seal |
| | ETS | Labyrinth seal |
| | EDV | V ring seal |
| | ETC | Taconite seal |
| ② Diameter series of bearing, bearing bore | 2 | Bearings of diameter series 2, cylindrical bearing bore |
| | 3 | Bearings of diameter series 3, cylindrical bearing bore |
| | 5 | Bearings of diameter series 2, tapered bearing bore and adapter sleeve |
| | 6 | Bearings of diameter series 3, tapered bearing bore and adapter sleeve |
| ③ Bore code of bearing | 11 | Bore diameter (11 · 5) mm = 55 mm |
| ④ Shaft diameter | No further indications | Standard shaft diameter of dimension series |
| | X115 | Inch size shaft diameter: 1 inch + 15 · 1/16 inch = 1 ¹⁵ /16 inch |

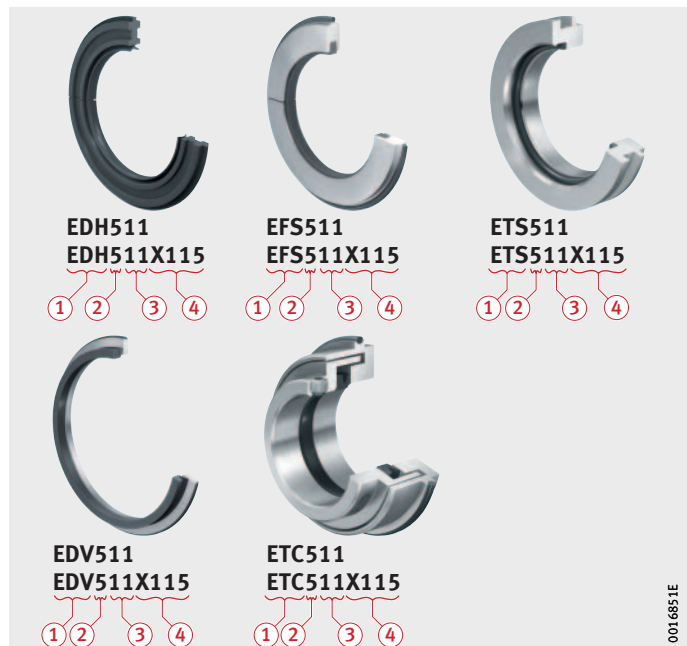


Figure 8
Designation structure of standard seals, examples

Designation structure of covers

| Feature | Code | Description |
|----------------|---------|---------------------------------------|
| ① Series | EDK | Cover made from plastic |
| | EDKT | Cover made from steel and FKM |
| ② Housing size | 511-609 | Cover suitable for housing SES511-609 |



Figure 9
Designation structure of covers, examples

Designation structure of locating rings

| Feature | Code | Description |
|--------------------|------|-------------------------|
| ① Series | FRM | Locating ring |
| ② Outside diameter | 100 | Outside diameter 100 mm |
| ③ Width | 9,5 | Width 9,5 mm |

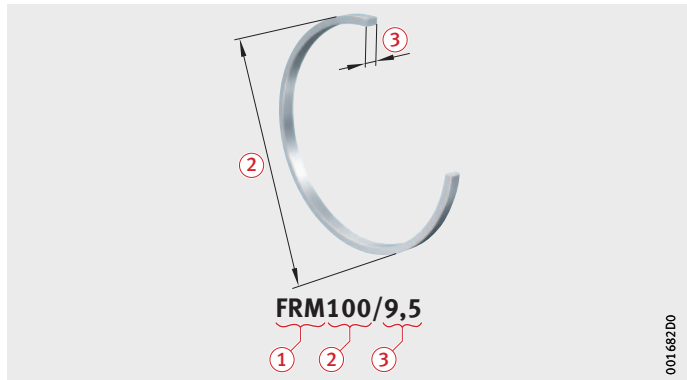


Figure 10
Designation structure of locating rings, example

Split plummer block housings SES

Ordering examples

When a split plummer block housing SES is ordered, the housing designation only describes the housing body. The other components such as seals, covers or locating rings must be ordered separately in the specific design required. The rolling bearing and, if necessary, the adapter sleeve must also be ordered separately.

Plummer block housings SES with a bearing fitted give non-locating bearing arrangements. These can be converted into locating bearing arrangements through the additional insertion of locating rings FRM.

The ordering examples show the construction of an order for selected housing configurations and the appropriate bearings. For the allocation of housings, bearings and accessories for all housing sizes, see the dimension tables.

Example 1 Plummer block housing SES made from flake graphite cast iron, closed on one side, spherical roller bearing 22211-E1-XL-K as locating bearing, location by means of an adapter sleeve on shaft diameter of 50 mm, double lip seal.

| | | |
|-------|----------------------------|---------------|
| Order | 1 plummer block housing | SES511-609-L |
| | 1 spherical roller bearing | 22211-E1-XL-K |
| | 1 adapter sleeve | H311 |
| | 2 locating rings | FRM100/9,5 |
| | 1 cover | EDK511-609 |
| | 1 double lip seal | EDH511 |
| | (2 pieces per pack) | |

Example 2 Plummer block housing SES made from flake graphite cast iron, continuous shaft, split spherical roller bearing 222SM70-TVPA as locating bearing, felt seal.

| | | |
|-------|----------------------------------|--------------|
| Order | 1 plummer block housing | SES516-613-L |
| | 1 split spherical roller bearing | 222SM70-TVPA |
| | 2 locating rings | FRM140/12,5 |
| | 2 double lip seals | EDH516 |
| | (2 pieces per pack) | |

Example 3 Plummer block housing SES made from spheroidal graphite cast iron with 4 holes for foot screws, closed on one side, spherical roller bearing 23218-E1-XL-TVPB as non-locating bearing, Taconite seal.

| | | |
|-------|----------------------------|------------------|
| Order | 1 plummer block housing | SES218-D-G944DB |
| | 1 spherical roller bearing | 23218-E1-XL-TVPB |
| | 1 shaft nut | KM18 |
| | 1 tab washer | MB18 |
| | 1 cover | EDK218 |
| | 1 Taconite seal | ETC218 |

Design and safety guidelines

Load carrying capacity

Guide values are given for the rupture load of plummer block housings SES and the maximum load carrying capacity of the connecting screws for the upper and lower housing sections, *Figure 11* and table, page 26. The guide values are valid for purely static loading.

The guide values for housing rupture load are valid for the standard housing material flake graphite cast iron (suffix L). For spheroidal graphite cast iron (suffix D) a factor of 1,6 should be applied.

The guide values in the table, page 26, only apply if the flatness of the mounting surface in accordance with DIN EN ISO 1101 corresponds to the tolerance grade IT8 in accordance with DIN EN ISO 286-1 (measured across the diagonal). A precondition for supporting loads is that the housing base surface is completely and rigidly supported.

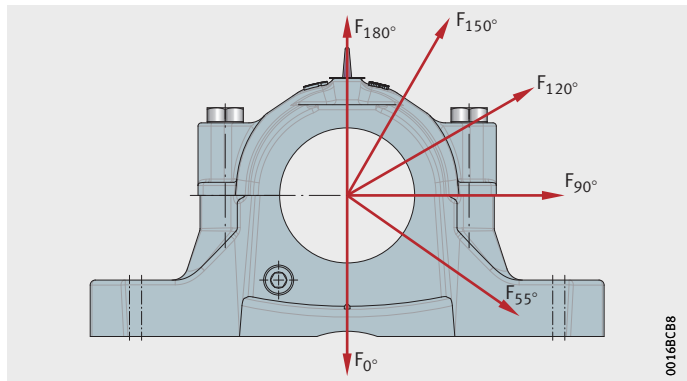
When determining the permissible static load, a safety factor of 6 must be applied relative to the housing rupture load.

A safety factor is not required for the values given for the load carrying capacity of the connecting screws.



If the housing is subjected to axial load, the permissible axial load of the bearing fitted must be taken into consideration. If the bearing is located on the shaft using an adapter sleeve, the axial retaining force of the bearing and adapter sleeve must also be taken into consideration.

Figure 11
Load directions F
for the guide values
for the housing rupture load and
the maximum load carrying capacity
of the connecting screws



Split plumber block housings SES

Guide values
for housing rupture load and
maximum load carrying capacity
of connecting screws,
as well as tightening torques

| Housing | | Housing rupture loads ¹⁾ in load direction F | | |
|------------|------------|--|-----------|-----------|
| | | 0° kN | 55° kN | 90° kN |
| SES505 | SES205 | 100 | 155 | 95 |
| SES506-605 | SES206-305 | 130 | 170 | 100 |
| SES507-606 | SES207 | 140 | 190 | 115 |
| SES508-607 | SES208-307 | 150 | 215 | 130 |
| SES509 | SES209 | 160 | 230 | 140 |
| SES510-608 | SES210 | 170 | 265 | 155 |
| SES511-609 | SES211 | 270 | 290 | 215 |
| SES512-610 | SES212 | 210 | 300 | 180 |
| SES513-611 | SES213 | 270 | 340 | 205 |
| – | SES214 | 270 | 340 | 205 |
| SES515-612 | SES215 | 290 | 410 | 250 |
| SES516-613 | SES216 | 350 | 430 | 260 |
| SES517 | SES217 | 500 | 525 | 420 |
| SES518-615 | SES218 | 430 | 550 | 340 |
| SES519-616 | – | 870 | 670 | 450 |
| SES520-617 | – | 500 | 740 | 660 |
| SES618-318 | – | 550 | 630 | 375 |
| SES522-619 | – | 600 | 680 | 410 |
| SES524-620 | – | 800 | 790 | 470 |
| SES526 | – | 900 | 900 | 540 |
| SES622-322 | – | 950 | 1 000 | 600 |
| SES528 | – | 1 165 | 1 160 | 895 |
| SES624-324 | – | 1 050 | 1 180 | 710 |
| SES530 | – | 1 100 | 1 200 | 730 |
| SES532 | – | 1 300 | 1 450 | 860 |

¹⁾ For housings made from flake graphite cast iron. Housings made from spheroidal graphite cast iron (suffix D) have a housing rupture load that is 1,6 times higher than that of housings made from flake graphite cast iron.

| | | | | Connecting screws | | | | | |
|------------|------------|------------|-------------|---|-------------------------|---|------------|------------|--|
| | | | | Screws in accordance with DIN EN ISO 4014 Material 8.8 | Tightening torque Nm | Maximum load carrying capacity of the four screws with contact between parting surfaces in load direction F | | | |
| 120° kN | 150° kN | 180° kN | axial kN | | | 120° kN | 150° kN | 180° kN | |
| 70 | 60 | 80 | 52 | M10 | 51 | 60 | 35 | 30 | |
| 80 | 65 | 85 | 55 | M10 | 51 | 60 | 35 | 30 | |
| 85 | 80 | 95 | 60 | M10 | 51 | 60 | 35 | 30 | |
| 95 | 85 | 110 | 70 | M10 | 51 | 60 | 35 | 30 | |
| 100 | 90 | 115 | 75 | M10 | 51 | 60 | 35 | 30 | |
| 120 | 110 | 130 | 85 | M10 | 51 | 60 | 35 | 30 | |
| 160 | 130 | 140 | 90 | M12 | 87 | 80 | 45 | 40 | |
| 130 | 120 | 150 | 100 | M12 | 87 | 80 | 45 | 40 | |
| 150 | 130 | 170 | 110 | M12 | 87 | 80 | 45 | 40 | |
| 150 | 130 | 170 | 110 | M12 | 87 | 80 | 45 | 40 | |
| 185 | 160 | 205 | 135 | M12 | 87 | 80 | 45 | 40 | |
| 190 | 175 | 215 | 140 | M12 | 87 | 80 | 45 | 40 | |
| 250 | 205 | 240 | 190 | M12 | 87 | 80 | 45 | 40 | |
| 250 | 215 | 275 | 180 | M16 | 215 | 180 | 100 | 90 | |
| 270 | 230 | 290 | 220 | M16 | 215 | 180 | 100 | 90 | |
| 325 | 270 | 310 | 310 | M20 | 430 | 260 | 150 | 130 | |
| 280 | 250 | 300 | 200 | M20 | 430 | 260 | 150 | 130 | |
| 310 | 275 | 340 | 220 | M20 | 430 | 260 | 150 | 130 | |
| 350 | 320 | 400 | 260 | M20 | 430 | 260 | 150 | 130 | |
| 410 | 360 | 450 | 295 | M24 | 740 | 360 | 210 | 180 | |
| 450 | 400 | 500 | 320 | M24 | 740 | 360 | 210 | 180 | |
| 530 | 435 | 530 | 530 | M24 | 740 | 360 | 210 | 180 | |
| 530 | 475 | 600 | 360 | M24 | 740 | 360 | 210 | 180 | |
| 540 | 480 | 600 | 390 | M24 | 740 | 360 | 210 | 180 | |
| 640 | 570 | 720 | 470 | M24 | 740 | 360 | 210 | 180 | |

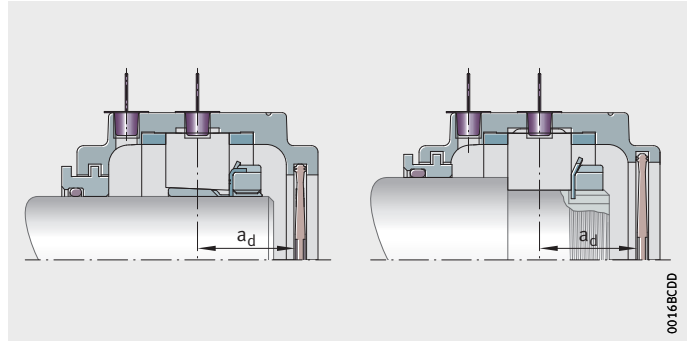
Split plummer block housings SES

Permissible shaft end designs

In the case of a housing closed on one side, the length of the shaft in the housing must be restricted such that no contact occurs between the shaft and the cover. In this case, the displacement facility of the bearing in a non-locating bearing arrangement must be taken into consideration. The basis for determining the permissible length of the shaft is the spacing between the centre of the bearing seat and the cover, *Figure 12* and table.

a_d = spacing between centre of bearing seat and cover

Figure 12
Spacing between centre of bearing seat and cover



Spacing between centre of bearing seat and cover

| Housing | | Spacing a_d mm |
|------------|------------|------------------------|
| SES505 | SES205 | 26 |
| SES506-605 | SES206-305 | 31 |
| SES507-606 | SES207 | 33 |
| SES508-607 | SES208-307 | 34,5 |
| SES509 | SES209 | 33,5 |
| SES510-608 | SES210 | 36 |
| SES511-609 | SES211 | 38,5 |
| SES512-610 | SES212 | 43,5 |
| SES513-611 | SES213 | 46 |
| – | SES214 | 42,25 |
| SES515-612 | SES215 | 48,5 |
| SES516-613 | SES216 | 51 |
| SES517 | SES217 | 53,5 |
| SES518-615 | SES218 | 61 |
| SES519-616 | – | 62,5 |
| SES520-617 | – | 70 |
| SES618-318 | – | 67,25 |
| SES522-619 | – | 77,5 |
| SES524-620 | – | 81,5 |
| SES526 | – | 84 |
| SES622-322 | – | 80,25 |
| SES528 | – | 91,5 |
| SES624-324 | – | 82,75 |
| SES530 | – | 99 |
| SES532 | – | 106,5 |

0016BCDD

Additional holes for foot screws and pins

Split plummer housings SES are generally fixed in place using two foot screws. The housing base has two extended slots for this purpose, to enable good alignment during assembly.

For location on T profiles, four foot screws are required. Cast-in markings indicate the locations at which additional holes can be produced, *Figure 13* and table, page 30.

Further markings indicate the locations at which holes can be produced for pins to secure the position, *Figure 13* and table, page 30.

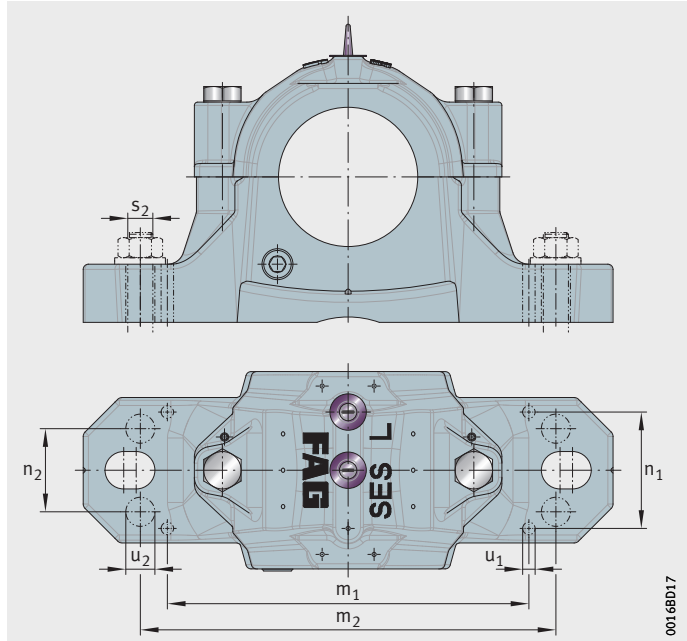


Figure 13
Additional holes
for foot screws and pins

Split plumber block housings SES

Additional holes
for pins and foot screws

| Housing | | Dimensions for | | | | | | |
|------------|------------|----------------------|----------------------|----------------------|----------------------|----------------------|----------------------|----------------|
| | | Pins | | | Screws | | | |
| | | m ₁ mm | n ₁ mm | u ₁ mm | m ₂ mm | n ₂ mm | u ₂ mm | s ₂ |
| SES505 | SES205 | 95 | 32 | 4 | 115 | 25 | – | – |
| SES506-605 | SES206-305 | 115 | 36 | 4 | 130 | 25 | – | – |
| SES507-606 | SES207 | 115 | 37 | 4 | 135 | 25 | – | – |
| SES508-607 | SES208-307 | 135 | 43 | 4 | 160 | 34 | 11 | M10 |
| SES509 | SES209 | 135 | 40 | 4 | 160 | 34 | 11 | M10 |
| SES510-608 | SES210 | 135 | 44 | 6 | 160 | 34 | 11 | M10 |
| SES511-609 | SES211 | 170 | 51 | 6 | 200 | 40 | 14 | M12 |
| SES512-610 | SES212 | 170 | 52 | 6 | 200 | 40 | 14 | M12 |
| SES513-611 | SES213 | 190 | 58 | 6 | 220 | 48 | 14 | M12 |
| – | SES214 | 190 | 52 | 4 | 220 | 48 | 14 | M12 |
| SES515-612 | SES215 | 190 | 60 | 8 | 220 | 48 | 14 | M12 |
| SES516-613 | SES216 | 210 | 65 | 8 | 252 | 52 | 18 | M16 |
| SES517 | SES217 | 210 | 66 | 8 | 252 | 52 | 18 | M16 |
| SES518-615 | SES218 | 240 | 72 | 8 | 280 | 58 | 18 | M16 |
| SES519-616 | – | 240 | 74 | 8 | 280 | 58 | 18 | M16 |
| SES520-617 | – | 261 | 80 | 8 | 300 | 66 | 18 | M16 |
| SES618-318 | – | 276 | 84 | 8 | 300 | 66 | 18 | M16 |
| SES522-619 | – | 291 | 88 | 8 | 320 | 74 | 18 | M16 |
| SES524-620 | – | 297 | 91 | 8 | 330 | 74 | 18 | M16 |
| SES526 | – | 325 | 97 | 10 | 370 | 80 | 22 | M20 |
| SES622-322 | – | 338 | 96 | 10 | 370 | 80 | 22 | M20 |
| SES528 | – | 342 | 109 | 12 | 400 | 92 | 26 | M24 |
| SES624-324 | – | 378 | 120 | 12 | 430 | 100 | 26 | M24 |
| SES530 | – | 372 | 116 | 12 | 430 | 100 | 26 | M24 |
| SES532 | – | 392 | 120 | 12 | 450 | 100 | 26 | M24 |

**Housing with 4 holes
for foot screws**

Housings with 4 holes for foot screws are available as a special design by agreement, *Figure 14*. These are indicated by the suffix G944DB in the ordering designation.



Figure 14
Split plummer block housing SES
with 4 holes for foot screws

00168249

Split plummer block housings SES

Mounting and dismounting

Correct mounting has a decisive influence on the achievable bearing life. For this reason, careful attention must be paid to the following information.

Surface quality of the mounting surface

The requirements for the surface on which the housing is to be mounted are as follows:

- sufficiently robust to withstand the static and dynamic loads occurring in operation over the long term
- surface roughness $R_a \leq 12,5$
- flatness tolerance to IT7, measured across the diagonal
- free from colour

Compliance with these requirements is the basis for the operational security of the housing and a long operating life of the bearing fitted.

Horizontal fixing of the housing

In addition to the foot screws, horizontal fixing of the housing is necessary if one of the following conditions is fulfilled:

- The load angle is between 55° and 120° , *Figure 11*, page 25.
- Axial load is present.

Horizontal fixing can be carried out by means of stops in the load direction or by means of pins.

Eye bolts

In the case of housing size SES524-620 and larger, the upper housing section has an eye bolt in accordance with DIN 580. This is intended as a locating point for mounting and dismounting of the housing. The load carrying capacity of the eye bolt allows lifting of the housing including a bearing fitted in the housing.



Eye bolts must always be screwed fully into the housing.

Eye bolts should only be used for lifting the housing including the bearing fitted in the housing. During lifting by means of the eye bolts, no other machine or plant components should be connected to the housing.

Foot screws

Foot screws are used for screw mounting the housings to the locating surface. They are not included in the scope of delivery of the housings.

The appropriate screw size is stated for each housing, see dimension tables.

The following table contains tightening torques for metric coarse pitch threads in accordance with DIN 13, DIN 962 and DIN ISO 965-2 as well as head contact dimensions in accordance with DIN EN ISO 4014, DIN EN ISO 4017, DIN EN ISO 4032, DIN EN ISO 4762, DIN 6912, DIN 7984, DIN 7990 and DIN EN ISO 8673.

The maximum tightening torques are valid with 90% utilisation of the yield stress of the screw material 8.8 and a friction factor of 0,14. We recommend that foot screws should be tightened to approximately 70% of these values, see table.

Tightening torques for foot screws with metric thread in accordance with DIN 13, DIN ISO 962 and DIN ISO 965-2

| Housing | | Nominal screw diameter | Maximum tightening torque Nm | Recommended tightening torque Nm |
|------------|------------|------------------------|---------------------------------|-------------------------------------|
| SES505 | SES205 | M12 | 93 | 65 |
| SES506-605 | SES206-305 | | | |
| SES507-606 | SES207 | | | |
| SES508-607 | SES208-307 | | | |
| SES509 | SES209 | | | |
| SES510-608 | SES210 | | | |
| SES511-609 | SES211 | M16 | 230 | 160 |
| SES512-610 | SES212 | | | |
| SES513-611 | SES213 | | | |
| – | SES214 | | | |
| SES515-612 | SES215 | | | |
| SES516-613 | SES216 | M20 | 464 | 325 |
| SES517 | SES217 | | | |
| SES518-615 | SES218 | | | |
| SES519-616 | – | | | |
| SES520-617 | – | M24 | 798 | 550 |
| SES618-318 | – | | | |
| SES522-619 | – | | | |
| SES524-620 | – | | | |
| SES526 | – | | | |
| SES622-322 | – | | | |
| SES528 | – | M30 | 1 597 | 11 000 |
| SES624-324 | – | | | |
| SES530 | – | | | |
| SES532 | – | | | |

Split plummer block housings SES

Location of bearings with a tapered bore on the shaft

Bearings with a tapered bore are located on the shaft in plummer block housings SES by means of adapter sleeves. The adapter sleeve is slid onto the shaft first and the bearing is then slid onto the taper of the adapter sleeve. As a result, the radial internal clearance of the bearing is reduced. At the same time, a radial preload occurs between the bearing inner ring, adapter sleeve and shaft, ensuring the rigid seating of the bearing on the shaft.

Schaeffler hydraulic nuts can be used to aid the pressing-on operation. The reduction in the radial internal clearance is determined in the case of spherical roller bearings by measurement of the residual clearance using feeler gauges.

The values given for the reduction in the radial internal clearance and the drive-up distance on the taper lead to rigid seating of the bearing on the shaft, see table.

Reduction in the radial internal clearance and drive-up distance on the taper 1:12

| Nominal bearing bore diameter | | Reduction in radial internal clearance | | Drive-up distance on taper 1:12 | | | | Minimum radial internal clearance after mounting, control value for | | |
|-------------------------------|-------|--|-------|---------------------------------|------|--------|------|---|---------|---------|
| | | | | Shaft | | Sleeve | | Group N | Group 3 | Group 4 |
| over | incl. | min. | max. | min. | max. | min. | max. | mm | mm | mm |
| 24 | 30 | 0,015 | 0,02 | 0,3 | 0,35 | 0,3 | 0,4 | 0,015 | 0,02 | 0,035 |
| 30 | 40 | 0,02 | 0,025 | 0,35 | 0,4 | 0,35 | 0,45 | 0,015 | 0,025 | 0,04 |
| 40 | 50 | 0,025 | 0,03 | 0,4 | 0,45 | 0,45 | 0,5 | 0,02 | 0,03 | 0,05 |
| 50 | 65 | 0,03 | 0,04 | 0,45 | 0,6 | 0,5 | 0,7 | 0,025 | 0,035 | 0,055 |
| 65 | 80 | 0,04 | 0,05 | 0,6 | 0,75 | 0,7 | 0,85 | 0,025 | 0,04 | 0,07 |
| 80 | 100 | 0,045 | 0,06 | 0,7 | 0,9 | 0,75 | 1 | 0,035 | 0,05 | 0,08 |
| 100 | 120 | 0,05 | 0,07 | 0,7 | 1,1 | 0,8 | 1,2 | 0,05 | 0,065 | 0,1 |
| 120 | 140 | 0,065 | 0,09 | 1,1 | 1,4 | 1,2 | 1,5 | 0,055 | 0,08 | 0,11 |
| 140 | 160 | 0,075 | 0,1 | 1,2 | 1,6 | 1,3 | 1,7 | 0,055 | 0,09 | 0,13 |

Location of bearings with a cylindrical bore on the shaft

Bearings with a cylindrical bore are mounted in plummer block housings SES on a stepped shaft. The bearing and then a spacer sleeve are slid onto the shaft. The outside diameter of the spacer sleeve must be selected such that it corresponds to the larger diameter of the stepped shaft. The seal is then slid onto the spacer sleeve. In the case of a housing closed on one side, a spacer sleeve is not used.

Spacer sleeves are not included in the scope of delivery of the housings.

Further information

- Mounting Manual MON 92, Split Plummer Block Housings SES
<https://www.schaeffler.de/std/1F87>
- Machining tolerances for shafts: Catalogue HR 1, Rolling Bearings
<https://www.schaeffler.de/std/1F85>
- Detailed information on mounting of rotary bearings: MH 1, Mounting Handbook
<https://www.schaeffler.de/std/1F86>

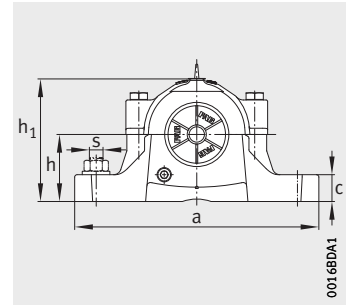
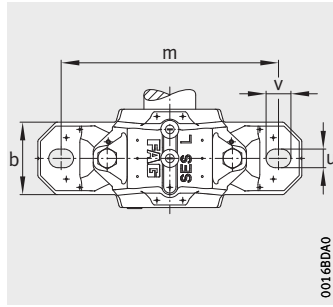
Accuracy

The bearing seat in split plummer block housings SES is machined to the tolerance class G7. The tolerance indicated is valid in the delivered condition, i.e. before the screws connecting the upper and lower sections are loosened.

By agreement, the housings can also be supplied with other tolerance classes for the bearing seat. If necessary, please contact us.

Plummer block housings

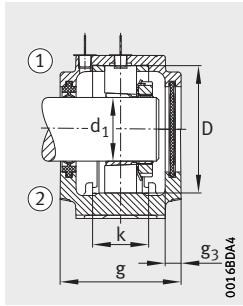
SES, split
For bearings with tapered bore and adapter sleeve
Metric shaft



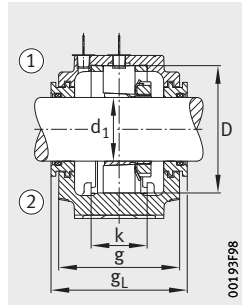
Dimension table · Dimensions in mm

| Shaft d_1 mm | Housing Dimensions | | | | | | | | | | | | | Bearing and accessories | | |
|----------------------|--------------------|-------|----|----|----|-----|-----|----|----|-----|----|----|-------|-------------------------|----------------|---------------------------|
| | h | h_1 | g | b | c | a | m | v | u | s | D | k | g_3 | Bearing | Adapter sleeve | Locating ring 2 pieces |
| 20 | 40 | 74 | 67 | 46 | 19 | 165 | 130 | 20 | 15 | M12 | 52 | 25 | 10 | 1205-K | H205 | FRM52/5 |
| 20 | 50 | 89 | 77 | 52 | 22 | 185 | 150 | 20 | 15 | M12 | 62 | 32 | 10 | 1305-K | H305 | FRM62/7,5 |
| 20 | 50 | 89 | 77 | 52 | 22 | 185 | 150 | 20 | 15 | M12 | 62 | 32 | 10 | 20305..-K | H305 | FRM62/7,5 |
| 20 | 40 | 74 | 67 | 46 | 19 | 165 | 130 | 20 | 15 | M12 | 52 | 25 | 10 | 2205-K | H305 | FRM52/3,5 |
| 20 | 40 | 74 | 67 | 46 | 19 | 165 | 130 | 20 | 15 | M12 | 52 | 25 | 10 | 22205..-K | H305 | FRM52/3,5 |
| 20 | 50 | 89 | 77 | 52 | 22 | 185 | 150 | 20 | 15 | M12 | 62 | 32 | 10 | 2305-K | H2305 | FRM62/4 |
| 25 | 50 | 89 | 77 | 52 | 22 | 185 | 150 | 20 | 15 | M12 | 62 | 32 | 10 | 1206-K | H206 | FRM62/8 |
| 25 | 50 | 93 | 82 | 52 | 22 | 185 | 150 | 20 | 15 | M12 | 72 | 34 | 11 | 1306-K | H306 | FRM72/7,5 |
| 25 | 50 | 89 | 77 | 52 | 22 | 185 | 150 | 20 | 15 | M12 | 62 | 32 | 10 | 20206..-K | H206 | FRM62/8 |
| 25 | 50 | 93 | 82 | 52 | 22 | 185 | 150 | 20 | 15 | M12 | 72 | 34 | 11 | 20306..-K | H306 | FRM72/7,5 |
| 25 | 50 | 93 | 82 | 52 | 22 | 185 | 150 | 20 | 15 | M12 | 72 | 34 | 11 | 21306..-K | H306 | FRM72/7,5 |
| 25 | 50 | 89 | 77 | 52 | 22 | 185 | 150 | 20 | 15 | M12 | 62 | 32 | 10 | 2206-K | H306 | FRM62/6 |
| 25 | 50 | 89 | 77 | 52 | 22 | 185 | 150 | 20 | 15 | M12 | 62 | 32 | 10 | 22206..-K | H306 | FRM62/6 |
| 25 | 50 | 93 | 82 | 52 | 22 | 185 | 150 | 20 | 15 | M12 | 72 | 34 | 11 | 2306-K | H2306 | FRM72/3,5 |
| 30 | 50 | 93 | 82 | 52 | 22 | 185 | 150 | 20 | 15 | M12 | 72 | 34 | 11 | 1207-K | H207 | FRM72/8,5 |
| 30 | 60 | 108 | 85 | 60 | 25 | 205 | 170 | 20 | 15 | M12 | 80 | 39 | 11 | 1307-K | H307 | FRM80/9 |
| 30 | 50 | 93 | 82 | 52 | 22 | 185 | 150 | 20 | 15 | M12 | 72 | 34 | 11 | 20207..-K | H207 | FRM72/8,5 |
| 30 | 60 | 108 | 85 | 60 | 25 | 205 | 170 | 20 | 15 | M12 | 80 | 39 | 11 | 20307-K | H307 | FRM80/9 |
| 30 | 60 | 108 | 85 | 60 | 25 | 205 | 170 | 20 | 15 | M12 | 80 | 39 | 11 | 21307..-K | H307 | FRM80/9 |
| 30 | 50 | 93 | 82 | 52 | 22 | 185 | 150 | 20 | 15 | M12 | 72 | 34 | 11 | 2207-K | H307 | FRM72/5,5 |
| 30 | 50 | 93 | 82 | 52 | 22 | 185 | 150 | 20 | 15 | M12 | 72 | 34 | 11 | 22207..-K | H307 | FRM72/5,5 |
| 30 | 60 | 108 | 85 | 60 | 25 | 205 | 170 | 20 | 15 | M12 | 80 | 39 | 11 | 2307-K | H2307 | FRM80/4 |
| 35 | 60 | 108 | 85 | 60 | 25 | 205 | 170 | 20 | 15 | M12 | 80 | 39 | 11 | 1208-K | H208 | FRM80/10,5 |
| 35 | 60 | 113 | 90 | 60 | 25 | 205 | 170 | 20 | 15 | M12 | 90 | 41 | 12 | 1308-K | H308 | FRM90/9 |
| 35 | 60 | 108 | 85 | 60 | 25 | 205 | 170 | 20 | 15 | M12 | 80 | 39 | 11 | 20208-K | H208 | FRM80/10,5 |
| 35 | 60 | 113 | 90 | 60 | 25 | 205 | 170 | 20 | 15 | M12 | 90 | 41 | 12 | 20308-K | H308 | FRM90/9 |
| 35 | 60 | 113 | 90 | 60 | 25 | 205 | 170 | 20 | 15 | M12 | 90 | 41 | 12 | 21308..-K | H308 | FRM90/9 |
| 35 | 60 | 108 | 85 | 60 | 25 | 205 | 170 | 20 | 15 | M12 | 80 | 39 | 11 | 2208-K | H308 | FRM80/8 |
| 35 | 60 | 108 | 85 | 60 | 25 | 205 | 170 | 20 | 15 | M12 | 80 | 39 | 11 | 22208..-K | H308 | FRM80/8 |
| 35 | 60 | 113 | 90 | 60 | 25 | 205 | 170 | 20 | 15 | M12 | 90 | 41 | 12 | 22308..-K | H2308 | FRM90/4 |
| 35 | 60 | 113 | 90 | 60 | 25 | 205 | 170 | 20 | 15 | M12 | 90 | 41 | 12 | 2308-K | H2308 | FRM90/4 |

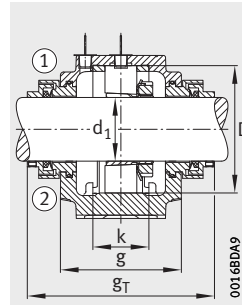
① Locating bearing. ② Non-locating bearing.



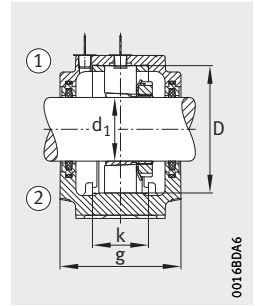
Double lip seal EDH
Cover EDK



Labyrinth seal ETS



Taconite seal ETC

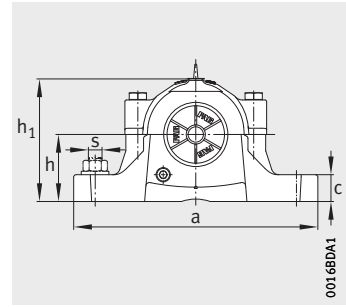
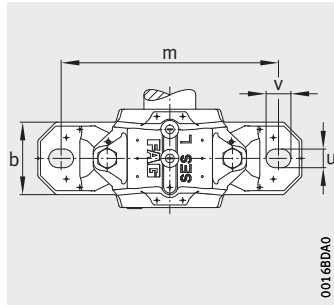


Felt seal EFS

| | | | | | | | | Housing | | |
|-----------------|------------|----------------|----------------------|-------------|----------------------|---------------|----------------------|------------|-------------------|---------------------|
| Double lip seal | Felt seal | Labyrinth seal | | V ring seal | | Taconite seal | | Cover | Mass m ≈ kg | Designation |
| | | | g _L mm | | g _v mm | | g _T mm | | | |
| – | EFS505 | ETS505 | 80 | EDV505 | 67 | ETC505 | 125 | EDK505 | 1,45 | SES505-L |
| EDH605 | EFS605 | ETS605 | 89 | EDV605 | 77 | ETC605 | 135 | EDK506-605 | 2,12 | SES506-605-L |
| EDH605 | EFS605 | ETS605 | 89 | EDV605 | 77 | ETC605 | 135 | EDK506-605 | 2,12 | SES506-605-L |
| – | EFS505 | ETS505 | 80 | EDV505 | 67 | ETC505 | 125 | EDK505 | 1,45 | SES505-L |
| – | EFS505 | ETS505 | 80 | EDV505 | 67 | ETC505 | 125 | EDK505 | 1,45 | SES505-L |
| EDH605 | EFS605 | ETS605 | 89 | EDV605 | 77 | ETC605 | 135 | EDK506-605 | 2,12 | SES506-605-L |
| EDH506 | EFS506 | ETS506 | 89 | EDV506 | 77 | ETC506 | 135 | EDK506-605 | 2,12 | SES506-605-L |
| – | EFS606 | ETS606 | 94 | EDV606 | 82 | ETC606 | 140 | EDK507-606 | 2,27 | SES507-606-L |
| EDH506 | EFS506 | ETS506 | 89 | EDV506 | 77 | ETC506 | 135 | EDK506-605 | 2,12 | SES506-605-L |
| – | EFS606 | ETS606 | 94 | EDV606 | 82 | ETC606 | 140 | EDK507-606 | 2,27 | SES507-606-L |
| – | EFS606 | ETS606 | 94 | EDV606 | 82 | ETC606 | 140 | EDK507-606 | 2,27 | SES507-606-L |
| EDH506 | EFS506 | ETS506 | 89 | EDV506 | 77 | ETC506 | 135 | EDK506-605 | 2,12 | SES506-605-L |
| EDH506 | EFS506 | ETS506 | 89 | EDV506 | 77 | ETC506 | 135 | EDK506-605 | 2,12 | SES506-605-L |
| – | EFS606 | ETS606 | 94 | EDV606 | 82 | ETC606 | 140 | EDK507-606 | 2,27 | SES507-606-L |
| EDH507-305 | EFS507-305 | ETS507-305 | 94 | EDV507-305 | 81 | ETC507-305 | 144 | EDK507-606 | 2,27 | SES507-606-L |
| EDH607 | EFS607 | ETS607 | 97 | EDV607 | 85 | ETC607 | 145 | EDK508-607 | 2,95 | SES508-607-L |
| EDH507-305 | EFS507-305 | ETS507-305 | 94 | EDV507-305 | 81 | ETC507-305 | 144 | EDK507-606 | 2,27 | SES507-606-L |
| EDH607 | EFS607 | ETS607 | 97 | EDV607 | 85 | ETC607 | 145 | EDK508-607 | 2,95 | SES508-607-L |
| EDH607 | EFS607 | ETS607 | 97 | EDV607 | 85 | ETC607 | 145 | EDK508-607 | 2,95 | SES508-607-L |
| EDH507-305 | EFS507-305 | ETS507-305 | 94 | EDV507-305 | 81 | ETC507-305 | 144 | EDK507-606 | 2,27 | SES507-606-L |
| EDH507-305 | EFS507-305 | ETS507-305 | 94 | EDV507-305 | 81 | ETC507-305 | 144 | EDK507-606 | 2,27 | SES507-606-L |
| EDH607 | EFS607 | ETS607 | 97 | EDV607 | 85 | ETC607 | 145 | EDK508-607 | 2,95 | SES508-607-L |
| EDH508 | EFS508 | ETS508 | 97 | EDV508 | 85 | ETC508 | 150 | EDK508-607 | 2,95 | SES508-607-L |
| EDH608 | EFS608 | ETS608 | 102 | EDV608 | 90 | ETC608 | 150 | EDK510-608 | 3,27 | SES510-608-L |
| EDH508 | EFS508 | ETS508 | 97 | EDV508 | 85 | ETC508 | 150 | EDK508-607 | 2,95 | SES508-607-L |
| EDH608 | EFS608 | ETS608 | 102 | EDV608 | 90 | ETC608 | 150 | EDK510-608 | 3,27 | SES510-608-L |
| EDH508 | EFS508 | ETS508 | 97 | EDV508 | 85 | ETC508 | 150 | EDK508-607 | 2,95 | SES508-607-L |
| EDH508 | EFS508 | ETS508 | 97 | EDV508 | 85 | ETC508 | 150 | EDK508-607 | 2,95 | SES508-607-L |
| EDH608 | EFS608 | ETS608 | 102 | EDV608 | 90 | ETC608 | 150 | EDK510-608 | 3,27 | SES510-608-L |
| EDH608 | EFS608 | ETS608 | 102 | EDV608 | 90 | ETC608 | 150 | EDK510-608 | 3,27 | SES510-608-L |

Plummer block housings

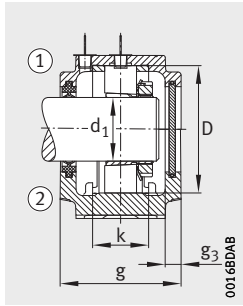
SES, split
For bearings with tapered bore and adapter sleeve
Metric shaft



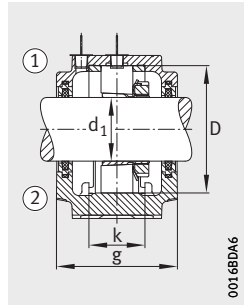
Dimension table (continued) · Dimensions in mm

| Shaft d_1 mm | Housing Dimensions | | | | | | | | | | | | | Bearing and accessories | | |
|----------------------|--------------------|-------|-----|----|----|-----|-----|----|----|-----|-----|----|-------|-------------------------|----------------|---------------------------|
| | h | h_1 | g | b | c | a | m | v | u | s | D | k | g_3 | Bearing | Adapter sleeve | Locating ring 2 pieces |
| 40 | 60 | 109 | 85 | 60 | 25 | 205 | 170 | 20 | 15 | M12 | 85 | 30 | 12 | 1209-K | H209 | FRM85/5,5 |
| 40 | 70 | 128 | 95 | 70 | 28 | 255 | 210 | 24 | 18 | M16 | 100 | 44 | 12 | 1309-K | H309 | FRM100/9,5 |
| 40 | 60 | 109 | 85 | 60 | 25 | 205 | 170 | 20 | 15 | M12 | 85 | 30 | 12 | 20209-K | H209 | FRM85/5,5 |
| 40 | 70 | 128 | 95 | 70 | 28 | 255 | 210 | 24 | 18 | M16 | 100 | 44 | 12 | 20309-K | H309 | FRM100/9,5 |
| 40 | 70 | 128 | 95 | 70 | 28 | 255 | 210 | 24 | 18 | M16 | 100 | 44 | 12 | 21309...K | H309 | FRM100/9,5 |
| 40 | 60 | 109 | 85 | 60 | 25 | 205 | 170 | 20 | 15 | M12 | 85 | 30 | 12 | 2209-K | H309 | FRM85/3,5 |
| 40 | 60 | 109 | 85 | 60 | 25 | 205 | 170 | 20 | 15 | M12 | 85 | 30 | 12 | 22209...K | H309 | FRM85/3,5 |
| 40 | 70 | 128 | 95 | 70 | 28 | 255 | 210 | 24 | 18 | M16 | 100 | 44 | 12 | 22309...K | H2309 | FRM100/4 |
| 40 | 70 | 128 | 95 | 70 | 28 | 255 | 210 | 24 | 18 | M16 | 100 | 44 | 12 | 2309-K | H2309 | FRM100/4 |
| 45 | 60 | 113 | 90 | 60 | 25 | 205 | 170 | 20 | 15 | M12 | 90 | 41 | 12 | 1210-K | H210 | FRM90/10,5 |
| 45 | 70 | 134 | 105 | 70 | 30 | 255 | 210 | 24 | 18 | M16 | 110 | 48 | 12 | 1310-K | H310 | FRM110/10,5 |
| 45 | 60 | 113 | 90 | 60 | 25 | 205 | 170 | 20 | 15 | M12 | 90 | 41 | 12 | 20210-K | H210 | FRM90/10,5 |
| 45 | 70 | 134 | 105 | 70 | 30 | 255 | 210 | 24 | 18 | M16 | 110 | 48 | 12 | 20310-K | H310 | FRM110/10,5 |
| 45 | 70 | 134 | 105 | 70 | 30 | 255 | 210 | 24 | 18 | M16 | 110 | 48 | 12 | 21310...K | H310 | FRM110/10,5 |
| 45 | 60 | 113 | 90 | 60 | 25 | 205 | 170 | 20 | 15 | M12 | 90 | 41 | 12 | 2210-K | H310 | FRM90/9 |
| 45 | 60 | 113 | 90 | 60 | 25 | 205 | 170 | 20 | 15 | M12 | 90 | 41 | 12 | 22210...K | H310 | FRM90/9 |
| 45 | 70 | 134 | 105 | 70 | 30 | 255 | 210 | 24 | 18 | M16 | 110 | 48 | 12 | 22310...K | H2310 | FRM110/4 |
| 45 | 70 | 134 | 105 | 70 | 30 | 255 | 210 | 24 | 18 | M16 | 110 | 48 | 12 | 2310-K | H2310 | FRM110/4 |
| 50 | 70 | 128 | 95 | 70 | 28 | 255 | 210 | 24 | 18 | M16 | 100 | 44 | 12 | 1211-K | H211 | FRM100/11,5 |
| 50 | 80 | 150 | 110 | 80 | 30 | 275 | 230 | 24 | 18 | M16 | 120 | 51 | 13 | 1311-K | H311 | FRM120/11 |
| 50 | 70 | 128 | 95 | 70 | 28 | 255 | 210 | 24 | 18 | M16 | 100 | 44 | 12 | 20211-K | H211 | FRM100/11,5 |
| 50 | 80 | 150 | 110 | 80 | 30 | 275 | 230 | 24 | 18 | M16 | 120 | 51 | 13 | 20311-K | H311 | FRM120/11 |
| 50 | 80 | 150 | 110 | 80 | 30 | 275 | 230 | 24 | 18 | M16 | 120 | 51 | 13 | 21311...K | H311 | FRM120/11 |
| 50 | 70 | 128 | 95 | 70 | 28 | 255 | 210 | 24 | 18 | M16 | 100 | 44 | 12 | 2211-K | H311 | FRM100/9,5 |
| 50 | 70 | 128 | 95 | 70 | 28 | 255 | 210 | 24 | 18 | M16 | 100 | 44 | 12 | 22211...K | H311 | FRM100/9,5 |
| 50 | 80 | 150 | 110 | 80 | 30 | 275 | 230 | 24 | 18 | M16 | 120 | 51 | 13 | 22311...K | H2311 | FRM120/4 |
| 50 | 80 | 150 | 110 | 80 | 30 | 275 | 230 | 24 | 18 | M16 | 120 | 51 | 13 | 2311-K | H2311 | FRM120/4 |

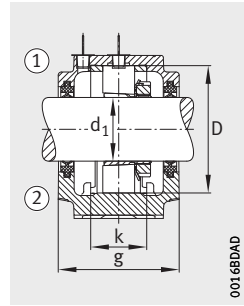
① Locating bearing. ② Non-locating bearing.



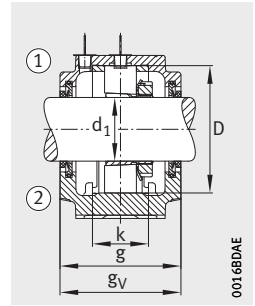
Double lip seal EDH
Cover EDKT



Felt seal EFS



Double lip seal EDH

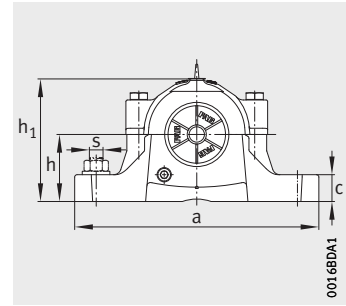
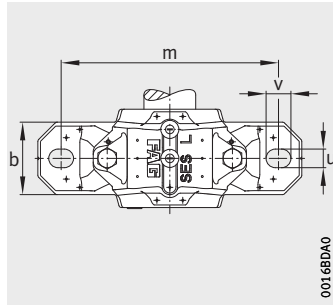


V ring seal EDH

| | | | | | | | | Housing | | |
|-----------------|------------|----------------|----------|-------------|----------|---------------|----------|------------|-------------------|---------------------|
| Double lip seal | Felt seal | Labyrinth seal | | V ring seal | | Taconite seal | | Cover | Mass m ≈ kg | Designation |
| | | | gL mm | | gv mm | | gT mm | | | |
| EDH509 | EFS509 | ETS509 | 97 | EDV509 | 85 | ETC509 | 150 | EDK509 | 3,1 | SES509-L |
| EDH609 | EFS609 | ETS609 | 107 | EDV609 | 95 | ETC609 | 155 | EDK511-609 | 4,41 | SES511-609-L |
| EDH509 | EFS509 | ETS509 | 97 | EDV509 | 85 | ETC509 | 150 | EDK509 | 3,1 | SES509-L |
| EDH609 | EFS609 | ETS609 | 107 | EDV609 | 95 | ETC609 | 155 | EDK511-609 | 4,41 | SES511-609-L |
| EDH609 | EFS609 | ETS609 | 107 | EDV609 | 95 | ETC609 | 155 | EDK511-609 | 4,41 | SES511-609-L |
| EDH509 | EFS509 | ETS509 | 97 | EDV509 | 85 | ETC509 | 150 | EDK509 | 3,1 | SES509-L |
| EDH509 | EFS509 | ETS509 | 97 | EDV509 | 85 | ETC509 | 150 | EDK509 | 3,1 | SES509-L |
| EDH609 | EFS609 | ETS609 | 107 | EDV609 | 95 | ETC609 | 155 | EDK511-609 | 4,41 | SES511-609-L |
| EDH609 | EFS609 | ETS609 | 107 | EDV609 | 95 | ETC609 | 155 | EDK511-609 | 4,41 | SES511-609-L |
| EDH510-307 | EFS510-307 | ETS510-307 | 102 | EDV510-307 | 88 | ETC510-307 | 148 | EDK510-608 | 3,27 | SES510-608-L |
| EDH610 | EFS610 | ETS610 | 117 | EDV610 | 105 | ETC610 | 165 | EDK512-610 | 5,2 | SES512-610-L |
| EDH510-307 | EFS510-307 | ETS510-307 | 102 | EDV510-307 | 88 | ETC510-307 | 148 | EDK510-608 | 3,27 | SES510-608-L |
| EDH610 | EFS610 | ETS610 | 117 | EDV610 | 105 | ETC610 | 165 | EDK512-610 | 5,2 | SES512-610-L |
| EDH610 | EFS610 | ETS610 | 117 | EDV610 | 105 | ETC610 | 165 | EDK512-610 | 5,2 | SES512-610-L |
| EDH510-307 | EFS510-307 | ETS510-307 | 102 | EDV510-307 | 88 | ETC510-307 | 148 | EDK510-608 | 3,27 | SES510-608-L |
| EDH510-307 | EFS510-307 | ETS510-307 | 102 | EDV510-307 | 88 | ETC510-307 | 148 | EDK510-608 | 3,27 | SES510-608-L |
| EDH610 | EFS610 | ETS610 | 117 | EDV610 | 105 | ETC610 | 165 | EDK512-610 | 5,2 | SES512-610-L |
| EDH610 | EFS610 | ETS610 | 117 | EDV610 | 105 | ETC610 | 165 | EDK512-610 | 5,2 | SES512-610-L |
| EDH511 | EFS511 | ETS511 | 107 | EDV511 | 95 | ETC511 | 165 | EDK511-609 | 4,41 | SES511-609-L |
| EDH611 | EFS611 | ETS611 | 122 | EDV611 | 110 | ETC611 | 170 | EDK513-611 | 6,5 | SES513-611-L |
| EDH511 | EFS511 | ETS511 | 107 | EDV511 | 95 | ETC511 | 165 | EDK511-609 | 4,41 | SES511-609-L |
| EDH611 | EFS611 | ETS611 | 122 | EDV611 | 110 | ETC611 | 170 | EDK513-611 | 6,5 | SES513-611-L |
| EDH611 | EFS611 | ETS611 | 122 | EDV611 | 110 | ETC611 | 170 | EDK513-611 | 6,5 | SES513-611-L |
| EDH511 | EFS511 | ETS511 | 107 | EDV511 | 95 | ETC511 | 165 | EDK511-609 | 4,41 | SES511-609-L |
| EDH511 | EFS511 | ETS511 | 107 | EDV511 | 95 | ETC511 | 165 | EDK511-609 | 4,41 | SES511-609-L |
| EDH611 | EFS611 | ETS611 | 122 | EDV611 | 110 | ETC611 | 170 | EDK513-611 | 6,5 | SES513-611-L |
| EDH611 | EFS611 | ETS611 | 122 | EDV611 | 110 | ETC611 | 170 | EDK513-611 | 6,5 | SES513-611-L |

Plummer block housings

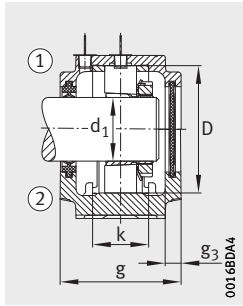
SES, split
For bearings with tapered bore and adapter sleeve
Metric shaft



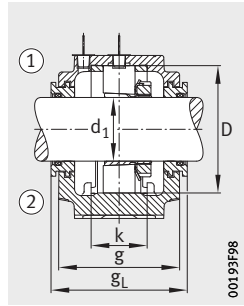
Dimension table (continued) · Dimensions in mm

| Shaft d_1 mm | Housing Dimensions | | | | | | | | | | | | | Bearing and accessories | | |
|----------------------|--------------------|-------|-----|-----|----|-----|-----|----|----|-----|-----|----|-------|-------------------------|----------------|---------------------------|
| | h | h_1 | g | b | c | a | m | v | u | s | D | k | g_3 | Bearing | Adapter sleeve | Locating ring 2 pieces |
| 55 | 70 | 134 | 105 | 70 | 30 | 255 | 210 | 24 | 18 | M16 | 110 | 48 | 12 | 1212-K | H212 | FRM110/13 |
| 55 | 80 | 156 | 115 | 80 | 30 | 280 | 230 | 24 | 18 | M16 | 130 | 56 | 13 | 1312-K | H312 | FRM130/12,5 |
| 55 | 70 | 134 | 105 | 70 | 30 | 255 | 210 | 24 | 18 | M16 | 110 | 48 | 12 | 20212-K | H212 | FRM110/13 |
| 55 | 80 | 156 | 115 | 80 | 30 | 280 | 230 | 24 | 18 | M16 | 130 | 56 | 13 | 20312-K | H312 | FRM130/12,5 |
| 55 | 80 | 156 | 115 | 80 | 30 | 280 | 230 | 24 | 18 | M16 | 130 | 56 | 13 | 21312...-K | H312 | FRM130/12,5 |
| 55 | 70 | 134 | 105 | 70 | 30 | 255 | 210 | 24 | 18 | M16 | 110 | 48 | 12 | 2212-K | H312 | FRM110/10 |
| 55 | 70 | 134 | 105 | 70 | 30 | 255 | 210 | 24 | 18 | M16 | 110 | 48 | 12 | 22212...-K | H312 | FRM110/10 |
| 55 | 70 | 134 | 105 | 70 | 30 | 255 | 210 | 24 | 18 | M16 | 110 | 48 | 12 | 222SM55-TVPA | - | FRM110/13 |
| 55 | 80 | 156 | 115 | 80 | 30 | 280 | 230 | 24 | 18 | M16 | 130 | 56 | 13 | 22312...-K | H2312 | FRM130/5 |
| 55 | 80 | 156 | 115 | 80 | 30 | 280 | 230 | 24 | 18 | M16 | 130 | 56 | 13 | 2312-K | H2312 | FRM130/5 |
| 60 | 80 | 150 | 110 | 80 | 30 | 275 | 230 | 24 | 18 | M16 | 120 | 51 | 13 | 1213-K | H213 | FRM120/14 |
| 60 | 95 | 177 | 120 | 90 | 32 | 315 | 260 | 28 | 22 | M20 | 140 | 58 | 13 | 1313-K | H313 | FRM140/12,5 |
| 60 | 80 | 150 | 110 | 80 | 30 | 275 | 230 | 24 | 18 | M16 | 120 | 51 | 13 | 20213-K | H213 | FRM120/14 |
| 60 | 95 | 177 | 120 | 90 | 32 | 315 | 260 | 28 | 22 | M20 | 140 | 58 | 13 | 20313-K | H313 | FRM140/12,5 |
| 60 | 95 | 177 | 120 | 90 | 32 | 315 | 260 | 28 | 22 | M20 | 140 | 58 | 13 | 21313...-K | H313 | FRM140/12,5 |
| 60 | 80 | 150 | 110 | 80 | 30 | 275 | 230 | 24 | 18 | M16 | 120 | 51 | 13 | 2213-K | H313 | FRM120/10 |
| 60 | 80 | 150 | 110 | 80 | 30 | 275 | 230 | 24 | 18 | M16 | 120 | 51 | 13 | 22213...-K | H313 | FRM120/10 |
| 60 | 80 | 150 | 110 | 80 | 30 | 275 | 230 | 24 | 18 | M16 | 120 | 51 | 13 | 222SM60-TVPA | - | FRM120/10 |
| 60 | 95 | 177 | 120 | 90 | 32 | 315 | 260 | 28 | 22 | M20 | 140 | 58 | 13 | 22313...-K | H2313 | FRM140/5 |
| 60 | 95 | 177 | 120 | 90 | 32 | 315 | 260 | 28 | 22 | M20 | 140 | 58 | 13 | 2313-K | H2313 | FRM140/5 |
| 65 | 80 | 156 | 115 | 80 | 30 | 280 | 230 | 24 | 18 | M16 | 130 | 56 | 13 | 1215-K | H215 | FRM130/15,5 |
| 65 | 100 | 194 | 140 | 100 | 35 | 345 | 290 | 28 | 22 | M20 | 160 | 65 | 13 | 1315-K | H315 | FRM160/14 |
| 65 | 80 | 156 | 115 | 80 | 30 | 280 | 230 | 24 | 18 | M16 | 130 | 56 | 13 | 20215-K | H215 | FRM130/15,5 |
| 65 | 100 | 194 | 140 | 100 | 35 | 345 | 290 | 28 | 22 | M20 | 160 | 65 | 13 | 20315-K | H315 | FRM160/14 |
| 65 | 100 | 194 | 140 | 100 | 35 | 345 | 290 | 28 | 22 | M20 | 160 | 65 | 13 | 21315...-K | H315 | FRM160/14 |
| 65 | 80 | 156 | 115 | 80 | 30 | 280 | 230 | 24 | 18 | M16 | 130 | 56 | 13 | 2215-K | H315 | FRM130/12,5 |
| 65 | 80 | 156 | 115 | 80 | 30 | 280 | 230 | 24 | 18 | M16 | 130 | 56 | 13 | 22215...-K | H315 | FRM130/12,5 |
| 65 | 80 | 156 | 115 | 80 | 30 | 280 | 230 | 24 | 18 | M16 | 130 | 56 | 13 | 222SM65-TVPA | - | FRM130/12,5 |
| 65 | 100 | 194 | 140 | 100 | 35 | 345 | 290 | 28 | 22 | M20 | 160 | 65 | 13 | 22315...-K | H2315 | FRM160/5 |
| 65 | 100 | 194 | 140 | 100 | 35 | 345 | 290 | 28 | 22 | M20 | 160 | 65 | 13 | 2315-K | H2315 | FRM160/5 |

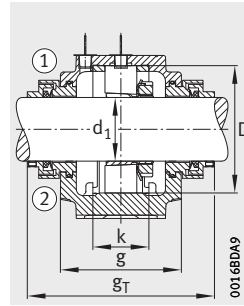
① Locating bearing. ② Non-locating bearing.



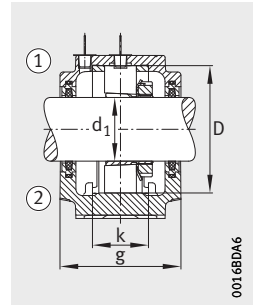
Double lip seal EDH
Cover EDK



Labyrinth seal ETS



Taconite seal ETC

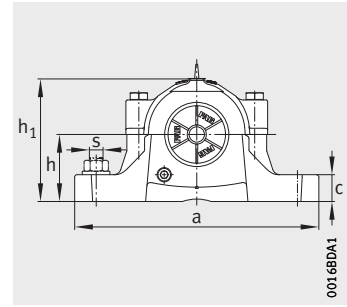
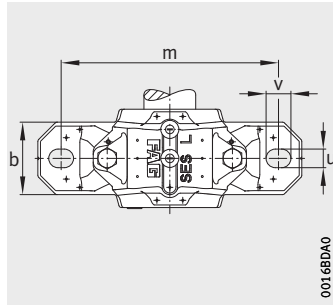


Felt seal EFS

| | | | | | | | | | Housing | |
|-----------------|-----------|----------------|-------------|----------|---------------|--------|-------|-------------------|-------------|---------------------|
| Double lip seal | Felt seal | Labyrinth seal | V ring seal | | Taconite seal | | Cover | Mass m ≈ kg | Designation | |
| | | | gL mm | gV mm | gT mm | | | | | |
| EDH512 | EFS512 | ETS512 | 117 | EDV512 | 105 | ETC512 | 175 | EDK512-610 | 5,2 | SES512-610-L |
| EDH612 | EFS612 | ETS612 | 127 | EDV612 | 115 | ETC612 | 175 | EDK515-612 | 7 | SES515-612-L |
| EDH512 | EFS512 | ETS512 | 117 | EDV512 | 105 | ETC512 | 175 | EDK512-610 | 5,2 | SES512-610-L |
| EDH612 | EFS612 | ETS612 | 127 | EDV612 | 115 | ETC612 | 175 | EDK515-612 | 7 | SES515-612-L |
| EDH612 | EFS612 | ETS612 | 127 | EDV612 | 115 | ETC612 | 175 | EDK515-612 | 7 | SES515-612-L |
| EDH512 | EFS512 | ETS512 | 117 | EDV512 | 105 | ETC512 | 175 | EDK512-610 | 5,2 | SES512-610-L |
| EDH512 | EFS512 | ETS512 | 117 | EDV512 | 105 | ETC512 | 175 | EDK512-610 | 5,2 | SES512-610-L |
| EDH512 | EFS512 | ETS512 | 117 | EDV512 | 105 | ETC512 | 175 | EDK512-610 | 5,2 | SES512-610-L |
| EDH612 | EFS612 | ETS612 | 127 | EDV612 | 115 | ETC612 | 175 | EDK515-612 | 7 | SES515-612-L |
| EDH612 | EFS612 | ETS612 | 127 | EDV612 | 115 | ETC612 | 175 | EDK515-612 | 7 | SES515-612-L |
| EDH513 | EFS513 | ETS513 | 122 | EDV513 | 110 | ETC513 | 180 | EDK513-611 | 6,5 | SES513-611-L |
| EDH613 | EFS613 | ETS613 | 134 | EDV613 | 120 | ETC613 | 180 | EDK516-613 | 9,3 | SES516-613-L |
| EDH513 | EFS513 | ETS513 | 122 | EDV513 | 110 | ETC513 | 180 | EDK513-611 | 6,5 | SES513-611-L |
| EDH613 | EFS613 | ETS613 | 134 | EDV613 | 120 | ETC613 | 180 | EDK516-613 | 9,3 | SES516-613-L |
| EDH613 | EFS613 | ETS613 | 134 | EDV613 | 120 | ETC613 | 180 | EDK516-613 | 9,3 | SES516-613-L |
| EDH513 | EFS513 | ETS513 | 122 | EDV513 | 110 | ETC513 | 180 | EDK513-611 | 6,5 | SES513-611-L |
| EDH513 | EFS513 | ETS513 | 122 | EDV513 | 110 | ETC513 | 180 | EDK513-611 | 6,5 | SES513-611-L |
| EDH513 | EFS513 | ETS513 | 122 | EDV513 | 110 | ETC513 | 180 | EDK513-611 | 6,5 | SES513-611-L |
| EDH613 | EFS613 | ETS613 | 134 | EDV613 | 120 | ETC613 | 180 | EDK516-613 | 9,3 | SES516-613-L |
| EDH613 | EFS613 | ETS613 | 134 | EDV613 | 120 | ETC613 | 180 | EDK516-613 | 9,3 | SES516-613-L |
| EDH515 | EFS515 | ETS515 | 127 | EDV515 | 115 | ETC515 | 175 | EDK515-612 | 7 | SES515-612-L |
| EDH615 | EFS615 | ETS615 | 154 | EDV615 | 140 | ETC615 | 200 | EDK518-615 | 12,9 | SES518-615-L |
| EDH515 | EFS515 | ETS515 | 127 | EDV515 | 115 | ETC515 | 175 | EDK515-612 | 7 | SES515-612-L |
| EDH615 | EFS615 | ETS615 | 154 | EDV615 | 140 | ETC615 | 200 | EDK518-615 | 12,9 | SES518-615-L |
| EDH615 | EFS615 | ETS615 | 154 | EDV615 | 140 | ETC615 | 200 | EDK518-615 | 12,9 | SES518-615-L |
| EDH515 | EFS515 | ETS515 | 127 | EDV515 | 115 | ETC515 | 175 | EDK515-612 | 7 | SES515-612-L |
| EDH515 | EFS515 | ETS515 | 127 | EDV515 | 115 | ETC515 | 175 | EDK515-612 | 7 | SES515-612-L |
| EDH515 | EFS515 | ETS515 | 127 | EDV515 | 115 | ETC515 | 175 | EDK515-612 | 7 | SES515-612-L |
| EDH615 | EFS615 | ETS615 | 154 | EDV615 | 140 | ETC615 | 200 | EDK518-615 | 12,9 | SES518-615-L |
| EDH615 | EFS615 | ETS615 | 154 | EDV615 | 140 | ETC615 | 200 | EDK518-615 | 12,9 | SES518-615-L |

Plummer block housings

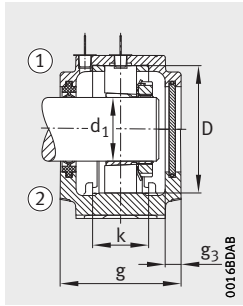
SES, split
For bearings with tapered bore and adapter sleeve
Metric shaft



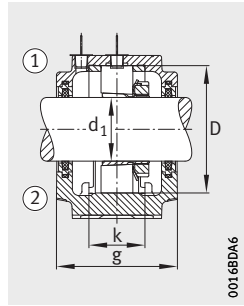
Dimension table (continued) - Dimensions in mm

| Shaft d_1 mm | Housing Dimensions | | | | | | | | | | | | | Bearing and accessories | | |
|----------------------|--------------------|-------|-----|-----|----|-----|-----|----|----|-----|-----|----|-------|-------------------------|----------------|---------------------------|
| | h | h_1 | g | b | c | a | m | v | u | s | D | k | g_3 | Bearing | Adapter sleeve | Locating ring 2 pieces |
| 70 | 95 | 177 | 120 | 90 | 32 | 315 | 260 | 28 | 22 | M20 | 140 | 58 | 13 | 1216-K | H216 | FRM140/16 |
| 70 | 112 | 212 | 145 | 100 | 35 | 345 | 290 | 28 | 22 | M20 | 170 | 68 | 14 | 1316-K | H316 | FRM170/14,5 |
| 70 | 95 | 177 | 120 | 90 | 32 | 315 | 260 | 28 | 22 | M20 | 140 | 58 | 13 | 202216-K | H216 | FRM140/16 |
| 70 | 112 | 212 | 145 | 100 | 35 | 345 | 290 | 28 | 22 | M20 | 170 | 68 | 14 | 20316-K | H316 | FRM170/14,5 |
| 70 | 112 | 212 | 145 | 100 | 35 | 345 | 290 | 28 | 22 | M20 | 170 | 68 | 14 | 21316..-K | H316 | FRM170/14,5 |
| 70 | 95 | 177 | 120 | 90 | 32 | 315 | 260 | 28 | 22 | M20 | 140 | 58 | 13 | 2216-K | H316 | FRM140/12,5 |
| 70 | 95 | 177 | 120 | 90 | 32 | 315 | 260 | 28 | 22 | M20 | 140 | 58 | 13 | 22216..-K | H316 | FRM140/12,5 |
| 70 | 95 | 177 | 120 | 90 | 32 | 315 | 260 | 28 | 22 | M20 | 140 | 58 | 13 | 222SM70-TVPA | - | FRM140/12,5 |
| 70 | 112 | 212 | 145 | 100 | 35 | 345 | 290 | 28 | 22 | M20 | 170 | 68 | 14 | 22316..-K | H2316 | FRM170/5 |
| 70 | 112 | 212 | 145 | 100 | 35 | 345 | 290 | 28 | 22 | M20 | 170 | 68 | 14 | 2316-K | H2316 | FRM170/5 |
| 75 | 95 | 183 | 125 | 90 | 32 | 320 | 260 | 28 | 22 | M20 | 150 | 61 | 13 | 1217-K | H217 | FRM150/16,5 |
| 75 | 112 | 218 | 160 | 110 | 40 | 380 | 320 | 32 | 26 | M24 | 180 | 70 | 14 | 1317-K | H317 | FRM180/14,5 |
| 75 | 95 | 183 | 125 | 90 | 32 | 320 | 260 | 28 | 22 | M20 | 150 | 61 | 13 | 20217-K | H217 | FRM150/16,5 |
| 75 | 112 | 218 | 160 | 110 | 40 | 380 | 320 | 32 | 26 | M24 | 180 | 70 | 14 | 21317..-K | H317 | FRM180/14,5 |
| 75 | 95 | 183 | 125 | 90 | 32 | 320 | 260 | 28 | 22 | M20 | 150 | 61 | 13 | 2217-K | H317 | FRM150/12,5 |
| 75 | 95 | 183 | 125 | 90 | 32 | 320 | 260 | 28 | 22 | M20 | 150 | 61 | 13 | 22217..-K | H317 | FRM150/12,5 |
| 75 | 95 | 183 | 125 | 90 | 32 | 320 | 260 | 28 | 22 | M20 | 150 | 61 | 13 | 222SM75-TVPA | - | FRM150/12,5 |
| 75 | 112 | 218 | 160 | 110 | 40 | 380 | 320 | 32 | 26 | M24 | 180 | 70 | 14 | 22317..-K | H2317 | FRM180/5 |
| 75 | 112 | 218 | 160 | 110 | 40 | 380 | 320 | 32 | 26 | M24 | 180 | 70 | 14 | 2317-K | H2317 | FRM180/5 |
| 80 | 100 | 194 | 140 | 100 | 35 | 345 | 290 | 28 | 22 | M20 | 160 | 65 | 13 | 1218-K | H218 | FRM160/17,5 |
| 80 | 112 | 229 | 155 | 110 | 40 | 380 | 320 | 32 | 26 | M24 | 190 | 74 | 15 | 1318-K | H318 | FRM190/15,5 |
| 80 | 100 | 194 | 140 | 100 | 35 | 345 | 290 | 28 | 22 | M20 | 160 | 65 | 13 | 20218-K | H218 | FRM160/17,5 |
| 80 | 112 | 229 | 155 | 110 | 40 | 380 | 320 | 32 | 26 | M24 | 190 | 74 | 15 | 20318-K | H318 | FRM190/15,5 |
| 80 | 112 | 229 | 155 | 110 | 40 | 380 | 320 | 32 | 26 | M24 | 190 | 74 | 15 | 21318..-K | H318 | FRM190/15,5 |
| 80 | 100 | 194 | 140 | 100 | 35 | 345 | 290 | 28 | 22 | M20 | 160 | 65 | 13 | 2218-K | H318 | FRM160/12,5 |
| 80 | 100 | 194 | 140 | 100 | 35 | 345 | 290 | 28 | 22 | M20 | 160 | 65 | 13 | 22218..-K | H318 | FRM160/12,5 |
| 80 | 100 | 194 | 140 | 100 | 35 | 345 | 290 | 28 | 22 | M20 | 160 | 65 | 13 | 222SM80-TVPA | - | FRM160/12,5 |
| 80 | 112 | 229 | 155 | 110 | 40 | 380 | 320 | 32 | 26 | M24 | 190 | 74 | 15 | 22318..-K | H2318 | FRM190/5 |
| 80 | 112 | 229 | 155 | 110 | 40 | 380 | 320 | 32 | 26 | M24 | 190 | 74 | 15 | 2318-K | H2318 | FRM190/5 |
| 80 | 100 | 194 | 140 | 100 | 35 | 345 | 290 | 28 | 22 | M20 | 160 | 65 | 13 | 23218..-K | H2318 | FRM160/6,25 |

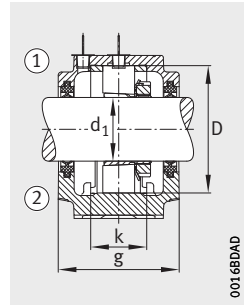
① Locating bearing. ② Non-locating bearing.



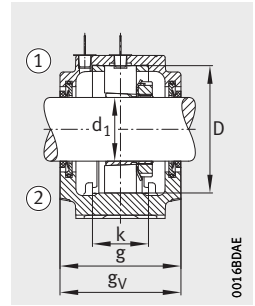
Double lip seal EDH
Cover EDKT



Felt seal EFS



Double lip seal EDH

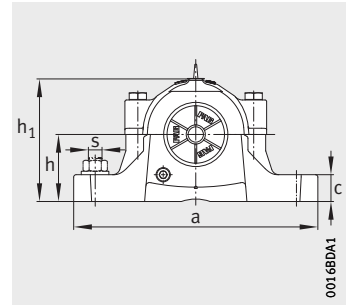
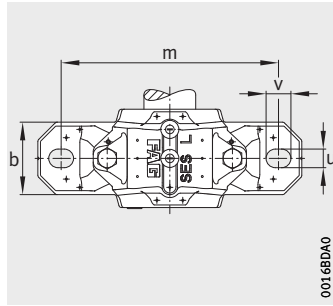


V ring seal EDH

| | | | | | | | | | Housing | |
|-----------------|-----------|----------------|----------|-------------|----------|---------------|----------|------------|-------------------|---------------------|
| Double lip seal | Felt seal | Labyrinth seal | | V ring seal | | Taconite seal | | Cover | Mass m ≈ kg | Designation |
| | | | gL mm | | gv mm | | gT mm | | | |
| EDH516 | EFS516 | ETS516 | 134 | EDV516 | 120 | ETC516 | 205 | EDK516-613 | 9,3 | SES516-613-L |
| EDH616 | EFS616 | ETS616 | 161 | EDV616 | 145 | ETC616 | 205 | EDK519-616 | 13,8 | SES519-616-L |
| EDH516 | EFS516 | ETS516 | 134 | EDV516 | 120 | ETC516 | 205 | EDK516-613 | 9,3 | SES516-613-L |
| EDH616 | EFS616 | ETS616 | 161 | EDV616 | 145 | ETC616 | 205 | EDK519-616 | 13,8 | SES519-616-L |
| EDH616 | EFS616 | ETS616 | 161 | EDV616 | 145 | ETC616 | 205 | EDK519-616 | 13,8 | SES519-616-L |
| EDH516 | EFS516 | ETS516 | 134 | EDV516 | 120 | ETC516 | 205 | EDK516-613 | 9,3 | SES516-613-L |
| EDH516 | EFS516 | ETS516 | 134 | EDV516 | 120 | ETC516 | 205 | EDK516-613 | 9,3 | SES516-613-L |
| EDH516 | EFS516 | ETS516 | 134 | EDV516 | 120 | ETC516 | 205 | EDK516-613 | 9,3 | SES516-613-L |
| EDH616 | EFS616 | ETS616 | 161 | EDV616 | 145 | ETC616 | 205 | EDK519-616 | 13,8 | SES519-616-L |
| EDH616 | EFS616 | ETS616 | 161 | EDV616 | 145 | ETC616 | 205 | EDK519-616 | 13,8 | SES519-616-L |
| EDH517 | EFS517 | ETS517 | 139 | EDV517 | 125 | ETC517 | 210 | EDK517 | 9,8 | SES517-L |
| EDH617 | EFS617 | ETS617 | 176 | EDV617 | 160 | ETC617 | 220 | EDK520-617 | 17,1 | SES520-617-L |
| EDH517 | EFS517 | ETS517 | 139 | EDV517 | 125 | ETC517 | 210 | EDK517 | 9,8 | SES517-L |
| EDH617 | EFS617 | ETS617 | 176 | EDV617 | 160 | ETC617 | 220 | EDK520-617 | 17,1 | SES520-617-L |
| EDH517 | EFS517 | ETS517 | 139 | EDV517 | 125 | ETC517 | 210 | EDK517 | 9,8 | SES517-L |
| EDH517 | EFS517 | ETS517 | 139 | EDV517 | 125 | ETC517 | 210 | EDK517 | 9,8 | SES517-L |
| EDH517 | EFS517 | ETS517 | 139 | EDV517 | 125 | ETC517 | 210 | EDK517 | 9,8 | SES517-L |
| EDH517 | EFS517 | ETS517 | 139 | EDV517 | 125 | ETC517 | 210 | EDK517 | 9,8 | SES517-L |
| EDH617 | EFS617 | ETS617 | 176 | EDV617 | 160 | ETC617 | 220 | EDK520-617 | 17,1 | SES520-617-L |
| EDH617 | EFS617 | ETS617 | 176 | EDV617 | 160 | ETC617 | 220 | EDK520-617 | 17,1 | SES520-617-L |
| EDH518 | EFS518 | ETS518 | 154 | EDV518 | 140 | ETC518 | 225 | EDK518-615 | 12,9 | SES518-615-L |
| EDH618 | EFS618 | ETS618 | 170,3 | EDV618 | 162,5 | ETC618 | 178 | EDK218 | 19,1 | SES618-318-L |
| EDH518 | EFS518 | ETS518 | 154 | EDV518 | 140 | ETC518 | 225 | EDK518-615 | 12,9 | SES518-615-L |
| EDH618 | EFS618 | ETS618 | 170,3 | EDV618 | 162,5 | ETC618 | 178 | EDK218 | 19,1 | SES618-318-L |
| EDH618 | EFS618 | ETS618 | 170,3 | EDV618 | 162,5 | ETC618 | 178 | EDK218 | 19,1 | SES618-318-L |
| EDH518 | EFS518 | ETS518 | 154 | EDV518 | 140 | ETC518 | 225 | EDK518-615 | 12,9 | SES518-615-L |
| EDH518 | EFS518 | ETS518 | 154 | EDV518 | 140 | ETC518 | 225 | EDK518-615 | 12,9 | SES518-615-L |
| EDH518 | EFS518 | ETS518 | 154 | EDV518 | 140 | ETC518 | 225 | EDK518-615 | 12,9 | SES518-615-L |
| EDH618 | EFS618 | ETS618 | 170,3 | EDV618 | 162,5 | ETC618 | 178 | EDK218 | 19,1 | SES618-318-L |
| EDH618 | EFS618 | ETS618 | 170,3 | EDV618 | 162,5 | ETC618 | 178 | EDK218 | 19,1 | SES618-318-L |
| EDH518 | EFS518 | ETS518 | 154 | EDV518 | 140 | ETC518 | 225 | EDK518-615 | 12,9 | SES518-615-L |

Plummer block housings

SES, split
For bearings with tapered bore and adapter sleeve
Metric shaft

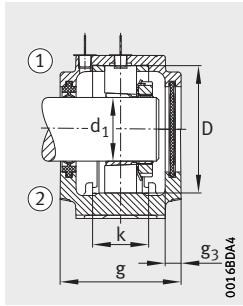


Dimension table (continued) · Dimensions in mm

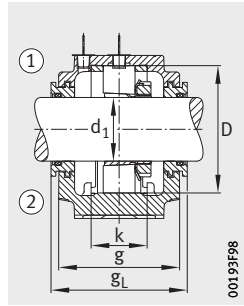
| Shaft d_1 mm | Housing Dimensions | | | | | | | | | | | | | Bearing and accessories | | |
|----------------------|-----------------------|-------|-----|-----|----|-----|-----|----|----|-----|-----|----|-------|-------------------------|----------------|---------------------------|
| | h | h_1 | g | b | c | a | m | v | u | s | D | k | g_3 | Bearing | Adapter sleeve | Locating ring 2 pieces |
| 85 | 112 | 212 | 145 | 100 | 35 | 345 | 290 | 28 | 22 | M20 | 170 | 68 | 14 | 1219-K | H219 | FRM170/18 |
| 85 | 125 | 242 | 175 | 120 | 45 | 410 | 350 | 32 | 26 | M24 | 200 | 80 | 14 | 1319-K | H319 | FRM200/17,5 |
| 85 | 112 | 212 | 145 | 100 | 35 | 345 | 290 | 28 | 22 | M20 | 170 | 68 | 14 | 20219-K | H219 | FRM170/18 |
| 85 | 125 | 242 | 175 | 120 | 45 | 410 | 350 | 32 | 26 | M24 | 200 | 80 | 14 | 20319-K | H319 | FRM200/17,5 |
| 85 | 125 | 242 | 175 | 120 | 45 | 410 | 350 | 32 | 26 | M24 | 200 | 80 | 14 | 21319..-K | H319 | FRM200/17,5 |
| 85 | 112 | 212 | 145 | 100 | 35 | 345 | 290 | 28 | 22 | M20 | 170 | 68 | 14 | 2219-K | H319 | FRM170/12,5 |
| 85 | 112 | 212 | 145 | 100 | 35 | 345 | 290 | 28 | 22 | M20 | 170 | 68 | 14 | 22219..-K | H319 | FRM170/12,5 |
| 85 | 112 | 212 | 145 | 100 | 35 | 345 | 290 | 28 | 22 | M20 | 170 | 68 | 14 | 222SM85-TVPA | – | FRM170/12,5 |
| 85 | 125 | 242 | 175 | 120 | 45 | 410 | 350 | 32 | 26 | M24 | 200 | 80 | 14 | 22319..-K | H2319 | FRM200/6,5 |
| 85 | 125 | 242 | 175 | 120 | 45 | 410 | 350 | 32 | 26 | M24 | 200 | 80 | 14 | 2319-K | H2319 | FRM200/6,5 |
| 90 | 112 | 218 | 160 | 110 | 40 | 380 | 320 | 32 | 26 | M24 | 180 | 70 | 14 | 1220-K | H220 | FRM180/18 |
| 90 | 140 | 271 | 185 | 120 | 45 | 410 | 350 | 32 | 26 | M24 | 215 | 86 | 15 | 1320-K | H320 | FRM215/19,5 |
| 90 | 112 | 218 | 160 | 110 | 40 | 380 | 320 | 32 | 26 | M24 | 180 | 70 | 14 | 20220-K | H220 | FRM180/18 |
| 90 | 140 | 271 | 185 | 120 | 45 | 410 | 350 | 32 | 26 | M24 | 215 | 86 | 15 | 20320-K | H320 | FRM215/19,5 |
| 90 | 140 | 271 | 185 | 120 | 45 | 410 | 350 | 32 | 26 | M24 | 215 | 86 | 15 | 21320..-K | H320 | FRM215/19,5 |
| 90 | 112 | 218 | 160 | 110 | 40 | 380 | 320 | 32 | 26 | M24 | 180 | 70 | 14 | 2220-K | H320 | FRM180/12 |
| 90 | 112 | 218 | 160 | 110 | 40 | 380 | 320 | 32 | 26 | M24 | 180 | 70 | 14 | 22220..-K | H320 | FRM180/12 |
| 90 | 112 | 218 | 160 | 110 | 40 | 380 | 320 | 32 | 26 | M24 | 180 | 70 | 14 | 222SM90-TVPA | – | FRM180/12 |
| 90 | 140 | 271 | 185 | 120 | 45 | 410 | 350 | 32 | 26 | M24 | 215 | 86 | 15 | 22320..-K | H2320 | FRM215/6,5 |
| 90 | 140 | 271 | 185 | 120 | 45 | 410 | 350 | 32 | 26 | M24 | 215 | 86 | 15 | 2320-K | H2320 | FRM215/6,5 |
| 90 | 112 | 218 | 160 | 110 | 40 | 380 | 320 | 32 | 26 | M24 | 180 | 70 | 14 | 23220..-K | H2320 | FRM180/4,85 |
| 100 | 125 | 242 | 175 | 120 | 45 | 410 | 350 | 32 | 26 | M24 | 200 | 80 | 14 | 1222-K | H222 | FRM200/21 |
| 100 | 150 | 298 | 185 | 130 | 50 | 450 | 390 | 35 | 28 | M24 | 240 | 90 | 18 | 1322-K | H322 | FRM240/20 |
| 100 | 125 | 242 | 175 | 120 | 45 | 410 | 350 | 32 | 26 | M24 | 200 | 80 | 14 | 20222-K | H222 | FRM200/21 |
| 100 | 150 | 298 | 185 | 130 | 50 | 450 | 390 | 35 | 28 | M24 | 240 | 90 | 18 | 21322..-K | H322 | FRM240/20 |
| 100 | 125 | 242 | 175 | 120 | 45 | 410 | 350 | 32 | 26 | M24 | 200 | 80 | 14 | 2222-K | H322 | FRM200/13,5 |
| 100 | 125 | 242 | 175 | 120 | 45 | 410 | 350 | 32 | 26 | M24 | 200 | 80 | 14 | 22222..-K | H322 | FRM200/13,5 |
| 100 | 125 | 242 | 175 | 120 | 45 | 410 | 350 | 32 | 26 | M24 | 200 | 80 | 14 | 222SM100-TVPA | – | FRM200/13,5 |
| 100 | 150 | 298 | 185 | 130 | 50 | 450 | 390 | 35 | 28 | M24 | 240 | 90 | 18 | 22322..-K | H2322 | FRM240/5 |
| 100 | 150 | 298 | 185 | 130 | 50 | 450 | 390 | 35 | 28 | M24 | 240 | 90 | 18 | 2322-K | H2322 | FRM240/5 |
| 100 | 125 | 242 | 175 | 120 | 45 | 410 | 350 | 32 | 26 | M24 | 200 | 80 | 14 | 23222..-K | H2322 | FRM200/5,1 |

① Locating bearing. ② Non-locating bearing.

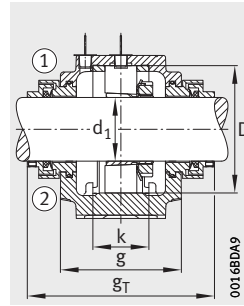
1) Housing with eye bolt.



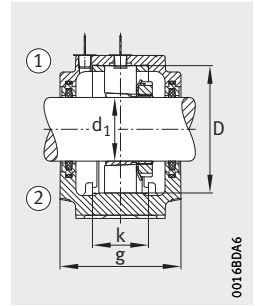
Double lip seal EDH
Cover EDK



Labyrinth seal ETS



Taconite seal ETC



Felt seal EFS

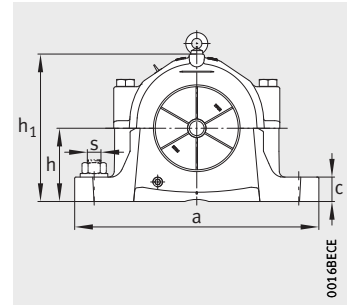
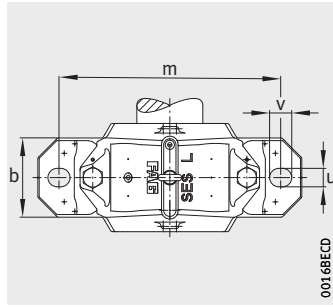
| | | | | | | | | Housing | | |
|-----------------|------------|----------------|-------------|------------|---------------|------------|-------|-------------------|-------------|----------------------------------|
| Double lip seal | Felt seal | Labyrinth seal | V ring seal | | Taconite seal | | Cover | Mass m ≈ kg | Designation | |
| | | | gL mm | gV mm | gT mm | gT mm | | | | |
| EDH519 | EFS519 | ETS519 | 161 | EDV519 | 145 | ETC519 | 220 | EDK519-616 | 13,8 | SES519-616-L |
| EDH619 | EFS619 | ETS619 | 191 | EDV619 | 175 | ETC619 | 235 | EDK522-619 | 22,8 | SES522-619-L |
| EDH519 | EFS519 | ETS519 | 161 | EDV519 | 145 | ETC519 | 220 | EDK519-616 | 13,8 | SES519-616-L |
| EDH619 | EFS619 | ETS619 | 191 | EDV619 | 175 | ETC619 | 235 | EDK522-619 | 22,8 | SES522-619-L |
| EDH619 | EFS619 | ETS619 | 191 | EDV619 | 175 | ETC619 | 235 | EDK522-619 | 22,8 | SES522-619-L |
| EDH519 | EFS519 | ETS519 | 161 | EDV519 | 145 | ETC519 | 220 | EDK519-616 | 13,8 | SES519-616-L |
| EDH519 | EFS519 | ETS519 | 161 | EDV519 | 145 | ETC519 | 220 | EDK519-616 | 13,8 | SES519-616-L |
| EDH519 | EFS519 | ETS519 | 161 | EDV519 | 145 | ETC519 | 220 | EDK519-616 | 13,8 | SES519-616-L |
| EDH619 | EFS619 | ETS619 | 191 | EDV619 | 175 | ETC619 | 235 | EDK522-619 | 22,8 | SES522-619-L |
| EDH619 | EFS619 | ETS619 | 191 | EDV619 | 175 | ETC619 | 235 | EDK522-619 | 22,8 | SES522-619-L |
| EDH520 | EFS520 | ETS520 | 176 | EDV520 | 160 | ETC520 | 230 | EDK520-617 | 17,1 | SES520-617-L |
| EDH620 | EFS620 | ETS620 | 199 | EDV620 | 185 | ETC620 | 240 | EDK524-620 | 26,2 | SES524-620-L¹⁾ |
| EDH520 | EFS520 | ETS520 | 176 | EDV520 | 160 | ETC520 | 230 | EDK520-617 | 17,1 | SES520-617-L |
| EDH620 | EFS620 | ETS620 | 199 | EDV620 | 185 | ETC620 | 240 | EDK524-620 | 26,2 | SES524-620-L¹⁾ |
| EDH620 | EFS620 | ETS620 | 199 | EDV620 | 185 | ETC620 | 240 | EDK524-620 | 26,2 | SES524-620-L¹⁾ |
| EDH620 | EFS620 | ETS620 | 199 | EDV620 | 185 | ETC620 | 240 | EDK524-620 | 26,2 | SES524-620-L¹⁾ |
| EDH520 | EFS520 | ETS520 | 176 | EDV520 | 160 | ETC520 | 230 | EDK520-617 | 17,1 | SES520-617-L |
| EDH520 | EFS520 | ETS520 | 176 | EDV520 | 160 | ETC520 | 230 | EDK520-617 | 17,1 | SES520-617-L |
| EDH520 | EFS520 | ETS520 | 176 | EDV520 | 160 | ETC520 | 230 | EDK520-617 | 17,1 | SES520-617-L |
| EDH620 | EFS620 | ETS620 | 199 | EDV620 | 185 | ETC620 | 240 | EDK524-620 | 26,2 | SES524-620-L¹⁾ |
| EDH620 | EFS620 | ETS620 | 199 | EDV620 | 185 | ETC620 | 240 | EDK524-620 | 26,2 | SES524-620-L¹⁾ |
| EDH620 | EFS620 | ETS620 | 199 | EDV620 | 185 | ETC620 | 240 | EDK524-620 | 26,2 | SES524-620-L¹⁾ |
| EDH520 | EFS520 | ETS520 | 176 | EDV520 | 160 | ETC520 | 230 | EDK520-617 | 17,1 | SES520-617-L |
| EDH522-622 | EFS522-622 | ETS522-622 | 191 | EDV522-622 | 175 | ETC522-622 | 250 | EDK522-619 | 22,8 | SES522-619-L |
| EDH522-622 | EFS522-622 | ETS522-622 | 196,5 | EDV522-622 | 180,5 | ETC522-622 | 255,5 | EDK522-619 | 36,1 | SES622-322-L¹⁾ |
| EDH522-622 | EFS522-622 | ETS522-622 | 191 | EDV522-622 | 175 | ETC522-622 | 250 | EDK522-619 | 22,8 | SES522-619-L |
| EDH522-622 | EFS522-622 | ETS522-622 | 196,5 | EDV522-622 | 180,5 | ETC522-622 | 255,5 | EDK522-619 | 36,1 | SES622-322-L¹⁾ |
| EDH522-622 | EFS522-622 | ETS522-622 | 191 | EDV522-622 | 175 | ETC522-622 | 250 | EDK522-619 | 22,8 | SES522-619-L |
| EDH522-622 | EFS522-622 | ETS522-622 | 191 | EDV522-622 | 175 | ETC522-622 | 250 | EDK522-619 | 22,8 | SES522-619-L |
| EDH522-622 | EFS522-622 | ETS522-622 | 191 | EDV522-622 | 175 | ETC522-622 | 250 | EDK522-619 | 22,8 | SES522-619-L |
| EDH522-622 | EFS522-622 | ETS522-622 | 196,5 | EDV522-622 | 180,5 | ETC522-622 | 255,5 | EDK522-619 | 36,1 | SES622-322-L¹⁾ |
| EDH522-622 | EFS522-622 | ETS522-622 | 196,5 | EDV522-622 | 180,5 | ETC522-622 | 255,5 | EDK522-619 | 36,1 | SES622-322-L¹⁾ |
| EDH522-622 | EFS522-622 | ETS522-622 | 191 | EDV522-622 | 175 | ETC522-622 | 250 | EDK522-619 | 22,8 | SES522-619-L |

Plummer block housings

SES, split

For bearings with tapered bore and adapter sleeve

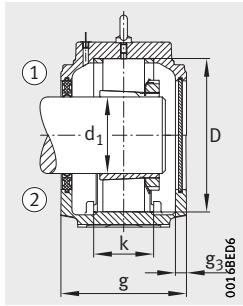
Metric shaft



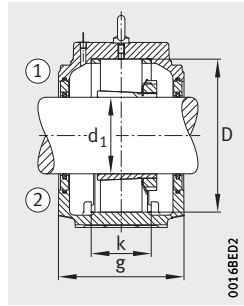
Dimension table (continued) · Dimensions in mm

| Shaft d_1 mm | Housing Dimensions | | | | | | | | | | | | | Bearing and accessories | | |
|----------------------|-----------------------|-------|-----|-----|----|-----|-----|----|----|-----|-----|-----|-------|-------------------------|----------------|---------------------------|
| | h | h_1 | g | b | c | a | m | v | u | s | D | k | g_3 | Bearing | Adapter sleeve | Locating ring 2 pieces |
| 110 | 170 | 344 | 235 | 160 | 60 | 550 | 470 | 42 | 35 | M30 | 290 | 114 | 15 | 20224...K | H3024 | FRM215/23 |
| 110 | 160 | 321 | 190 | 160 | 60 | 530 | 450 | 42 | 35 | M30 | 260 | 96 | 18 | 20324...K | H3124 | FRM260/20,5 |
| 110 | 170 | 344 | 235 | 160 | 60 | 550 | 470 | 42 | 35 | M30 | 290 | 114 | 15 | 22224...K | H3124 | FRM215/14 |
| 110 | 170 | 344 | 235 | 160 | 60 | 550 | 470 | 42 | 35 | M30 | 290 | 114 | 15 | 222SM110-TVPA | – | FRM215/14 |
| 110 | 160 | 321 | 190 | 160 | 60 | 530 | 450 | 42 | 35 | M30 | 260 | 96 | 18 | 22324...K | H2324 | FRM260/5 |
| 110 | 170 | 344 | 235 | 160 | 60 | 550 | 470 | 42 | 35 | M30 | 290 | 114 | 15 | 23224...K | H2324 | FRM215/5 |
| 115 | 150 | 290 | 190 | 130 | 50 | 445 | 380 | 35 | 28 | M24 | 230 | 90 | 15 | 20226...K | H3026 | FRM230/25 |
| 115 | 150 | 290 | 190 | 130 | 50 | 445 | 380 | 35 | 28 | M24 | 230 | 90 | 15 | 22226...K | H3126 | FRM230/13 |
| 115 | 150 | 290 | 190 | 130 | 50 | 445 | 380 | 35 | 28 | M24 | 230 | 90 | 15 | 222SM115-TVPA | – | FRM230/25 |
| 115 | 150 | 290 | 190 | 130 | 50 | 445 | 380 | 35 | 28 | M24 | 230 | 90 | 15 | 23226...K | H2326 | FRM230/5 |
| 125 | 150 | 302 | 205 | 150 | 50 | 500 | 420 | 42 | 35 | M30 | 250 | 98 | 15 | 20228...K | H3028 | FRM250/28 |
| 125 | 150 | 302 | 205 | 150 | 50 | 500 | 420 | 42 | 35 | M30 | 250 | 98 | 15 | 22228...K | H3128 | FRM250/15 |
| 125 | 150 | 302 | 205 | 150 | 50 | 500 | 420 | 42 | 35 | M30 | 250 | 98 | 15 | 222SM125-TVPA | – | FRM250/15 |
| 125 | 150 | 302 | 205 | 150 | 50 | 500 | 420 | 42 | 35 | M30 | 250 | 98 | 15 | 23228...K | H2328 | FRM250/5 |
| 135 | 160 | 323 | 220 | 160 | 60 | 530 | 450 | 42 | 35 | M30 | 270 | 106 | 15 | 20230...K | H3030 | FRM270/30,5 |
| 135 | 160 | 323 | 220 | 160 | 60 | 530 | 450 | 42 | 35 | M30 | 270 | 106 | 15 | 22230...K | H3130 | FRM270/16,5 |
| 135 | 160 | 323 | 220 | 160 | 60 | 530 | 450 | 42 | 35 | M30 | 270 | 106 | 15 | 222SM135-TVPA | – | FRM270/16,5 |
| 135 | 160 | 323 | 220 | 160 | 60 | 530 | 450 | 42 | 35 | M30 | 270 | 106 | 15 | 23230...K | H2330 | FRM270/5 |
| 140 | 170 | 344 | 235 | 160 | 60 | 550 | 470 | 42 | 35 | M30 | 290 | 114 | 15 | 20232...K | H3032(-HG) | FRM290/33 |
| 140 | 170 | 344 | 235 | 160 | 60 | 550 | 470 | 42 | 35 | M30 | 290 | 114 | 15 | 22232...K | H3132(-HG) | FRM290/17 |
| 140 | 170 | 344 | 235 | 160 | 60 | 550 | 470 | 42 | 35 | M30 | 290 | 114 | 15 | 222SM140-TVPA | – | FRM290/17 |
| 140 | 170 | 344 | 235 | 160 | 60 | 550 | 470 | 42 | 35 | M30 | 290 | 114 | 15 | 23232...K | H2332(-HG) | FRM290/5 |

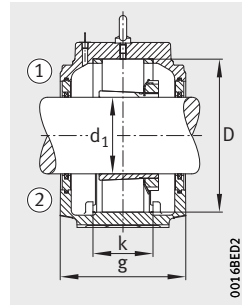
① Locating bearing. ② Non-locating bearing.



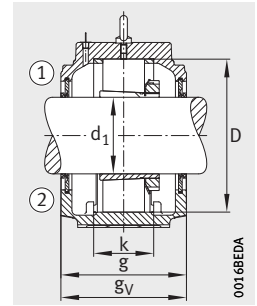
Double lip seal EDH
Cover EDKT



Felt seal EFS



Double lip seal EDH

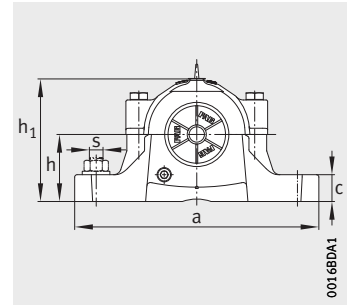
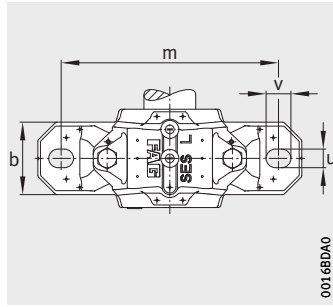


V ring seal EDH

| | | | | | | | | | Housing | |
|-----------------|------------|----------------|----------|-------------|----------|---------------|----------|------------|-------------------|---------------------|
| Double lip seal | Felt seal | Labyrinth seal | | V ring seal | | Taconite seal | | Cover | Mass m ≈ kg | Designation |
| | | | gL mm | | gv mm | | gr mm | | | |
| EDH524-624 | EFS524-624 | ETS524-624 | 199 | EDV524-624 | 185 | ETC524-624 | 260 | EDK524-620 | 56,7 | SES524-620-L |
| EDH524-624 | EFS524-624 | ETS524-624 | 201,5 | EDV524-624 | 187,5 | ETC524-624 | 262,5 | EDK524-620 | 47,5 | SES624-324-L |
| EDH524-624 | EFS524-624 | ETS524-624 | 199 | EDV524-624 | 185 | ETC524-624 | 260 | EDK524-620 | 56,7 | SES524-620-L |
| EDH524-624 | EFS524-624 | ETS524-624 | 199 | EDV524-624 | 185 | ETC524-624 | 260 | EDK524-620 | 56,7 | SES524-620-L |
| EDH524-624 | EFS524-624 | ETS524-624 | 201,5 | EDV524-624 | 187,5 | ETC524-624 | 262,5 | EDK524-620 | 47,5 | SES624-324-L |
| EDH524-624 | EFS524-624 | ETS524-624 | 199 | EDV524-624 | 185 | ETC524-624 | 260 | EDK524-620 | 56,7 | SES524-620-L |
| EDH526 | EFS526 | ETS526 | 207 | EDV526 | 190 | ETC526 | 265 | EDK526 | 33,1 | SES526-L |
| EDH526 | EFS526 | ETS526 | 207 | EDV526 | 190 | ETC526 | 265 | EDK526 | 33,1 | SES526-L |
| EDH526 | EFS526 | ETS526 | 207 | EDV526 | 190 | ETC526 | 265 | EDK526 | 33,1 | SES526-L |
| EDH526 | EFS526 | ETS526 | 207 | EDV526 | 190 | ETC526 | 265 | EDK526 | 33,1 | SES526-L |
| EDH528 | EFS528 | ETS528 | 222 | EDV528 | 205 | ETC528 | 285 | EDK528 | 40,3 | SES528-L |
| EDH528 | EFS528 | ETS528 | 222 | EDV528 | 205 | ETC528 | 285 | EDK528 | 40,3 | SES528-L |
| EDH528 | EFS528 | ETS528 | 222 | EDV528 | 205 | ETC528 | 285 | EDK528 | 40,3 | SES528-L |
| EDH528 | EFS528 | ETS528 | 222 | EDV528 | 205 | ETC528 | 285 | EDK528 | 40,3 | SES528-L |
| EDH530 | EFS530 | ETS530 | 237 | EDV530 | 220 | ETC530 | 295 | EDK530 | 48,5 | SES530-L |
| EDH530 | EFS530 | ETS530 | 237 | EDV530 | 220 | ETC530 | 295 | EDK530 | 48,5 | SES530-L |
| EDH530 | EFS530 | ETS530 | 237 | EDV530 | 220 | ETC530 | 295 | EDK530 | 48,5 | SES530-L |
| EDH530 | EFS530 | ETS530 | 237 | EDV530 | 220 | ETC530 | 295 | EDK530 | 48,5 | SES530-L |
| EDH532 | EFS532 | ETS532 | 252 | EDV532 | 235 | ETC532 | 315 | EDK532 | 56,7 | SES532-L |
| EDH532 | EFS532 | ETS532 | 252 | EDV532 | 235 | ETC532 | 315 | EDK532 | 56,7 | SES532-L |
| EDH532 | EFS532 | ETS532 | 252 | EDV532 | 235 | ETC532 | 315 | EDK532 | 56,7 | SES532-L |
| EDH532 | EFS532 | ETS532 | 252 | EDV532 | 235 | ETC532 | 315 | EDK532 | 56,7 | SES532-L |

Plummer block housings

SES, split
For bearings with cylindrical bore
Metric shaft

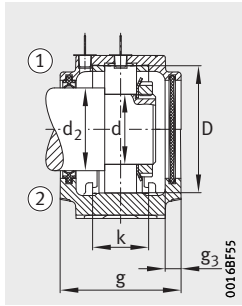


Dimension table · Dimensions in mm

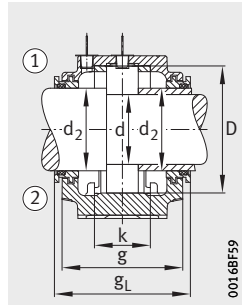
| Shaft | | Housing Dimensions | | | | | | | | | | | | | Bearing and accessories | |
|-------|----------------|--------------------|----------------|----|----|----|-----|-----|----|----|-----|----|----|----------------|-------------------------|---------------------------|
| d | d ₂ | h | h ₁ | g | b | c | a | m | v | u | s | D | k | g ₃ | Bearing | Locating ring 2 pieces |
| mm | mm | | | | | | | | | | | | | | | |
| 25 | 30 | 40 | 74 | 67 | 46 | 19 | 165 | 130 | 20 | 15 | M12 | 52 | 25 | 10 | 1205 | FRM52/5 |
| 25 | 30 | 50 | 89 | 77 | 52 | 22 | 185 | 150 | 20 | 15 | M12 | 62 | 32 | 10 | 1305 | FRM62/7,5 |
| 25 | 30 | 40 | 74 | 67 | 46 | 19 | 165 | 130 | 20 | 15 | M12 | 52 | 25 | 10 | 2205 | FRM52/3,5 |
| 25 | 30 | 50 | 89 | 77 | 52 | 22 | 185 | 150 | 20 | 15 | M12 | 62 | 32 | 10 | 2305 | FRM62/4 |
| 25 | 30 | 40 | 74 | 67 | 46 | 19 | 165 | 130 | 20 | 15 | M12 | 52 | 25 | 10 | 6205 | FRM52/5 |
| 25 | 30 | 50 | 89 | 77 | 52 | 22 | 185 | 150 | 20 | 15 | M12 | 62 | 32 | 10 | 6305 | FRM62/7,5 |
| 25 | 30 | 40 | 74 | 67 | 46 | 19 | 165 | 130 | 20 | 15 | M12 | 52 | 25 | 10 | 20205 | FRM52/5 |
| 25 | 30 | 50 | 89 | 77 | 52 | 22 | 185 | 150 | 20 | 15 | M12 | 62 | 32 | 10 | 20305 | FRM62/7,5 |
| 25 | 30 | 50 | 89 | 77 | 52 | 22 | 185 | 150 | 20 | 15 | M12 | 62 | 32 | 10 | 21305 | FRM62/7,5 |
| 25 | 30 | 40 | 74 | 67 | 46 | 19 | 165 | 130 | 20 | 15 | M12 | 52 | 25 | 10 | 22205 | FRM52/3,5 |
| 25 | 30 | 40 | 74 | 67 | 46 | 19 | 165 | 130 | 20 | 15 | M12 | 52 | 25 | 10 | WS22205-E1-2RSR | FRM52/1 |
| 25 | 30 | 40 | 74 | 67 | 46 | 19 | 165 | 130 | 20 | 15 | M12 | 52 | 25 | 10 | WS22205-E1-2RSR | FRM52/1 |
| 30 | 35 | 50 | 89 | 77 | 52 | 22 | 185 | 150 | 20 | 15 | M12 | 62 | 32 | 10 | 1206 | FRM62/8 |
| 30 | 35 | 50 | 93 | 82 | 52 | 22 | 185 | 150 | 20 | 15 | M12 | 72 | 34 | 11 | 1306 | FRM72/7,5 |
| 30 | 35 | 50 | 89 | 77 | 52 | 22 | 185 | 150 | 20 | 15 | M12 | 62 | 32 | 10 | 2206 | FRM62/6 |
| 30 | 35 | 50 | 93 | 82 | 52 | 22 | 185 | 150 | 20 | 15 | M12 | 72 | 34 | 11 | 2306 | FRM72/3,5 |
| 30 | 35 | 50 | 89 | 77 | 52 | 22 | 185 | 150 | 20 | 15 | M12 | 62 | 32 | 10 | 6206 | FRM62/8 |
| 30 | 35 | 50 | 93 | 82 | 52 | 22 | 185 | 150 | 20 | 15 | M12 | 72 | 34 | 11 | 6306 | FRM72/7,5 |
| 30 | 35 | 50 | 89 | 77 | 52 | 22 | 185 | 150 | 20 | 15 | M12 | 62 | 32 | 10 | 20206 | FRM62/8 |
| 30 | 35 | 50 | 93 | 82 | 52 | 22 | 185 | 150 | 20 | 15 | M12 | 72 | 34 | 11 | 20306 | FRM72/7,5 |
| 30 | 35 | 50 | 93 | 82 | 52 | 22 | 185 | 150 | 20 | 15 | M12 | 72 | 34 | 11 | 21306 | FRM72/7,5 |
| 30 | 35 | 50 | 89 | 77 | 52 | 22 | 185 | 150 | 20 | 15 | M12 | 62 | 32 | 10 | 22206 | FRM62/6 |
| 30 | 35 | 50 | 89 | 77 | 52 | 22 | 185 | 150 | 20 | 15 | M12 | 62 | 32 | 10 | WS22206-E1-2RSR | FRM62/3,5 |
| 30 | 35 | 50 | 89 | 77 | 52 | 22 | 185 | 150 | 20 | 15 | M12 | 62 | 32 | 10 | WS22206-E1-2RSR | FRM62/3,5 |

① Locating bearing, ② Non-locating bearing.

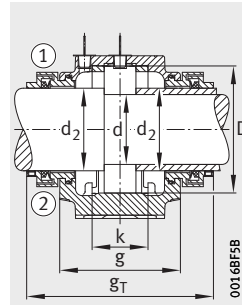
The spacer sleeve is not included in the scope of delivery.



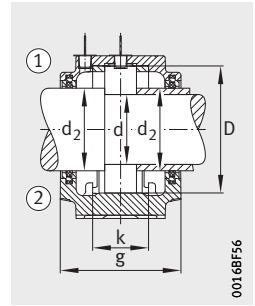
Double lip seal EDH
Cover EDK



Labyrinth seal ETS



Taconite seal ETC

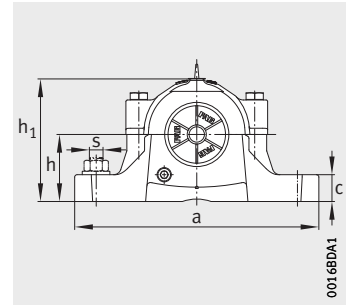
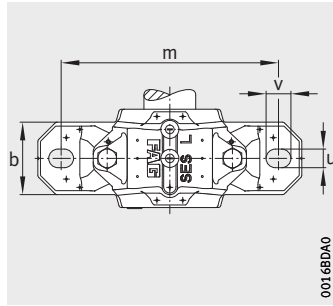


Felt seal EFS

| | | | | | | | | Housing | | |
|-----------------|------------|----------------|----------|-------------|----------|---------------|----------|------------|-------------------|---------------------|
| Double lip seal | Felt seal | Labyrinth seal | | V ring seal | | Taconite seal | | Cover | Mass m ≈ kg | Designation |
| | | | gL mm | | gv mm | | gT mm | | | |
| EDH205 | – | ETS205 | 90 | – | – | ETC205 | 140 | EDK506-605 | 1,6 | SES205-L |
| EDH507-305 | EFS507-305 | ETS507-305 | 90 | EDV507-305 | 77 | ETC507-305 | 140 | EDK507-606 | 2,4 | SES206-305-L |
| EDH205 | – | ETS205 | 90 | – | – | ETC205 | 140 | EDK506-605 | 1,6 | SES205-L |
| EDH507-305 | EFS507-305 | ETS507-305 | 90 | EDV507-305 | 77 | ETC507-305 | 140 | EDK507-606 | 2,4 | SES206-305-L |
| EDH205 | – | ETS205 | 90 | – | – | ETC205 | 140 | EDK506-605 | 1,6 | SES205-L |
| EDH507-305 | EFS507-305 | ETS507-305 | 90 | EDV507-305 | 77 | ETC507-305 | 140 | EDK507-606 | 2,4 | SES206-305-L |
| EDH205 | – | ETS205 | 90 | – | – | ETC205 | 140 | EDK506-605 | 1,6 | SES205-L |
| EDH507-305 | EFS507-305 | ETS507-305 | 90 | EDV507-305 | 77 | ETC507-305 | 140 | EDK507-606 | 2,4 | SES206-305-L |
| EDH507-305 | EFS507-305 | ETS507-305 | 90 | EDV507-305 | 77 | ETC507-305 | 140 | EDK507-606 | 2,4 | SES206-305-L |
| EDH205 | – | ETS205 | 90 | – | – | ETC205 | 140 | EDK506-605 | 1,6 | SES205-L |
| EDH205 | – | ETS205 | 90 | – | – | ETC205 | 140 | EDK506-605 | 1,6 | SES205-L |
| – | – | – | – | – | – | – | – | EDK505 | 1,45 | SES505-L |
| – | – | ETS206-306 | 89 | EDV206-306 | 77 | ETC206-306 | 150 | EDK507-606 | 2,4 | SES206-305-L |
| – | – | ETS206-306 | 93 | EDV206-306 | 81 | ETC206-306 | 154 | EDK507-606 | 2,27 | SES507-606-L |
| – | – | ETS206-306 | 89 | EDV206-306 | 77 | ETC206-306 | 150 | EDK507-606 | 2,4 | SES206-305-L |
| – | – | ETS206-306 | 93 | EDV206-306 | 81 | ETC206-306 | 154 | EDK507-606 | 2,27 | SES507-606-L |
| – | – | ETS206-306 | 89 | EDV206-306 | 77 | ETC206-306 | 150 | EDK507-606 | 2,4 | SES206-305-L |
| – | – | ETS206-306 | 93 | EDV206-306 | 81 | ETC206-306 | 154 | EDK507-606 | 2,27 | SES507-606-L |
| – | – | ETS206-306 | 89 | EDV206-306 | 77 | ETC206-306 | 150 | EDK507-606 | 2,4 | SES206-305-L |
| – | – | ETS206-306 | 93 | EDV206-306 | 81 | ETC206-306 | 154 | EDK507-606 | 2,27 | SES507-606-L |
| – | – | ETS206-306 | 89 | EDV206-306 | 77 | ETC206-306 | 150 | EDK507-606 | 2,4 | SES206-305-L |
| – | – | ETS206-306 | 93 | EDV206-306 | 81 | ETC206-306 | 154 | EDK507-606 | 2,27 | SES507-606-L |
| – | – | ETS206-306 | 89 | EDV206-306 | 77 | ETC206-306 | 150 | EDK507-606 | 2,4 | SES206-305-L |
| – | – | ETS206-306 | 89 | EDV206-306 | 77 | ETC206-306 | 150 | EDK507-606 | 2,4 | SES206-305-L |
| – | – | – | – | – | – | – | – | EDK506-605 | 2,12 | SES506-605-L |

Plummer block housings

SES, split
For bearings with cylindrical bore
Metric shaft

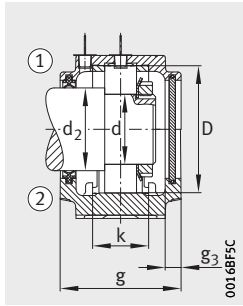


Dimension table (continued) - Dimensions in mm

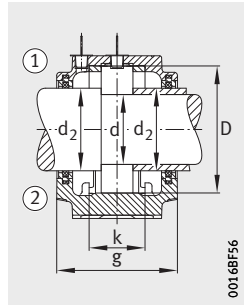
| Shaft | | Housing Dimensions | | | | | | | | | | | | | Bearing and accessories | |
|-------|----------------|--------------------|----------------|----|----|----|-----|-----|----|----|-----|----|----|----------------|-------------------------|---------------|
| d | d ₂ | h | h ₁ | g | b | c | a | m | v | u | s | D | k | g ₃ | Bearing | Locating ring |
| mm | mm | | | | | | | | | | | | | | | 2 pieces |
| 35 | 45 | 50 | 93 | 82 | 52 | 22 | 185 | 150 | 20 | 15 | M12 | 72 | 34 | 11 | 1207 | FRM72/8,5 |
| 35 | 45 | 60 | 108 | 85 | 60 | 25 | 205 | 170 | 20 | 15 | M12 | 80 | 39 | 11 | 1307 | FRM80/9 |
| 35 | 45 | 50 | 93 | 82 | 52 | 22 | 185 | 150 | 20 | 15 | M12 | 72 | 34 | 11 | 2207 | FRM72/5,5 |
| 35 | 45 | 60 | 108 | 85 | 60 | 25 | 205 | 170 | 20 | 15 | M12 | 80 | 39 | 11 | 2307 | FRM80/4 |
| 35 | 45 | 50 | 93 | 82 | 52 | 22 | 185 | 150 | 20 | 15 | M12 | 72 | 34 | 11 | 6207 | FRM72/8,5 |
| 35 | 45 | 60 | 108 | 85 | 60 | 25 | 205 | 170 | 20 | 15 | M12 | 80 | 39 | 11 | 6307 | FRM80/9 |
| 35 | 45 | 50 | 93 | 82 | 52 | 22 | 185 | 150 | 20 | 15 | M12 | 72 | 34 | 11 | 20207 | FRM72/8,5 |
| 35 | 45 | 60 | 108 | 85 | 60 | 25 | 205 | 170 | 20 | 15 | M12 | 80 | 39 | 11 | 20307 | FRM80/9 |
| 35 | 45 | 60 | 108 | 85 | 60 | 25 | 205 | 170 | 20 | 15 | M12 | 80 | 39 | 11 | 21307 | FRM80/9 |
| 35 | 45 | 50 | 93 | 82 | 52 | 22 | 185 | 150 | 20 | 15 | M12 | 72 | 34 | 11 | 22207 | FRM72/5,5 |
| 35 | 45 | 50 | 93 | 82 | 52 | 22 | 185 | 150 | 20 | 15 | M12 | 72 | 34 | 11 | WS22207-E1-2RSR | FRM72/3 |
| 35 | 45 | 50 | 93 | 82 | 52 | 22 | 185 | 150 | 20 | 15 | M12 | 72 | 34 | 11 | WS22207-E1-2RSR | FRM72/3 |
| 40 | 50 | 60 | 108 | 85 | 60 | 25 | 205 | 170 | 20 | 15 | M12 | 80 | 39 | 11 | 1208 | FRM80/10,5 |
| 40 | 50 | 60 | 113 | 90 | 60 | 25 | 205 | 170 | 20 | 15 | M12 | 90 | 41 | 12 | 1308 | FRM90/9 |
| 40 | 50 | 60 | 108 | 85 | 60 | 25 | 205 | 170 | 20 | 15 | M12 | 80 | 39 | 11 | 2208 | FRM80/8 |
| 40 | 50 | 60 | 113 | 90 | 60 | 25 | 205 | 170 | 20 | 15 | M12 | 90 | 41 | 12 | 2308 | FRM90/4 |
| 40 | 50 | 60 | 108 | 85 | 60 | 25 | 205 | 170 | 20 | 15 | M12 | 80 | 39 | 11 | 6208 | FRM80/10,5 |
| 40 | 50 | 60 | 108 | 85 | 60 | 25 | 205 | 170 | 20 | 15 | M12 | 80 | 39 | 11 | 20208 | FRM80/10,5 |
| 40 | 50 | 60 | 113 | 90 | 60 | 25 | 205 | 170 | 20 | 15 | M12 | 90 | 41 | 12 | 21308 | FRM90/9 |
| 40 | 50 | 60 | 108 | 85 | 60 | 25 | 205 | 170 | 20 | 15 | M12 | 80 | 39 | 11 | 22208 | FRM80/8 |
| 40 | 50 | 60 | 113 | 90 | 60 | 25 | 205 | 170 | 20 | 15 | M12 | 90 | 41 | 12 | 22308 | FRM90/4 |
| 40 | 50 | 60 | 108 | 85 | 60 | 25 | 205 | 170 | 20 | 15 | M12 | 80 | 39 | 11 | WS22208-E1-2RSR | FRM80/5,5 |
| 40 | 50 | 60 | 108 | 85 | 60 | 25 | 205 | 170 | 20 | 15 | M12 | 80 | 39 | 11 | WS22208-E1-2RSR | FRM80/5,5 |
| 40 | 50 | 60 | 113 | 90 | 60 | 25 | 205 | 170 | 20 | 15 | M12 | 90 | 41 | 12 | WS22308-E1-2RSR | FRM90/1,5 |

① Locating bearing. ② Non-locating bearing.

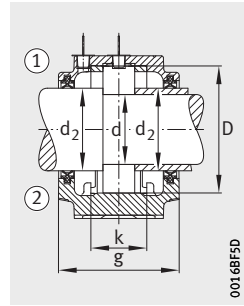
The spacer sleeve is not included in the scope of delivery.



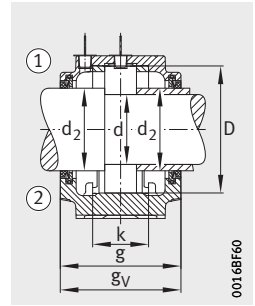
Double lip seal EDH
Cover EDKT



Felt seal EFS



Double lip seal EDH

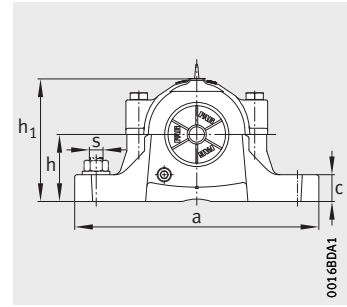
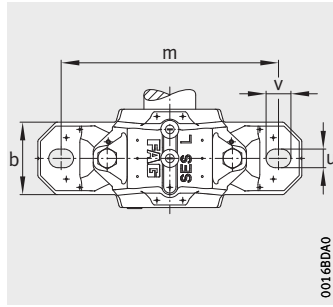


V ring seal EDH

| | | | | | | | | Housing | | |
|-----------------|------------|----------------|----------------------|-------------|----------------------|---------------|----------------------|------------|-------------------|---------------------|
| Double lip seal | Felt seal | Labyrinth seal | | V ring seal | | Taconite seal | | Cover | Mass m ≈ kg | Designation |
| | | | g _L mm | | g _v mm | | g _T mm | | | |
| – | – | ETS207 | 96 | EDV207 | 82 | ETC207 | 160 | EDK509 | 2,1 | SES207-L |
| EDH510-307 | EFS510-307 | ETS510-307 | 99 | EDV510-307 | 85 | ETC510-307 | 145 | EDK510-608 | 3,53 | SES208-307-L |
| – | – | ETS207 | 96 | EDV207 | 82 | ETC207 | 160 | EDK509 | 2,1 | SES207-L |
| EDH510-307 | EFS510-307 | ETS510-307 | 99 | EDV510-307 | 85 | ETC510-307 | 145 | EDK510-608 | 3,53 | SES208-307-L |
| – | – | ETS207 | 96 | EDV207 | 82 | ETC207 | 160 | EDK509 | 2,1 | SES207-L |
| EDH510-307 | EFS510-307 | ETS510-307 | 99 | EDV510-307 | 85 | ETC510-307 | 145 | EDK510-608 | 3,53 | SES208-307-L |
| – | – | ETS207 | 96 | EDV207 | 82 | ETC207 | 160 | EDK509 | 2,1 | SES207-L |
| EDH510-307 | EFS510-307 | ETS510-307 | 99 | EDV510-307 | 85 | ETC510-307 | 145 | EDK510-608 | 3,53 | SES208-307-L |
| EDH510-307 | EFS510-307 | ETS510-307 | 99 | EDV510-307 | 85 | ETC510-307 | 145 | EDK510-608 | 3,53 | SES208-307-L |
| – | – | ETS207 | 96 | EDV207 | 82 | ETC207 | 160 | EDK509 | 2,1 | SES207-L |
| – | – | ETS207 | 96 | EDV207 | 82 | ETC207 | 160 | EDK509 | 2,1 | SES207-L |
| – | – | – | – | – | – | – | – | EDK507-606 | 2,27 | SES507-606-L |
| EDH208-308 | EFS208-308 | ETS208-308 | 98 | EDV208-308 | 85 | ETC208-308 | 160 | EDK510-608 | 3,53 | SES208-307-L |
| EDH208-308 | EFS208-308 | ETS208-308 | 101 | EDV208-308 | 88 | ETC208-308 | 163 | EDK510-608 | 3,27 | SES510-608-L |
| EDH208-308 | EFS208-308 | ETS208-308 | 98 | EDV208-308 | 85 | ETC208-308 | 160 | EDK510-608 | 3,53 | SES208-307-L |
| EDH208-308 | EFS208-308 | ETS208-308 | 101 | EDV208-308 | 88 | ETC208-308 | 163 | EDK510-608 | 3,27 | SES510-608-L |
| EDH208-308 | EFS208-308 | ETS208-308 | 98 | EDV208-308 | 85 | ETC208-308 | 160 | EDK510-608 | 3,53 | SES208-307-L |
| EDH208-308 | EFS208-308 | ETS208-308 | 98 | EDV208-308 | 85 | ETC208-308 | 160 | EDK510-608 | 3,53 | SES208-307-L |
| EDH208-308 | EFS208-308 | ETS208-308 | 101 | EDV208-308 | 88 | ETC208-308 | 163 | EDK510-608 | 3,27 | SES510-608-L |
| EDH208-308 | EFS208-308 | ETS208-308 | 98 | EDV208-308 | 85 | ETC208-308 | 160 | EDK510-608 | 3,53 | SES208-307-L |
| EDH208-308 | EFS208-308 | ETS208-308 | 101 | EDV208-308 | 88 | ETC208-308 | 163 | EDK510-608 | 3,27 | SES510-608-L |
| EDH208-308 | EFS208-308 | ETS208-308 | 98 | EDV208-308 | 85 | ETC208-308 | 160 | EDK510-608 | 3,53 | SES208-307-L |
| – | – | – | – | – | – | – | – | EDK508-607 | 2,95 | SES508-607-L |
| EDH208-308 | EFS208-308 | ETS208-308 | 101 | EDV208-308 | 88 | ETC208-308 | 163 | EDK510-608 | 3,27 | SES510-608-L |

Plummer block housings

SES, split
For bearings with cylindrical bore
Metric shaft

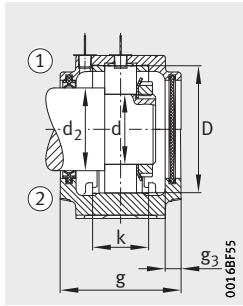


Dimension table (continued) - Dimensions in mm

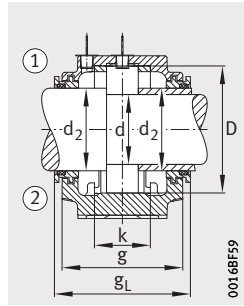
| Shaft | | Housing Dimensions | | | | | | | | | | | | | Bearing and accessories | |
|-------|----------------|--------------------|----------------|-----|----|----|-----|-----|----|----|-----|-----|----|----------------|-------------------------|---------------|
| d | d ₂ | h | h ₁ | g | b | c | a | m | v | u | s | D | k | g ₃ | Bearing | Locating ring |
| mm | mm | | | | | | | | | | | | | | | 2 pieces |
| 45 | 55 | 60 | 109 | 85 | 60 | 25 | 205 | 170 | 20 | 15 | M12 | 85 | 30 | 12 | 1209 | FRM85/5,5 |
| 45 | 55 | 70 | 128 | 95 | 70 | 28 | 255 | 210 | 24 | 18 | M16 | 100 | 44 | 12 | 1309 | FRM100/9,5 |
| 45 | 55 | 60 | 109 | 85 | 60 | 25 | 205 | 170 | 20 | 15 | M12 | 85 | 30 | 12 | 2209 | FRM85/3,5 |
| 45 | 55 | 70 | 128 | 95 | 70 | 28 | 255 | 210 | 24 | 18 | M16 | 100 | 44 | 12 | 2309 | FRM100/4 |
| 45 | 55 | 60 | 109 | 85 | 60 | 25 | 205 | 170 | 20 | 15 | M12 | 85 | 30 | 12 | 6209 | FRM85/5,5 |
| 45 | 55 | 70 | 128 | 95 | 70 | 28 | 255 | 210 | 24 | 18 | M16 | 100 | 44 | 12 | 6309 | FRM100/9,5 |
| 45 | 55 | 60 | 109 | 85 | 60 | 25 | 205 | 170 | 20 | 15 | M12 | 85 | 30 | 12 | 20209 | FRM85/5,5 |
| 45 | 55 | 70 | 128 | 95 | 70 | 28 | 255 | 210 | 24 | 18 | M16 | 100 | 44 | 12 | 20309 | FRM100/9,5 |
| 45 | 55 | 70 | 128 | 95 | 70 | 28 | 255 | 210 | 24 | 18 | M16 | 100 | 44 | 12 | 21309 | FRM100/9,5 |
| 45 | 55 | 60 | 109 | 85 | 60 | 25 | 205 | 170 | 20 | 15 | M12 | 85 | 30 | 12 | 22209 | FRM85/3,5 |
| 45 | 55 | 70 | 128 | 95 | 70 | 28 | 255 | 210 | 24 | 18 | M16 | 100 | 44 | 12 | 22309 | FRM100/4 |
| 45 | 55 | 60 | 109 | 85 | 60 | 25 | 205 | 170 | 20 | 15 | M12 | 85 | 30 | 12 | WS22209-E1-2RSR | FRM85/1 |
| 45 | 55 | 60 | 109 | 85 | 60 | 25 | 205 | 170 | 20 | 15 | M12 | 85 | 30 | 12 | WS22209-E1-2RSR | FRM85/1 |
| 50 | 60 | 60 | 113 | 90 | 60 | 25 | 205 | 170 | 20 | 15 | M12 | 90 | 41 | 12 | 1210 | FRM90/10,5 |
| 50 | 60 | 70 | 134 | 105 | 70 | 30 | 255 | 210 | 24 | 18 | M16 | 110 | 48 | 12 | 1310 | FRM110/10,5 |
| 50 | 60 | 60 | 113 | 90 | 60 | 25 | 205 | 170 | 20 | 15 | M12 | 90 | 41 | 12 | 2210 | FRM90/9 |
| 50 | 60 | 70 | 134 | 105 | 70 | 30 | 255 | 210 | 24 | 18 | M16 | 110 | 48 | 12 | 2310 | FRM110/4 |
| 50 | 60 | 60 | 113 | 90 | 60 | 25 | 205 | 170 | 20 | 15 | M12 | 90 | 41 | 12 | 6210 | FRM90/10,5 |
| 50 | 60 | 70 | 134 | 105 | 70 | 30 | 255 | 210 | 24 | 18 | M16 | 110 | 48 | 12 | 6310 | FRM110/10,5 |
| 50 | 60 | 60 | 113 | 90 | 60 | 25 | 205 | 170 | 20 | 15 | M12 | 90 | 41 | 12 | 20210 | FRM90/10,5 |
| 50 | 60 | 70 | 134 | 105 | 70 | 30 | 255 | 210 | 24 | 18 | M16 | 110 | 48 | 12 | 20310 | FRM110/10,5 |
| 50 | 60 | 70 | 134 | 105 | 70 | 30 | 255 | 210 | 24 | 18 | M16 | 110 | 48 | 12 | 21310 | FRM110/10,5 |
| 50 | 60 | 60 | 113 | 90 | 60 | 25 | 205 | 170 | 20 | 15 | M12 | 90 | 41 | 12 | 22210 | FRM90/9 |
| 50 | 60 | 70 | 134 | 105 | 70 | 30 | 255 | 210 | 24 | 18 | M16 | 110 | 48 | 12 | 22310 | FRM110/4 |
| 50 | 60 | 60 | 113 | 90 | 60 | 25 | 205 | 170 | 20 | 15 | M12 | 90 | 41 | 12 | WS22210-E1-2RSR | FRM90/6,5 |
| 50 | 60 | 60 | 113 | 90 | 60 | 25 | 205 | 170 | 20 | 15 | M12 | 90 | 41 | 12 | WS22210-E1-2RSR | FRM90/6,5 |

① Locating bearing. ② Non-locating bearing.

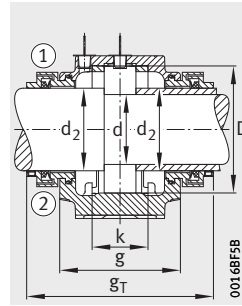
The spacer sleeve is not included in the scope of delivery.



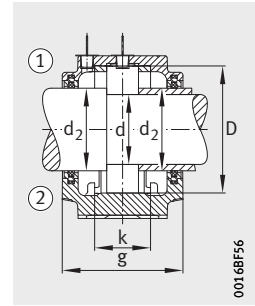
Double lip seal EDH
Cover EDK



Labyrinth seal ETS



Taconite seal ETC

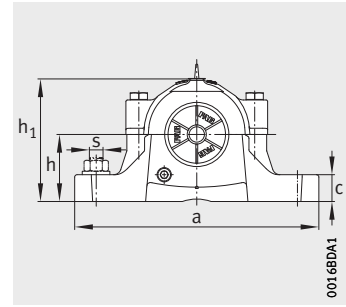
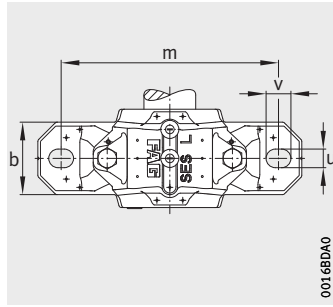


Felt seal EFS

| | | | | | | | | Housing | | |
|-----------------|------------|----------------|----------------------|-------------|----------------------|---------------|----------------------|------------|-------------------|---------------------|
| Double lip seal | Felt seal | Labyrinth seal | | V ring seal | | Taconite seal | | Cover | Mass m ≈ kg | Designation |
| | | | g _L mm | | g _v mm | | g _T mm | | | |
| EDH209-309 | EFS209-309 | ETS209-309 | 97 | EDV209-309 | 85 | ETC209-309 | 160 | EDK511-609 | 3,63 | SES209-L |
| EDH209-309 | EFS209-309 | ETS209-309 | 107 | EDV209-309 | 95 | ETC209-309 | 170 | EDK511-609 | 4,41 | SES511-609-L |
| EDH209-309 | EFS209-309 | ETS209-309 | 97 | EDV209-309 | 85 | ETC209-309 | 160 | EDK511-609 | 3,63 | SES209-L |
| EDH209-309 | EFS209-309 | ETS209-309 | 107 | EDV209-309 | 95 | ETC209-309 | 170 | EDK511-609 | 4,41 | SES511-609-L |
| EDH209-309 | EFS209-309 | ETS209-309 | 97 | EDV209-309 | 85 | ETC209-309 | 160 | EDK511-609 | 3,63 | SES209-L |
| EDH209-309 | EFS209-309 | ETS209-309 | 107 | EDV209-309 | 95 | ETC209-309 | 170 | EDK511-609 | 4,41 | SES511-609-L |
| EDH209-309 | EFS209-309 | ETS209-309 | 97 | EDV209-309 | 85 | ETC209-309 | 160 | EDK511-609 | 3,63 | SES209-L |
| EDH209-309 | EFS209-309 | ETS209-309 | 107 | EDV209-309 | 95 | ETC209-309 | 170 | EDK511-609 | 4,41 | SES511-609-L |
| EDH209-309 | EFS209-309 | ETS209-309 | 107 | EDV209-309 | 95 | ETC209-309 | 170 | EDK511-609 | 4,41 | SES511-609-L |
| EDH209-309 | EFS209-309 | ETS209-309 | 97 | EDV209-309 | 85 | ETC209-309 | 160 | EDK511-609 | 3,63 | SES209-L |
| EDH209-309 | EFS209-309 | ETS209-309 | 107 | EDV209-309 | 95 | ETC209-309 | 170 | EDK511-609 | 4,41 | SES511-609-L |
| EDH209-309 | EFS209-309 | ETS209-309 | 97 | EDV209-309 | 85 | ETC209-309 | 160 | EDK511-609 | 3,63 | SES209-L |
| - | - | - | - | - | - | - | - | EDK509 | 3,1 | SES509-L |
| EDH210-310 | EFS210-310 | ETS210-310 | 102 | EDV210-310 | 90 | ETC210-310 | 165 | EDK512-610 | 3,81 | SES210-L |
| EDH210-310 | EFS210-310 | ETS210-310 | 117 | EDV210-310 | 105 | ETC210-310 | 180 | EDK512-610 | 5,2 | SES512-610-L |
| EDH210-310 | EFS210-310 | ETS210-310 | 102 | EDV210-310 | 90 | ETC210-310 | 165 | EDK512-610 | 3,81 | SES210-L |
| EDH210-310 | EFS210-310 | ETS210-310 | 117 | EDV210-310 | 105 | ETC210-310 | 180 | EDK512-610 | 5,2 | SES512-610-L |
| EDH210-310 | EFS210-310 | ETS210-310 | 102 | EDV210-310 | 90 | ETC210-310 | 165 | EDK512-610 | 3,81 | SES210-L |
| EDH210-310 | EFS210-310 | ETS210-310 | 117 | EDV210-310 | 105 | ETC210-310 | 180 | EDK512-610 | 5,2 | SES512-610-L |
| EDH210-310 | EFS210-310 | ETS210-310 | 102 | EDV210-310 | 90 | ETC210-310 | 165 | EDK512-610 | 3,81 | SES210-L |
| EDH210-310 | EFS210-310 | ETS210-310 | 117 | EDV210-310 | 105 | ETC210-310 | 180 | EDK512-610 | 5,2 | SES512-610-L |
| EDH210-310 | EFS210-310 | ETS210-310 | 117 | EDV210-310 | 105 | ETC210-310 | 180 | EDK512-610 | 5,2 | SES512-610-L |
| EDH210-310 | EFS210-310 | ETS210-310 | 102 | EDV210-310 | 90 | ETC210-310 | 165 | EDK512-610 | 3,81 | SES210-L |
| EDH210-310 | EFS210-310 | ETS210-310 | 117 | EDV210-310 | 105 | ETC210-310 | 180 | EDK512-610 | 5,2 | SES512-610-L |
| EDH210-310 | EFS210-310 | ETS210-310 | 102 | EDV210-310 | 90 | ETC210-310 | 165 | EDK512-610 | 3,81 | SES210-L |
| EDH210-310 | EFS210-310 | ETS210-310 | 102 | EDV210-310 | 90 | ETC210-310 | 165 | EDK510-608 | 3,27 | SES510-608-L |
| - | - | - | - | - | - | - | - | | | |

Plummer block housings

SES, split
For bearings with cylindrical bore
Metric shaft

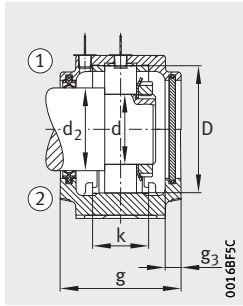


Dimension table (continued) - Dimensions in mm

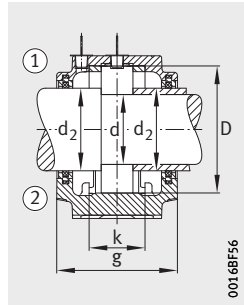
| Shaft | | Housing Dimensions | | | | | | | | | | | Bearing and accessories | | | |
|-------|----------------|--------------------|----------------|-----|----|----|-----|-----|----|----|-----|-----|-------------------------|----------------|-----------------|---------------|
| d | d ₂ | h | h ₁ | g | b | c | a | m | v | u | s | D | k | g ₃ | Bearing | Locating ring |
| mm | mm | | | | | | | | | | | | | | | 2 pieces |
| 55 | 65 | 70 | 128 | 95 | 70 | 28 | 255 | 210 | 24 | 18 | M16 | 100 | 44 | 12 | 1211 | FRM100/11,5 |
| 55 | 65 | 80 | 150 | 110 | 80 | 30 | 275 | 230 | 24 | 18 | M16 | 120 | 51 | 13 | 1311 | FRM120/11 |
| 55 | 65 | 70 | 128 | 95 | 70 | 28 | 255 | 210 | 24 | 18 | M16 | 100 | 44 | 12 | 2211 | FRM100/9,5 |
| 55 | 65 | 80 | 150 | 110 | 80 | 30 | 275 | 230 | 24 | 18 | M16 | 120 | 51 | 13 | 2311 | FRM120/4 |
| 55 | 65 | 70 | 128 | 95 | 70 | 28 | 255 | 210 | 24 | 18 | M16 | 100 | 44 | 12 | 6211 | FRM100/11,5 |
| 55 | 65 | 80 | 150 | 110 | 80 | 30 | 275 | 230 | 24 | 18 | M16 | 120 | 51 | 13 | 6311 | FRM120/11 |
| 55 | 65 | 70 | 128 | 95 | 70 | 28 | 255 | 210 | 24 | 18 | M16 | 100 | 44 | 12 | 20211 | FRM100/11,5 |
| 55 | 65 | 80 | 150 | 110 | 80 | 30 | 275 | 230 | 24 | 18 | M16 | 120 | 51 | 13 | 20311 | FRM120/11 |
| 55 | 65 | 80 | 150 | 110 | 80 | 30 | 275 | 230 | 24 | 18 | M16 | 120 | 51 | 13 | 21311 | FRM120/11 |
| 55 | 65 | 70 | 128 | 95 | 70 | 28 | 255 | 210 | 24 | 18 | M16 | 100 | 44 | 12 | 22211 | FRM100/9,5 |
| 55 | 65 | 80 | 150 | 110 | 80 | 30 | 275 | 230 | 24 | 18 | M16 | 120 | 51 | 13 | 22311 | FRM120/4 |
| 55 | 65 | 70 | 128 | 95 | 70 | 28 | 255 | 210 | 24 | 18 | M16 | 100 | 44 | 12 | WS22211-E1-2RSR | FRM100/6,5 |
| 55 | 65 | 70 | 128 | 95 | 70 | 28 | 255 | 210 | 24 | 18 | M16 | 100 | 44 | 12 | WS22211-E1-2RSR | FRM100/6,5 |
| 55 | 65 | 80 | 150 | 110 | 80 | 30 | 275 | 230 | 24 | 18 | M16 | 120 | 51 | 13 | WS22311-E1-2RSR | FRM120/1 |
| 60 | 70 | 70 | 134 | 105 | 70 | 30 | 255 | 210 | 24 | 18 | M16 | 110 | 48 | 12 | 1212 | FRM110/13 |
| 60 | 70 | 80 | 156 | 115 | 80 | 30 | 280 | 230 | 24 | 18 | M16 | 130 | 56 | 13 | 1312 | FRM130/12,5 |
| 60 | 70 | 70 | 134 | 105 | 70 | 30 | 255 | 210 | 24 | 18 | M16 | 110 | 48 | 12 | 2212 | FRM110/10 |
| 60 | 70 | 80 | 156 | 115 | 80 | 30 | 280 | 230 | 24 | 18 | M16 | 130 | 56 | 13 | 2312 | FRM130/5 |
| 60 | 70 | 70 | 134 | 105 | 70 | 30 | 255 | 210 | 24 | 18 | M16 | 110 | 48 | 12 | 6212 | FRM110/13 |
| 60 | 70 | 80 | 156 | 115 | 80 | 30 | 280 | 230 | 24 | 18 | M16 | 130 | 56 | 13 | 6312 | FRM130/12,5 |
| 60 | 70 | 70 | 134 | 105 | 70 | 30 | 255 | 210 | 24 | 18 | M16 | 110 | 48 | 12 | 20212 | FRM110/13 |
| 60 | 70 | 80 | 156 | 115 | 80 | 30 | 280 | 230 | 24 | 18 | M16 | 130 | 56 | 13 | 20312 | FRM130/12,5 |
| 60 | 70 | 80 | 156 | 115 | 80 | 30 | 280 | 230 | 24 | 18 | M16 | 130 | 56 | 13 | 21312 | FRM130/12,5 |
| 60 | 70 | 70 | 134 | 105 | 70 | 30 | 255 | 210 | 24 | 18 | M16 | 110 | 48 | 12 | 22212 | FRM110/10 |
| 60 | 70 | 80 | 156 | 115 | 80 | 30 | 280 | 230 | 24 | 18 | M16 | 130 | 56 | 13 | 22312 | FRM130/5 |
| 60 | 70 | 70 | 134 | 105 | 70 | 30 | 255 | 210 | 24 | 18 | M16 | 110 | 48 | 12 | WS22212-E1-2RSR | FRM110/7 |
| 60 | 70 | 70 | 134 | 105 | 70 | 30 | 255 | 210 | 24 | 18 | M16 | 110 | 48 | 12 | WS22212-E1-2RSR | FRM110/7 |

① Locating bearing. ② Non-locating bearing.

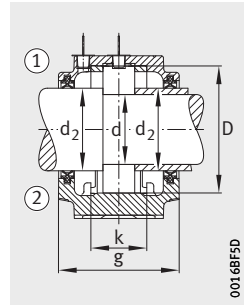
The spacer sleeve is not included in the scope of delivery.



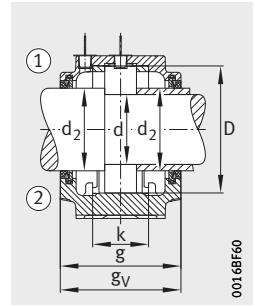
Double lip seal EDH
Cover EDKT



Felt seal EFS



Double lip seal EDH

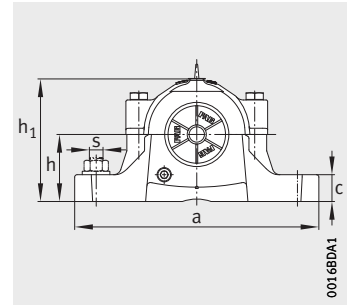
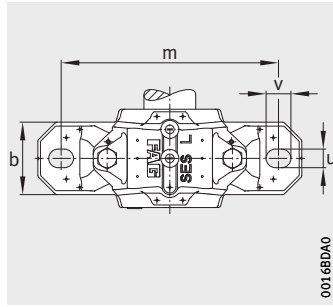


V ring seal EDH

| | | | | | | | | Housing | | |
|-----------------|------------|----------------|----------------------|-------------|----------------------|---------------|----------------------|------------|-------------------|---------------------|
| Double lip seal | Felt seal | Labyrinth seal | | V ring seal | | Taconite seal | | Cover | Mass m ≈ kg | Designation |
| | | | g _L mm | | g _v mm | | g _T mm | | | |
| EDH211-311 | EFS211-311 | ETS211-311 | 107 | EDV211-311 | 95 | ETC211-311 | 170 | EDK513-611 | 4,18 | SES211-L |
| EDH211-311 | EFS211-311 | ETS211-311 | 122 | EDV211-311 | 110 | ETC211-311 | 185 | EDK513-611 | 6,5 | SES513-611-L |
| EDH211-311 | EFS211-311 | ETS211-311 | 107 | EDV211-311 | 95 | ETC211-311 | 170 | EDK513-611 | 4,18 | SES211-L |
| EDH211-311 | EFS211-311 | ETS211-311 | 122 | EDV211-311 | 110 | ETC211-311 | 185 | EDK513-611 | 6,5 | SES513-611-L |
| EDH211-311 | EFS211-311 | ETS211-311 | 107 | EDV211-311 | 95 | ETC211-311 | 170 | EDK513-611 | 4,18 | SES211-L |
| EDH211-311 | EFS211-311 | ETS211-311 | 122 | EDV211-311 | 110 | ETC211-311 | 185 | EDK513-611 | 6,5 | SES513-611-L |
| EDH211-311 | EFS211-311 | ETS211-311 | 107 | EDV211-311 | 95 | ETC211-311 | 170 | EDK513-611 | 4,18 | SES211-L |
| EDH211-311 | EFS211-311 | ETS211-311 | 122 | EDV211-311 | 110 | ETC211-311 | 185 | EDK513-611 | 6,5 | SES513-611-L |
| EDH211-311 | EFS211-311 | ETS211-311 | 107 | EDV211-311 | 95 | ETC211-311 | 170 | EDK513-611 | 4,18 | SES211-L |
| EDH211-311 | EFS211-311 | ETS211-311 | 122 | EDV211-311 | 110 | ETC211-311 | 185 | EDK513-611 | 6,5 | SES513-611-L |
| EDH211-311 | EFS211-311 | ETS211-311 | 107 | EDV211-311 | 95 | ETC211-311 | 170 | EDK513-611 | 4,18 | SES211-L |
| - | - | - | - | - | - | - | - | EDK511-609 | 4,41 | SES511-609-L |
| EDH211-311 | EFS211-311 | ETS211-311 | 122 | EDV211-311 | 110 | ETC211-311 | 185 | EDK513-611 | 6,5 | SES513-611-L |
| - | - | ETS212-312 | 117 | EDV212-312 | 105 | ETC212-312 | 185 | EDK515-612 | 4,82 | SES212-L |
| - | - | ETS212-312 | 127 | EDV212-312 | 115 | ETC212-312 | 195 | EDK515-612 | 7 | SES515-612-L |
| - | - | ETS212-312 | 117 | EDV212-312 | 105 | ETC212-312 | 185 | EDK515-612 | 4,82 | SES212-L |
| - | - | ETS212-312 | 127 | EDV212-312 | 115 | ETC212-312 | 195 | EDK515-612 | 7 | SES515-612-L |
| - | - | ETS212-312 | 117 | EDV212-312 | 105 | ETC212-312 | 185 | EDK515-612 | 4,82 | SES212-L |
| - | - | ETS212-312 | 127 | EDV212-312 | 115 | ETC212-312 | 195 | EDK515-612 | 7 | SES515-612-L |
| - | - | ETS212-312 | 117 | EDV212-312 | 105 | ETC212-312 | 185 | EDK515-612 | 4,82 | SES212-L |
| - | - | ETS212-312 | 127 | EDV212-312 | 115 | ETC212-312 | 195 | EDK515-612 | 7 | SES515-612-L |
| - | - | ETS212-312 | 117 | EDV212-312 | 105 | ETC212-312 | 185 | EDK515-612 | 4,82 | SES212-L |
| - | - | ETS212-312 | 127 | EDV212-312 | 115 | ETC212-312 | 195 | EDK515-612 | 7 | SES515-612-L |
| - | - | ETS212-312 | 117 | EDV212-312 | 105 | ETC212-312 | 185 | EDK515-612 | 4,82 | SES212-L |
| - | - | ETS212-312 | 127 | EDV212-312 | 115 | ETC212-312 | 195 | EDK515-612 | 7 | SES515-612-L |
| - | - | ETS212-312 | 117 | EDV212-312 | 105 | ETC212-312 | 185 | EDK515-612 | 4,82 | SES212-L |
| - | - | - | - | - | - | - | - | EDK512-610 | 5,2 | SES512-610-L |

Plummer block housings

SES, split
For bearings with cylindrical bore
Metric shaft



Dimension table (continued) - Dimensions in mm

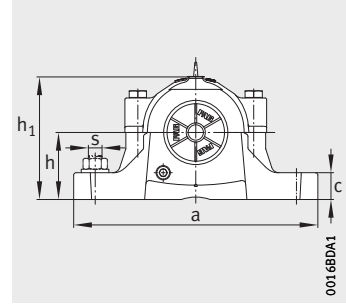
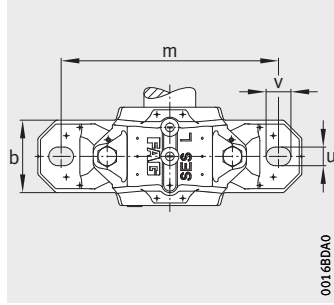
| Shaft | | Housing Dimensions | | | | | | | | | | | Bearing and accessories | | | |
|-------|----------------|--------------------|----------------|-----|-----|----|-----|-----|----|----|-----|-----|-------------------------|----------------|-----------------|---------------|
| d | d ₂ | h | h ₁ | g | b | c | a | m | v | u | s | D | k | g ₃ | Bearing | Locating ring |
| mm | mm | | | | | | | | | | | | | | | 2 pieces |
| 65 | 75 | 80 | 150 | 110 | 80 | 30 | 275 | 230 | 24 | 18 | M16 | 120 | 51 | 13 | 1213 | FRM120/14 |
| 65 | 75 | 95 | 177 | 120 | 90 | 32 | 315 | 260 | 28 | 22 | M20 | 140 | 58 | 13 | 1313 | FRM140/12,5 |
| 65 | 75 | 80 | 150 | 110 | 80 | 30 | 275 | 230 | 24 | 18 | M16 | 120 | 51 | 13 | 2213 | FRM120/10 |
| 65 | 75 | 95 | 177 | 120 | 90 | 32 | 315 | 260 | 28 | 22 | M20 | 140 | 58 | 13 | 2313 | FRM140/5 |
| 65 | 75 | 80 | 150 | 110 | 80 | 30 | 275 | 230 | 24 | 18 | M16 | 120 | 51 | 13 | 6213 | FRM120/14 |
| 65 | 75 | 95 | 177 | 120 | 90 | 32 | 315 | 260 | 28 | 22 | M20 | 140 | 58 | 13 | 6313 | FRM140/12,5 |
| 65 | 75 | 80 | 150 | 110 | 80 | 30 | 275 | 230 | 24 | 18 | M16 | 120 | 51 | 13 | 20213 | FRM120/14 |
| 65 | 75 | 95 | 177 | 120 | 90 | 32 | 315 | 260 | 28 | 22 | M20 | 140 | 58 | 13 | 20313 | FRM140/12,5 |
| 65 | 75 | 95 | 177 | 120 | 90 | 32 | 315 | 260 | 28 | 22 | M20 | 140 | 58 | 13 | 21313 | FRM140/12,5 |
| 65 | 75 | 80 | 150 | 110 | 80 | 30 | 275 | 230 | 24 | 18 | M16 | 120 | 51 | 13 | 22213 | FRM120/10 |
| 65 | 75 | 95 | 177 | 120 | 90 | 32 | 315 | 260 | 28 | 22 | M20 | 140 | 58 | 13 | 22313 | FRM140/5 |
| 65 | 75 | 80 | 150 | 110 | 80 | 30 | 275 | 230 | 24 | 18 | M16 | 120 | 51 | 13 | WS22213-E1-2RSR | FRM120/6,5 |
| 65 | 75 | 80 | 150 | 110 | 80 | 30 | 275 | 230 | 24 | 18 | M16 | 120 | 51 | 13 | WS22213-E1-2RSR | FRM120/6,5 |
| 70 | 80 | 95 | 183 | 125 | 90 | 32 | 320 | 260 | 28 | 22 | M20 | 150 | 61 | 13 | 1314 | FRM150/13 |
| 70 | 80 | 95 | 183 | 125 | 90 | 32 | 320 | 260 | 28 | 22 | M20 | 150 | 61 | 13 | 2314 | FRM150/5 |
| 70 | 80 | 95 | 183 | 125 | 90 | 32 | 320 | 260 | 28 | 22 | M20 | 150 | 61 | 13 | 6314 | FRM150/13 |
| 70 | 80 | 95 | 183 | 125 | 90 | 32 | 320 | 260 | 28 | 22 | M20 | 150 | 61 | 13 | 20314 | FRM150/13 |
| 70 | 80 | 95 | 183 | 125 | 90 | 32 | 320 | 260 | 28 | 22 | M20 | 150 | 61 | 13 | 21314 | FRM150/13 |
| 70 | 80 | 95 | 183 | 125 | 90 | 32 | 320 | 260 | 28 | 22 | M20 | 150 | 61 | 13 | 22314 | FRM150/5 |
| 75 | 85 | 80 | 156 | 115 | 80 | 30 | 280 | 230 | 24 | 18 | M16 | 130 | 56 | 13 | 1215 | FRM130/15,5 |
| 75 | 85 | 100 | 194 | 140 | 100 | 35 | 345 | 290 | 28 | 22 | M20 | 160 | 65 | 13 | 1315 | FRM160/14 |
| 75 | 85 | 80 | 156 | 115 | 80 | 30 | 280 | 230 | 24 | 18 | M16 | 130 | 56 | 13 | 2215 | FRM130/12,5 |
| 75 | 85 | 100 | 194 | 140 | 100 | 35 | 345 | 290 | 28 | 22 | M20 | 160 | 65 | 13 | 2315 | FRM160/5 |
| 75 | 85 | 80 | 156 | 115 | 80 | 30 | 280 | 230 | 24 | 18 | M16 | 130 | 56 | 13 | 6215 | FRM130/15,5 |
| 75 | 85 | 100 | 194 | 140 | 100 | 35 | 345 | 290 | 28 | 22 | M20 | 160 | 65 | 13 | 6315 | FRM160/14 |
| 75 | 85 | 80 | 156 | 115 | 80 | 30 | 280 | 230 | 24 | 18 | M16 | 130 | 56 | 13 | 20215 | FRM130/15,5 |
| 75 | 85 | 100 | 194 | 140 | 100 | 35 | 345 | 290 | 28 | 22 | M20 | 160 | 65 | 13 | 20315 | FRM160/14 |
| 75 | 85 | 100 | 194 | 140 | 100 | 35 | 345 | 290 | 28 | 22 | M20 | 160 | 65 | 13 | 21315 | FRM160/14 |
| 75 | 85 | 80 | 156 | 115 | 80 | 30 | 280 | 230 | 24 | 18 | M16 | 130 | 56 | 13 | 22215 | FRM130/12,5 |
| 75 | 85 | 100 | 194 | 140 | 100 | 35 | 345 | 290 | 28 | 22 | M20 | 160 | 65 | 13 | 22315 | FRM160/5 |
| 75 | 85 | 80 | 156 | 115 | 80 | 30 | 280 | 230 | 24 | 18 | M16 | 130 | 56 | 13 | WS22215-E1-2RSR | FRM130/9 |
| 75 | 85 | 80 | 156 | 115 | 80 | 30 | 280 | 230 | 24 | 18 | M16 | 130 | 56 | 13 | WS22215-E1-2RSR | FRM130/9 |

① Locating bearing. ② Non-locating bearing.

The spacer sleeve is not included in the scope of delivery.

Plummer block housings

SES, split
For bearings with cylindrical bore
Metric shaft

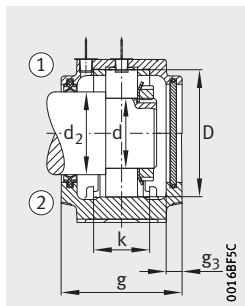


Dimension table (continued) - Dimensions in mm

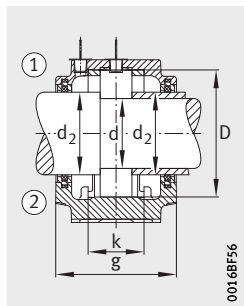
| Shaft | | Housing Dimensions | | | | | | | | | | | Bearing and accessories | | | |
|-------|----------------|--------------------|----------------|-----|-----|----|-----|-----|----|----|-----|-----|-------------------------|----------------|-----------------|---------------|
| d | d ₂ | h | h ₁ | g | b | c | a | m | v | u | s | D | k | g ₃ | Bearing | Locating ring |
| mm | mm | | | | | | | | | | | | | | | 2 pieces |
| 80 | 90 | 95 | 177 | 120 | 90 | 32 | 315 | 260 | 28 | 22 | M20 | 140 | 58 | 13 | 1216 | FRM140/16 |
| 80 | 90 | 112 | 212 | 145 | 100 | 35 | 345 | 290 | 28 | 22 | M20 | 170 | 68 | 14 | 1316 | FRM170/14,5 |
| 80 | 90 | 95 | 177 | 120 | 90 | 32 | 315 | 260 | 28 | 22 | M20 | 140 | 58 | 13 | 2216 | FRM140/12,5 |
| 80 | 90 | 112 | 212 | 145 | 100 | 35 | 345 | 290 | 28 | 22 | M20 | 170 | 68 | 14 | 2316 | FRM170/5 |
| 80 | 90 | 95 | 177 | 120 | 90 | 32 | 315 | 260 | 28 | 22 | M20 | 140 | 58 | 13 | 6216 | FRM140/16 |
| 80 | 90 | 112 | 212 | 145 | 100 | 35 | 345 | 290 | 28 | 22 | M20 | 170 | 68 | 14 | 6316 | FRM170/14,5 |
| 80 | 90 | 95 | 177 | 120 | 90 | 32 | 315 | 260 | 28 | 22 | M20 | 140 | 58 | 13 | 20216 | FRM140/16 |
| 80 | 90 | 112 | 212 | 145 | 100 | 35 | 345 | 290 | 28 | 22 | M20 | 170 | 68 | 14 | 20316 | FRM170/14,5 |
| 80 | 90 | 112 | 212 | 145 | 100 | 35 | 345 | 290 | 28 | 22 | M20 | 170 | 68 | 14 | 21316 | FRM170/14,5 |
| 80 | 90 | 95 | 177 | 120 | 90 | 32 | 315 | 260 | 28 | 22 | M20 | 140 | 58 | 13 | 22216 | FRM140/12,5 |
| 80 | 90 | 112 | 212 | 145 | 100 | 35 | 345 | 290 | 28 | 22 | M20 | 170 | 68 | 14 | 22316 | FRM170/5 |
| 80 | 90 | 95 | 177 | 120 | 90 | 32 | 315 | 260 | 28 | 22 | M20 | 140 | 58 | 13 | WS22216-E1-2RSR | FRM140/9 |
| 80 | 90 | 95 | 177 | 120 | 90 | 32 | 315 | 260 | 28 | 22 | M20 | 140 | 58 | 13 | WS22216-E1-2RSR | FRM140/9 |
| 85 | 95 | 95 | 183 | 125 | 90 | 32 | 320 | 260 | 28 | 22 | M20 | 150 | 61 | 13 | 1217 | FRM150/16,5 |
| 85 | 95 | 112 | 218 | 160 | 110 | 40 | 380 | 320 | 32 | 26 | M24 | 180 | 70 | 14 | 1317 | FRM180/14,5 |
| 85 | 95 | 95 | 183 | 125 | 90 | 32 | 320 | 260 | 28 | 22 | M20 | 150 | 61 | 13 | 2217 | FRM150/12,5 |
| 85 | 95 | 112 | 218 | 160 | 110 | 40 | 380 | 320 | 32 | 26 | M24 | 180 | 70 | 14 | 2317 | FRM180/5 |
| 85 | 95 | 95 | 183 | 125 | 90 | 32 | 320 | 260 | 28 | 22 | M20 | 150 | 61 | 13 | 6217 | FRM150/16,5 |
| 85 | 95 | 112 | 218 | 160 | 110 | 40 | 380 | 320 | 32 | 26 | M24 | 180 | 70 | 14 | 6317 | FRM180/14,5 |
| 85 | 95 | 95 | 183 | 125 | 90 | 32 | 320 | 260 | 28 | 22 | M20 | 150 | 61 | 13 | 20217 | FRM150/16,5 |
| 85 | 95 | 112 | 218 | 160 | 110 | 40 | 380 | 320 | 32 | 26 | M24 | 180 | 70 | 14 | 20317 | FRM180/14,5 |
| 85 | 95 | 112 | 218 | 160 | 110 | 40 | 380 | 320 | 32 | 26 | M24 | 180 | 70 | 14 | 21317 | FRM180/14,5 |
| 85 | 95 | 95 | 183 | 125 | 90 | 32 | 320 | 260 | 28 | 22 | M20 | 150 | 61 | 13 | 22217 | FRM150/12,5 |
| 85 | 95 | 112 | 218 | 160 | 110 | 40 | 380 | 320 | 32 | 26 | M24 | 180 | 70 | 14 | 22317 | FRM180/5 |
| 85 | 95 | 95 | 183 | 125 | 90 | 32 | 320 | 260 | 28 | 22 | M20 | 150 | 61 | 13 | WS22217-E1-2RSR | FRM150/8,5 |
| 85 | 95 | 95 | 183 | 125 | 90 | 32 | 320 | 260 | 28 | 22 | M20 | 150 | 61 | 13 | WS22217-E1-2RSR | FRM150/8,5 |

① Locating bearing. ② Non-locating bearing.

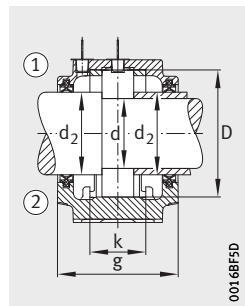
The spacer sleeve is not included in the scope of delivery.



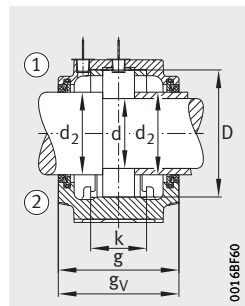
Double lip seal EDH
Cover EDKT



Felt seal EFS



Double lip seal EDH

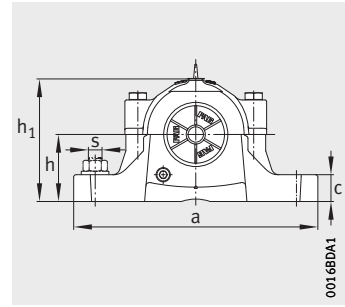
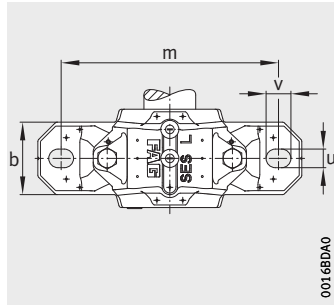


V ring seal EDH

| | | | | | | | | | Housing | |
|-----------------|-----------|----------------|----------|-------------|----------|---------------|----------|------------|-------------------|---------------------|
| Double lip seal | Felt seal | Labyrinth seal | | V ring seal | | Taconite seal | | Cover | Mass m ≈ kg | Designation |
| | | | gL mm | | gv mm | | gτ mm | | | |
| EDH216 | EFS216 | ETS216 | 134 | EDV216 | 120 | ETC216 | 200 | EDK216 | 8,8 | SES216-L |
| EDH316 | EFS316 | ETS316 | 161 | EDV316 | 145 | ETC316 | 218 | EDK519-616 | 13,8 | SES519-616-L |
| EDH216 | EFS216 | ETS216 | 134 | EDV216 | 120 | ETC216 | 200 | EDK216 | 8,8 | SES216-L |
| EDH316 | EFS316 | ETS316 | 161 | EDV316 | 145 | ETC316 | 218 | EDK519-616 | 13,8 | SES519-616-L |
| EDH216 | EFS216 | ETS216 | 134 | EDV216 | 120 | ETC216 | 200 | EDK216 | 8,8 | SES216-L |
| EDH316 | EFS316 | ETS316 | 161 | EDV316 | 145 | ETC316 | 218 | EDK519-616 | 13,8 | SES519-616-L |
| EDH216 | EFS216 | ETS216 | 134 | EDV216 | 120 | ETC216 | 200 | EDK216 | 8,8 | SES216-L |
| EDH316 | EFS316 | ETS316 | 161 | EDV316 | 145 | ETC316 | 218 | EDK519-616 | 13,8 | SES519-616-L |
| EDH316 | EFS316 | ETS316 | 161 | EDV316 | 145 | ETC316 | 218 | EDK519-616 | 13,8 | SES519-616-L |
| EDH216 | EFS216 | ETS216 | 134 | EDV216 | 120 | ETC216 | 200 | EDK216 | 8,8 | SES216-L |
| EDH316 | EFS316 | ETS316 | 161 | EDV316 | 145 | ETC316 | 218 | EDK519-616 | 13,8 | SES519-616-L |
| EDH216 | EFS216 | ETS216 | 134 | EDV216 | 120 | ETC216 | 200 | EDK216 | 8,8 | SES216-L |
| - | - | - | - | - | - | - | - | EDK516-613 | 9,3 | SES516-613-L |
| EDH217 | - | ETS217 | 139 | EDV217 | 123 | ETC217 | 205 | EDK217 | 9,4 | SES217-L |
| EDH317 | EFS317 | ETS317 | 176 | EDV317 | 160 | ETC317 | 238 | EDK520-617 | 17,1 | SES520-617-L |
| EDH217 | - | ETS217 | 139 | EDV217 | 123 | ETC217 | 205 | EDK217 | 9,4 | SES217-L |
| EDH317 | EFS317 | ETS317 | 176 | EDV317 | 160 | ETC317 | 238 | EDK520-617 | 17,1 | SES520-617-L |
| EDH217 | - | ETS217 | 139 | EDV217 | 123 | ETC217 | 205 | EDK217 | 9,4 | SES217-L |
| EDH317 | EFS317 | ETS317 | 176 | EDV317 | 160 | ETC317 | 238 | EDK520-617 | 17,1 | SES520-617-L |
| EDH217 | - | ETS217 | 139 | EDV217 | 123 | ETC217 | 205 | EDK217 | 9,4 | SES217-L |
| EDH317 | EFS317 | ETS317 | 176 | EDV317 | 160 | ETC317 | 238 | EDK520-617 | 17,1 | SES520-617-L |
| EDH317 | EFS317 | ETS317 | 176 | EDV317 | 160 | ETC317 | 238 | EDK520-617 | 17,1 | SES520-617-L |
| EDH217 | - | ETS217 | 139 | EDV217 | 123 | ETC217 | 205 | EDK217 | 9,4 | SES217-L |
| EDH317 | EFS317 | ETS317 | 176 | EDV317 | 160 | ETC317 | 238 | EDK520-617 | 17,1 | SES520-617-L |
| EDH217 | - | ETS217 | 139 | EDV217 | 123 | ETC217 | 205 | EDK217 | 9,4 | SES217-L |
| - | - | - | - | - | - | - | - | EDK517 | 9,8 | SES517-L |

Plummer block housings

SES, split
For bearings with cylindrical bore
Metric shaft

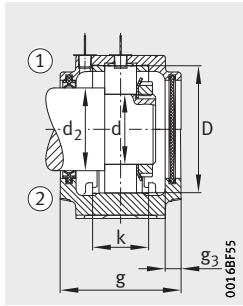


Dimension table (continued) - Dimensions in mm

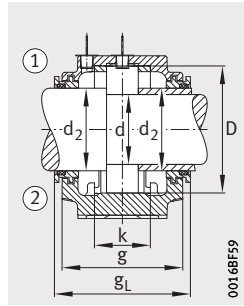
| Shaft | | Housing Dimensions | | | | | | | | | | | Bearing and accessories | | | |
|-------|----------------|--------------------|----------------|-----|-----|----|-----|-----|----|----|-----|-----|-------------------------|----------------|-----------------|---------------|
| d | d ₂ | h | h ₁ | g | b | c | a | m | v | u | s | D | k | g ₃ | Bearing | Locating ring |
| mm | mm | | | | | | | | | | | | | | | 2 pieces |
| 90 | 100 | 100 | 194 | 140 | 100 | 35 | 345 | 290 | 28 | 22 | M20 | 160 | 65 | 13 | 1218 | FRM160/17,5 |
| 90 | 105 | 112 | 229 | 155 | 110 | 40 | 380 | 320 | 32 | 26 | M24 | 190 | 74 | 15 | 1318 | FRM190/15,5 |
| 90 | 100 | 100 | 194 | 140 | 100 | 35 | 345 | 290 | 28 | 22 | M20 | 160 | 65 | 13 | 2218 | FRM160/12,5 |
| 90 | 105 | 112 | 229 | 155 | 110 | 40 | 380 | 320 | 32 | 26 | M24 | 190 | 74 | 15 | 2318 | FRM190/5 |
| 90 | 100 | 100 | 194 | 140 | 100 | 35 | 345 | 290 | 28 | 22 | M20 | 160 | 65 | 13 | 6218 | FRM160/17,5 |
| 90 | 105 | 112 | 229 | 155 | 110 | 40 | 380 | 320 | 32 | 26 | M24 | 190 | 74 | 15 | 6318 | FRM190/15,5 |
| 90 | 100 | 100 | 194 | 140 | 100 | 35 | 345 | 290 | 28 | 22 | M20 | 160 | 65 | 13 | 20218 | FRM160/17,5 |
| 90 | 105 | 112 | 229 | 155 | 110 | 40 | 380 | 320 | 32 | 26 | M24 | 190 | 74 | 15 | 20318 | FRM190/15,5 |
| 90 | 105 | 112 | 229 | 155 | 110 | 40 | 380 | 320 | 32 | 26 | M24 | 190 | 74 | 15 | 21318 | FRM190/15,5 |
| 90 | 100 | 100 | 194 | 140 | 100 | 35 | 345 | 290 | 28 | 22 | M20 | 160 | 65 | 13 | 22218 | FRM160/12,5 |
| 90 | 105 | 112 | 229 | 155 | 110 | 40 | 380 | 320 | 32 | 26 | M24 | 190 | 74 | 15 | 22318 | FRM190/5 |
| 90 | 100 | 100 | 194 | 140 | 100 | 35 | 345 | 290 | 28 | 22 | M20 | 160 | 65 | 13 | 23218 | FRM160/6,25 |
| 90 | 100 | 100 | 194 | 140 | 100 | 35 | 345 | 290 | 28 | 22 | M20 | 160 | 65 | 13 | WS22218-E1-2RSR | FRM160/8,5 |
| 95 | 110 | 112 | 212 | 145 | 100 | 35 | 345 | 290 | 28 | 22 | M20 | 170 | 68 | 14 | 1219 | FRM170/18 |
| 95 | 110 | 125 | 242 | 175 | 120 | 45 | 410 | 350 | 32 | 26 | M24 | 200 | 80 | 14 | 1319 | FRM200/17,5 |
| 95 | 110 | 112 | 212 | 145 | 100 | 35 | 345 | 290 | 28 | 22 | M20 | 170 | 68 | 14 | 2219 | FRM170/12,5 |
| 95 | 110 | 125 | 242 | 175 | 120 | 45 | 410 | 350 | 32 | 26 | M24 | 200 | 80 | 14 | 2319 | FRM200/6,5 |
| 95 | 110 | 112 | 212 | 145 | 100 | 35 | 345 | 290 | 28 | 22 | M20 | 170 | 68 | 14 | 6219 | FRM170/18 |
| 95 | 110 | 125 | 242 | 175 | 120 | 45 | 410 | 350 | 32 | 26 | M24 | 200 | 80 | 14 | 6319 | FRM200/17,5 |
| 95 | 110 | 112 | 212 | 145 | 100 | 35 | 345 | 290 | 28 | 22 | M20 | 170 | 68 | 14 | 20219 | FRM170/18 |
| 95 | 110 | 125 | 242 | 175 | 120 | 45 | 410 | 350 | 32 | 26 | M24 | 200 | 80 | 14 | 20319 | FRM200/17,5 |
| 95 | 110 | 125 | 242 | 175 | 120 | 45 | 410 | 350 | 32 | 26 | M24 | 200 | 80 | 14 | 21319 | FRM200/17,5 |
| 95 | 110 | 112 | 212 | 145 | 100 | 35 | 345 | 290 | 28 | 22 | M20 | 170 | 68 | 14 | 22219 | FRM170/12,5 |
| 95 | 110 | 125 | 242 | 175 | 120 | 45 | 410 | 350 | 32 | 26 | M24 | 200 | 80 | 14 | 22319 | FRM200/6,5 |

① Locating bearing, ② Non-locating bearing.

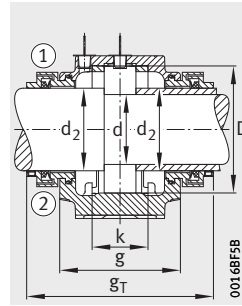
The spacer sleeve is not included in the scope of delivery.



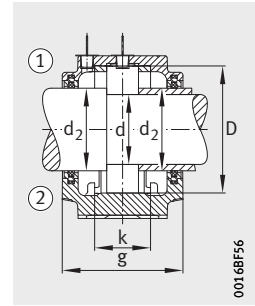
Double lip seal EDH
Cover EDK



Labyrinth seal ETS



Taconite seal ETC

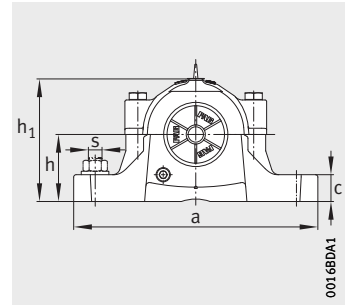
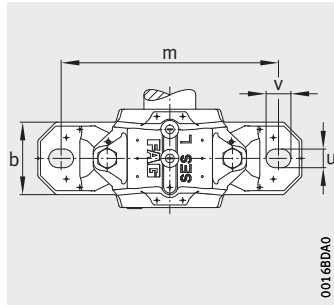


Felt seal EFS

| | | | | | | | | | Housing | |
|-----------------|-----------|----------------|----------------------|-------------|----------------------|---------------|----------------------|------------|-------------------|---------------------|
| Double lip seal | Felt seal | Labyrinth seal | | V ring seal | | Taconite seal | | Cover | Mass m ≈ kg | Designation |
| | | | g _L mm | | g _V mm | | g _T mm | | | |
| EDH218 | EFS218 | ETS218 | 154 | EDV218 | 140 | ETC218 | 220 | EDK218 | 11,8 | SES218-L |
| EDH318 | EFS318 | ETS318 | 170,3 | EDV318 | 162,5 | - | - | EDK218 | 19,1 | SES618-318-L |
| EDH218 | EFS218 | ETS218 | 154 | EDV218 | 140 | ETC218 | 220 | EDK218 | 11,8 | SES218-L |
| EDH318 | EFS318 | ETS318 | 170,3 | EDV318 | 162,5 | - | - | EDK218 | 19,1 | SES618-318-L |
| EDH218 | EFS218 | ETS218 | 154 | EDV218 | 140 | ETC218 | 220 | EDK218 | 11,8 | SES218-L |
| EDH318 | EFS318 | ETS318 | 170,3 | EDV318 | 162,5 | - | - | EDK218 | 19,1 | SES618-318-L |
| EDH218 | EFS218 | ETS218 | 154 | EDV218 | 140 | ETC218 | 220 | EDK218 | 11,8 | SES218-L |
| EDH318 | EFS318 | ETS318 | 170,3 | EDV318 | 162,5 | - | - | EDK218 | 19,1 | SES618-318-L |
| EDH318 | EFS318 | ETS318 | 170,3 | EDV318 | 162,5 | - | - | EDK218 | 19,1 | SES618-318-L |
| EDH218 | EFS218 | ETS218 | 154 | EDV218 | 140 | ETC218 | 220 | EDK218 | 11,8 | SES218-L |
| EDH318 | EFS318 | ETS318 | 170,3 | EDV318 | 162,5 | - | - | EDK218 | 19,1 | SES618-318-L |
| EDH218 | EFS218 | ETS218 | 154 | EDV218 | 140 | ETC218 | 220 | EDK218 | 11,8 | SES218-L |
| EDH218 | EFS218 | ETS218 | 154 | EDV218 | 140 | ETC218 | 220 | EDK218 | 11,8 | SES218-L |
| EDH219 | EFS219 | ETS219 | 161 | EDV219 | 158 | - | - | EDK519-616 | 13,8 | SES519-616-L |
| EDH319 | EFS319 | ETS319 | 191 | EDV319 | 175 | ETC319 | 253 | EDK522-619 | 22,8 | SES522-619-L |
| EDH219 | EFS219 | ETS219 | 161 | EDV219 | 158 | - | - | EDK519-616 | 13,8 | SES519-616-L |
| EDH319 | EFS319 | ETS319 | 191 | EDV319 | 175 | ETC319 | 253 | EDK522-619 | 22,8 | SES522-619-L |
| EDH219 | EFS219 | ETS219 | 161 | EDV219 | 158 | - | - | EDK519-616 | 13,8 | SES519-616-L |
| EDH319 | EFS319 | ETS319 | 191 | EDV319 | 175 | ETC319 | 253 | EDK522-619 | 22,8 | SES522-619-L |
| EDH219 | EFS219 | ETS219 | 161 | EDV219 | 158 | - | - | EDK519-616 | 13,8 | SES519-616-L |
| EDH319 | EFS319 | ETS319 | 191 | EDV319 | 175 | ETC319 | 253 | EDK522-619 | 22,8 | SES522-619-L |
| EDH319 | EFS319 | ETS319 | 191 | EDV319 | 175 | ETC319 | 253 | EDK522-619 | 22,8 | SES522-619-L |
| EDH219 | EFS219 | ETS219 | 161 | EDV219 | 158 | - | - | EDK519-616 | 13,8 | SES519-616-L |
| EDH319 | EFS319 | ETS319 | 191 | EDV319 | 175 | ETC319 | 253 | EDK522-619 | 22,8 | SES522-619-L |

Plummer block housings

SES, split
For bearings with cylindrical bore
Metric shaft



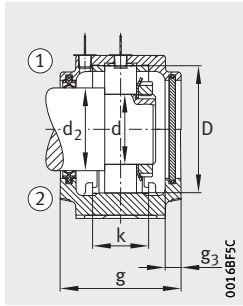
Dimension table (continued) - Dimensions in mm

| Shaft | | Housing Dimensions | | | | | | | | | | | | | Bearing and accessories | |
|-------|----------------|--------------------|----------------|-----|-----|----|-----|-----|----|----|-----|-----|----|----------------|-------------------------|---------------|
| d | d ₂ | h | h ₁ | g | b | c | a | m | v | u | s | D | k | g ₃ | Bearing | Locating ring |
| mm | mm | | | | | | | | | | | | | | | 2 pieces |
| 100 | 115 | 112 | 218 | 160 | 110 | 40 | 380 | 320 | 32 | 26 | M24 | 180 | 70 | 14 | 1220 | FRM180/18 |
| 100 | 115 | 140 | 271 | 185 | 120 | 45 | 410 | 350 | 32 | 26 | M24 | 215 | 86 | 15 | 1320 | FRM215/19,5 |
| 100 | 115 | 112 | 218 | 160 | 110 | 40 | 380 | 320 | 32 | 26 | M24 | 180 | 70 | 14 | 2220 | FRM180/12 |
| 100 | 115 | 140 | 271 | 185 | 120 | 45 | 410 | 350 | 32 | 26 | M24 | 215 | 86 | 15 | 2320 | FRM215/6,5 |
| 100 | 115 | 112 | 218 | 160 | 110 | 40 | 380 | 320 | 32 | 26 | M24 | 180 | 70 | 14 | 6220 | FRM180/18 |
| 100 | 115 | 140 | 271 | 185 | 120 | 45 | 410 | 350 | 32 | 26 | M24 | 215 | 86 | 15 | 6320 | FRM215/19,5 |
| 100 | 115 | 112 | 218 | 160 | 110 | 40 | 380 | 320 | 32 | 26 | M24 | 180 | 70 | 14 | 20220 | FRM180/18 |
| 100 | 115 | 140 | 271 | 185 | 120 | 45 | 410 | 350 | 32 | 26 | M24 | 215 | 86 | 15 | 20320 | FRM215/19,5 |
| 100 | 115 | 140 | 271 | 185 | 120 | 45 | 410 | 350 | 32 | 26 | M24 | 215 | 86 | 15 | 21320 | FRM215/19,5 |
| 100 | 115 | 112 | 218 | 160 | 110 | 40 | 380 | 320 | 32 | 26 | M24 | 180 | 70 | 14 | 22220 | FRM180/12 |
| 100 | 115 | 140 | 271 | 185 | 120 | 45 | 410 | 350 | 32 | 26 | M24 | 215 | 86 | 15 | 22320 | FRM215/6,5 |
| 100 | 115 | 112 | 218 | 160 | 110 | 40 | 380 | 320 | 32 | 26 | M24 | 180 | 70 | 14 | 23220 | FRM180/4,85 |
| 100 | 115 | 112 | 218 | 160 | 110 | 40 | 380 | 320 | 32 | 26 | M24 | 180 | 70 | 14 | WS22220-E1-2VSR | FRM180/7,5 |
| 110 | 125 | 125 | 242 | 175 | 120 | 45 | 410 | 350 | 32 | 26 | M24 | 200 | 80 | 14 | 1222 | FRM200/21 |
| 110 | 125 | 150 | 298 | 185 | 130 | 50 | 450 | 390 | 35 | 28 | M24 | 240 | 90 | 18 | 1322 | FRM240/20 |
| 110 | 125 | 125 | 242 | 175 | 120 | 45 | 410 | 350 | 32 | 26 | M24 | 200 | 80 | 14 | 2222 | FRM200/13,5 |
| 110 | 125 | 150 | 298 | 185 | 130 | 50 | 450 | 390 | 35 | 28 | M24 | 240 | 90 | 18 | 2322 | FRM240/5 |
| 110 | 125 | 125 | 242 | 175 | 120 | 45 | 410 | 350 | 32 | 26 | M24 | 200 | 80 | 14 | 6222 | FRM200/21 |
| 110 | 125 | 150 | 298 | 185 | 130 | 50 | 450 | 390 | 35 | 28 | M24 | 240 | 90 | 18 | 6322 | FRM240/20 |
| 110 | 125 | 125 | 242 | 175 | 120 | 45 | 410 | 350 | 32 | 26 | M24 | 200 | 80 | 14 | 20222 | FRM200/21 |
| 110 | 125 | 150 | 298 | 185 | 130 | 50 | 450 | 390 | 35 | 28 | M24 | 240 | 90 | 18 | 20322 | FRM240/20 |
| 110 | 125 | 150 | 298 | 185 | 130 | 50 | 450 | 390 | 35 | 28 | M24 | 240 | 90 | 18 | 21322 | FRM240/20 |
| 110 | 125 | 125 | 242 | 175 | 120 | 45 | 410 | 350 | 32 | 26 | M24 | 200 | 80 | 14 | 22222 | FRM200/13,5 |
| 110 | 125 | 150 | 298 | 185 | 130 | 50 | 450 | 390 | 35 | 28 | M24 | 240 | 90 | 18 | 22322 | FRM240/5 |
| 110 | 125 | 125 | 242 | 175 | 120 | 45 | 410 | 350 | 32 | 26 | M24 | 200 | 80 | 14 | 23222 | FRM200/5,1 |
| 110 | 125 | 125 | 242 | 175 | 120 | 45 | 410 | 350 | 32 | 26 | M24 | 200 | 80 | 14 | WS22222-E1-2VSR | FRM200/8,5 |

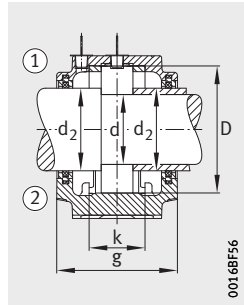
① Locating bearing. ② Non-locating bearing.

The spacer sleeve is not included in the scope of delivery.

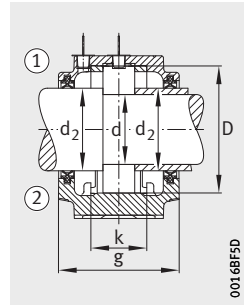
¹⁾ Housing with eye bolt.



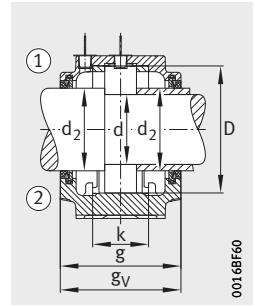
Double lip seal EDH
Cover EDKT



Felt seal EFS



Double lip seal EDH

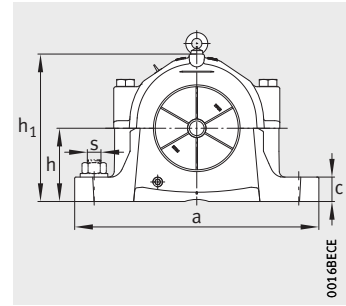
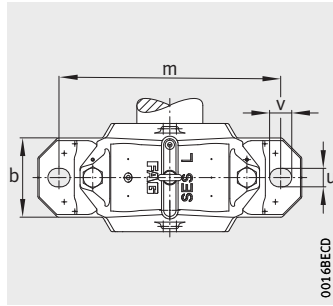


V ring seal EDH

| | | | | | | | | Housing | | |
|-----------------|------------|----------------|-------------|------------|---------------|------------|-------|-------------------|-------------|----------------------------------|
| Double lip seal | Felt seal | Labyrinth seal | V ring seal | | Taconite seal | | Cover | Mass m ≈ kg | Designation | |
| | | | gL mm | gv mm | gr mm | | | | | |
| EDH220 | EFS220 | ETS220 | 176 | EDV220 | 160 | ETC220 | 245 | EDK520-617 | 17,1 | SES520-617-L |
| EDH320 | EFS320 | ETS320 | 199 | EDV320 | 185 | ETC320 | 260 | EDK524-620 | 26,2 | SES524-620-L¹⁾ |
| EDH220 | EFS220 | ETS220 | 176 | EDV220 | 160 | ETC220 | 245 | EDK520-617 | 17,1 | SES520-617-L |
| EDH320 | EFS320 | ETS320 | 199 | EDV320 | 185 | ETC320 | 260 | EDK524-620 | 26,2 | SES524-620-L¹⁾ |
| EDH220 | EFS220 | ETS220 | 176 | EDV220 | 160 | ETC220 | 245 | EDK520-617 | 17,1 | SES520-617-L |
| EDH320 | EFS320 | ETS320 | 199 | EDV320 | 185 | ETC320 | 260 | EDK524-620 | 26,2 | SES524-620-L¹⁾ |
| EDH220 | EFS220 | ETS220 | 176 | EDV220 | 160 | ETC220 | 245 | EDK520-617 | 17,1 | SES520-617-L |
| EDH320 | EFS320 | ETS320 | 199 | EDV320 | 185 | ETC320 | 260 | EDK524-620 | 26,2 | SES524-620-L¹⁾ |
| EDH320 | EFS320 | ETS320 | 199 | EDV320 | 185 | ETC320 | 260 | EDK524-620 | 26,2 | SES524-620-L¹⁾ |
| EDH220 | EFS220 | ETS220 | 176 | EDV220 | 160 | ETC220 | 245 | EDK520-617 | 17,1 | SES520-617-L |
| EDH320 | EFS320 | ETS320 | 199 | EDV320 | 185 | ETC320 | 260 | EDK524-620 | 26,2 | SES524-620-L¹⁾ |
| EDH220 | EFS220 | ETS220 | 176 | EDV220 | 160 | ETC220 | 245 | EDK520-617 | 17,1 | SES520-617-L |
| EDH222-322 | EFS222-322 | ETS222-322 | 191 | EDV222-322 | 175 | ETC222-322 | 255 | EDK522-619 | 22,8 | SES522-619-L |
| EDH222-322 | EFS222-322 | ETS222-322 | 196,5 | EDV222-322 | 180,5 | ETC222-322 | 260,5 | EDK522-619 | 36,1 | SES622-322-L¹⁾ |
| EDH222-322 | EFS222-322 | ETS222-322 | 191 | EDV222-322 | 175 | ETC222-322 | 255 | EDK522-619 | 22,8 | SES522-619-L |
| EDH222-322 | EFS222-322 | ETS222-322 | 196,5 | EDV222-322 | 180,5 | ETC222-322 | 260,5 | EDK522-619 | 36,1 | SES622-322-L¹⁾ |
| EDH222-322 | EFS222-322 | ETS222-322 | 191 | EDV222-322 | 175 | ETC222-322 | 255 | EDK522-619 | 22,8 | SES522-619-L |
| EDH222-322 | EFS222-322 | ETS222-322 | 196,5 | EDV222-322 | 180,5 | ETC222-322 | 260,5 | EDK522-619 | 36,1 | SES622-322-L¹⁾ |
| EDH222-322 | EFS222-322 | ETS222-322 | 191 | EDV222-322 | 175 | ETC222-322 | 255 | EDK522-619 | 22,8 | SES522-619-L |
| EDH222-322 | EFS222-322 | ETS222-322 | 196,5 | EDV222-322 | 180,5 | ETC222-322 | 260,5 | EDK522-619 | 36,1 | SES622-322-L¹⁾ |
| EDH222-322 | EFS222-322 | ETS222-322 | 191 | EDV222-322 | 175 | ETC222-322 | 255 | EDK522-619 | 22,8 | SES522-619-L |
| EDH222-322 | EFS222-322 | ETS222-322 | 196,5 | EDV222-322 | 180,5 | ETC222-322 | 260,5 | EDK522-619 | 36,1 | SES622-322-L¹⁾ |
| EDH222-322 | EFS222-322 | ETS222-322 | 191 | EDV222-322 | 175 | ETC222-322 | 255 | EDK522-619 | 22,8 | SES522-619-L |
| EDH222-322 | EFS222-322 | ETS222-322 | 191 | EDV222-322 | 175 | ETC222-322 | 255 | EDK522-619 | 22,8 | SES522-619-L |

Plummer block housings

SES, split
For bearings with cylindrical bore
Metric shaft

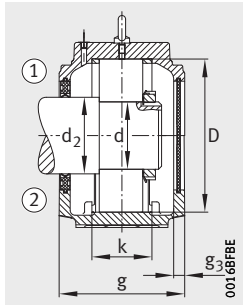


Dimension table (continued) · Dimensions in mm

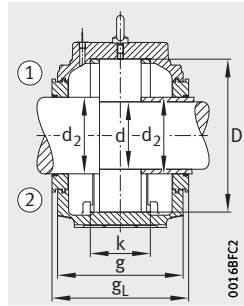
| Shaft | | Housing Dimensions | | | | | | | | | | | | | Bearing and accessories | |
|-------|----------------|--------------------|----------------|-----|-----|----|-----|-----|----|----|-----|-----|-----|----------------|-------------------------|---------------|
| d | d ₂ | h | h ₁ | g | b | c | a | m | v | u | s | D | k | g ₃ | Bearing | Locating ring |
| mm | mm | | | | | | | | | | | | | | | 2 pieces |
| 120 | 135 | 140 | 271 | 185 | 120 | 45 | 410 | 350 | 32 | 26 | M24 | 215 | 86 | 15 | 1224 | FRM215/22 |
| 120 | 135 | 140 | 271 | 185 | 120 | 45 | 410 | 350 | 32 | 26 | M24 | 215 | 86 | 15 | 6224 | FRM215/23 |
| 120 | 135 | 160 | 321 | 190 | 160 | 60 | 530 | 450 | 42 | 35 | M30 | 260 | 96 | 18 | 6324 | FRM260/20,5 |
| 120 | 135 | 140 | 271 | 185 | 120 | 45 | 410 | 350 | 32 | 26 | M24 | 215 | 86 | 15 | 20224 | FRM215/23 |
| 120 | 135 | 160 | 321 | 190 | 160 | 60 | 530 | 450 | 42 | 35 | M30 | 260 | 96 | 18 | 20324 | FRM260/20,5 |
| 120 | 135 | 140 | 271 | 185 | 120 | 45 | 410 | 350 | 32 | 26 | M24 | 215 | 86 | 15 | 22224 | FRM215/14 |
| 120 | 135 | 160 | 321 | 190 | 160 | 60 | 530 | 450 | 42 | 35 | M30 | 260 | 96 | 18 | 22324 | FRM260/5 |
| 120 | 135 | 140 | 271 | 185 | 120 | 45 | 410 | 350 | 32 | 26 | M24 | 215 | 86 | 15 | 23224 | FRM215/5 |
| 120 | 135 | 140 | 271 | 185 | 120 | 45 | 410 | 350 | 32 | 26 | M24 | 215 | 86 | 15 | WS22224-E1-2VSR | FRM215/8,5 |
| 130 | 145 | 150 | 290 | 190 | 130 | 50 | 445 | 380 | 35 | 28 | M24 | 230 | 90 | 15 | 1226 | FRM230/22 |
| 130 | 145 | 150 | 290 | 190 | 130 | 50 | 445 | 380 | 35 | 28 | M24 | 230 | 90 | 15 | 6226 | FRM230/25 |
| 130 | 145 | 150 | 290 | 190 | 130 | 50 | 445 | 380 | 35 | 28 | M24 | 230 | 90 | 15 | 20226 | FRM230/25 |
| 130 | 145 | 150 | 290 | 190 | 130 | 50 | 445 | 380 | 35 | 28 | M24 | 230 | 90 | 15 | 22226 | FRM230/13 |
| 130 | 145 | 150 | 290 | 190 | 130 | 50 | 445 | 380 | 35 | 28 | M24 | 230 | 90 | 15 | 23226 | FRM230/5 |
| 130 | 145 | 150 | 290 | 190 | 130 | 50 | 445 | 380 | 35 | 28 | M24 | 230 | 90 | 15 | WS22226-E1-2VSR | FRM230/7,5 |
| 140 | 155 | 150 | 302 | 205 | 150 | 50 | 500 | 420 | 42 | 35 | M30 | 250 | 98 | 15 | 6228 | FRM250/28 |
| 140 | 155 | 150 | 302 | 205 | 150 | 50 | 500 | 420 | 42 | 35 | M30 | 250 | 98 | 15 | 20228 | FRM250/28 |
| 140 | 155 | 150 | 302 | 205 | 150 | 50 | 500 | 420 | 42 | 35 | M30 | 250 | 98 | 15 | 22228 | FRM250/15 |
| 140 | 155 | 150 | 302 | 205 | 150 | 50 | 500 | 420 | 42 | 35 | M30 | 250 | 98 | 15 | 23228 | FRM250/5 |
| 150 | 165 | 160 | 323 | 220 | 160 | 60 | 530 | 450 | 42 | 35 | M30 | 270 | 106 | 15 | 6230 | FRM270/30,5 |
| 150 | 165 | 160 | 323 | 220 | 160 | 60 | 530 | 450 | 42 | 35 | M30 | 270 | 106 | 15 | 20230 | FRM270/30,5 |
| 150 | 165 | 160 | 323 | 220 | 160 | 60 | 530 | 450 | 42 | 35 | M30 | 270 | 106 | 15 | 22230 | FRM270/16,5 |
| 150 | 165 | 160 | 323 | 220 | 160 | 60 | 530 | 450 | 42 | 35 | M30 | 270 | 106 | 15 | 23230 | FRM270/5 |
| 160 | 175 | 170 | 344 | 235 | 160 | 60 | 550 | 470 | 42 | 35 | M30 | 290 | 114 | 15 | 6232 | FRM290/33 |
| 160 | 175 | 170 | 344 | 235 | 160 | 60 | 550 | 470 | 42 | 35 | M30 | 290 | 114 | 15 | 20232 | FRM290/33 |
| 160 | 175 | 170 | 344 | 235 | 160 | 60 | 550 | 470 | 42 | 35 | M30 | 290 | 114 | 15 | 22232 | FRM290/17 |
| 160 | 175 | 170 | 344 | 235 | 160 | 60 | 550 | 470 | 42 | 35 | M30 | 290 | 114 | 15 | 23232 | FRM290/5 |

① Locating bearing. ② Non-locating bearing.

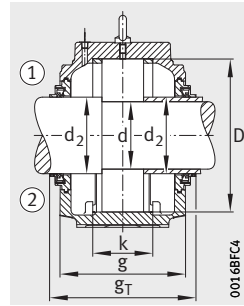
The spacer sleeve is not included in the scope of delivery.



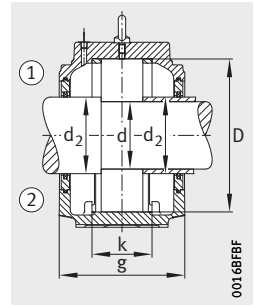
Double lip seal EDH
Cover EDK



Labyrinth seal ETS



Taconite seal ETC

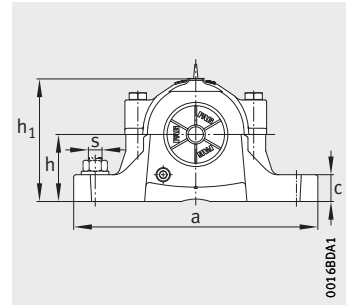
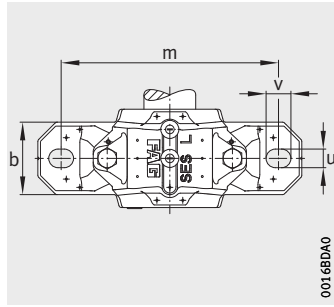


Felt seal EFS

| | | | | | | | | Housing | | |
|-----------------|------------|----------------|----------|-------------|----------|---------------|----------|------------|-------------------|---------------------|
| Double lip seal | Felt seal | Labyrinth seal | | V ring seal | | Taconite seal | | Cover | Mass m ≈ kg | Designation |
| | | | gL mm | | gV mm | | gT mm | | | |
| EDH224-324 | EFS224-324 | ETS224-324 | 199 | EDV224-324 | 185 | ETC224-324 | 270 | EDK524-620 | 26,2 | SES524-620-L |
| EDH224-324 | EFS224-324 | ETS224-324 | 199 | EDV224-324 | 185 | ETC224-324 | 270 | EDK524-620 | 26,2 | SES524-620-L |
| EDH224-324 | EFS224-324 | ETS224-324 | 201,5 | EDV224-324 | 187,5 | ETC224-324 | 272,5 | EDK524-620 | 47,5 | SES624-324-L |
| EDH224-324 | EFS224-324 | ETS224-324 | 199 | EDV224-324 | 185 | ETC224-324 | 270 | EDK524-620 | 26,2 | SES524-620-L |
| EDH224-324 | EFS224-324 | ETS224-324 | 201,5 | EDV224-324 | 187,5 | ETC224-324 | 272,5 | EDK524-620 | 47,5 | SES624-324-L |
| EDH224-324 | EFS224-324 | ETS224-324 | 199 | EDV224-324 | 185 | ETC224-324 | 270 | EDK524-620 | 26,2 | SES524-620-L |
| EDH224-324 | EFS224-324 | ETS224-324 | 201,5 | EDV224-324 | 187,5 | ETC224-324 | 272,5 | EDK524-620 | 47,5 | SES624-324-L |
| EDH224-324 | EFS224-324 | ETS224-324 | 199 | EDV224-324 | 185 | ETC224-324 | 270 | EDK524-620 | 26,2 | SES524-620-L |
| EDH224-324 | EFS224-324 | ETS224-324 | 199 | EDV224-324 | 185 | ETC224-324 | 270 | EDK524-620 | 26,2 | SES524-620-L |
| EDH226 | EFS226 | ETS226 | 207 | EDV226 | 190 | ETC226 | 275 | EDK526 | 33,1 | SES526-L |
| EDH226 | EFS226 | ETS226 | 207 | EDV226 | 190 | ETC226 | 275 | EDK526 | 33,1 | SES526-L |
| EDH226 | EFS226 | ETS226 | 207 | EDV226 | 190 | ETC226 | 275 | EDK526 | 33,1 | SES526-L |
| EDH226 | EFS226 | ETS226 | 207 | EDV226 | 190 | ETC226 | 275 | EDK526 | 33,1 | SES526-L |
| EDH226 | EFS226 | ETS226 | 207 | EDV226 | 190 | ETC226 | 275 | EDK526 | 33,1 | SES526-L |
| EDH226 | – | ETS226 | 207 | EDV226 | 190 | ETC226 | 275 | EDK526 | 33,1 | SES526-L |
| EDH228 | EFS228 | ETS228 | 222 | EDV228 | 205 | ETC228 | 290 | EDK528 | 40,3 | SES528-L |
| EDH228 | EFS228 | ETS228 | 222 | EDV228 | 205 | ETC228 | 290 | EDK528 | 40,3 | SES528-L |
| EDH228 | EFS228 | ETS228 | 222 | EDV228 | 205 | ETC228 | 290 | EDK528 | 40,3 | SES528-L |
| EDH228 | EFS228 | ETS228 | 222 | EDV228 | 205 | ETC228 | 290 | EDK528 | 40,3 | SES528-L |
| EDH230 | – | ETS230 | 237 | EDV230 | 220 | ETC230 | 310 | EDK530 | 48,5 | SES530-L |
| EDH230 | – | ETS230 | 237 | EDV230 | 220 | ETC230 | 310 | EDK530 | 48,5 | SES530-L |
| EDH230 | – | ETS230 | 237 | EDV230 | 220 | ETC230 | 310 | EDK530 | 48,5 | SES530-L |
| EDH230 | – | ETS230 | 237 | EDV230 | 220 | ETC230 | 310 | EDK530 | 48,5 | SES530-L |
| EDH232 | – | ETS232 | 252 | EDV232 | 235 | ETC232 | 325 | EDK532 | 56,7 | SES532-L |
| EDH232 | – | ETS232 | 252 | EDV232 | 235 | ETC232 | 325 | EDK532 | 56,7 | SES532-L |
| EDH232 | – | ETS232 | 252 | EDV232 | 235 | ETC232 | 325 | EDK532 | 56,7 | SES532-L |
| EDH232 | – | ETS232 | 252 | EDV232 | 235 | ETC232 | 325 | EDK532 | 56,7 | SES532-L |

Plummer block housings

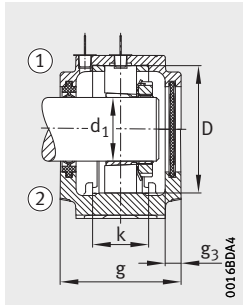
SES, split
For bearings with tapered bore and adapter sleeve
Inch size shaft



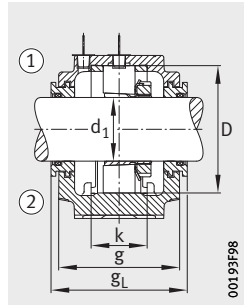
Dimension table · Dimensions in mm

| Shaft | | Housing Dimensions | | | | | | | | | | | | Bearing and accessories | | | |
|-------|--------|--------------------|----------------|----|----|----|-----|-----|----|----|-----|----|----|-------------------------|------------|----------------|---------------------------|
| | | h | h ₁ | g | b | c | a | m | v | u | s | D | k | g ₃ | Bearing | Adapter sleeve | Locating ring 2 pieces |
| inch | mm | | | | | | | | | | | | | | | | |
| 3/4 | 19,05 | 40 | 74 | 67 | 46 | 19 | 165 | 130 | 20 | 15 | M12 | 52 | 25 | 10 | 1205-K | H205X012 | FRM52/5 |
| 3/4 | 19,05 | 50 | 89 | 77 | 52 | 22 | 185 | 150 | 20 | 15 | M12 | 62 | 32 | 10 | 1305-K | H305X012 | FRM62/7,5 |
| 3/4 | 19,05 | 40 | 74 | 67 | 46 | 19 | 165 | 130 | 20 | 15 | M12 | 52 | 25 | 10 | 20205-K | H205X012 | FRM52/5 |
| 3/4 | 19,05 | 50 | 89 | 77 | 52 | 22 | 185 | 150 | 20 | 15 | M12 | 62 | 32 | 10 | 20305..-K | H305X012 | FRM62/7,5 |
| 3/4 | 19,05 | 40 | 74 | 67 | 46 | 19 | 165 | 130 | 20 | 15 | M12 | 52 | 25 | 10 | 2205-K | H305X012 | FRM52/3,5 |
| 3/4 | 19,05 | 40 | 74 | 67 | 46 | 19 | 165 | 130 | 20 | 15 | M12 | 52 | 25 | 10 | 22205..-K | H305X012 | FRM52/3,5 |
| 3/4 | 19,05 | 50 | 89 | 77 | 52 | 22 | 185 | 150 | 20 | 15 | M12 | 62 | 32 | 10 | 2305-K | H2305X012 | FRM62/4 |
| 7/8 | 22,225 | 50 | 89 | 77 | 52 | 22 | 185 | 150 | 20 | 15 | M12 | 62 | 32 | 10 | 1206-K | H206X014 | FRM62/8 |
| 7/8 | 22,225 | 50 | 89 | 77 | 52 | 22 | 185 | 150 | 20 | 15 | M12 | 62 | 32 | 10 | 20206..K | H206X014 | FRM62/8 |
| 7/8 | 22,225 | 50 | 89 | 77 | 52 | 22 | 185 | 150 | 20 | 15 | M12 | 62 | 32 | 10 | 2206-K | H306X014 | FRM62/6 |
| 7/8 | 22,225 | 50 | 89 | 77 | 52 | 22 | 185 | 150 | 20 | 15 | M12 | 62 | 32 | 10 | 22206..-K | H306X014 | FRM62/6 |
| 15/16 | 23,813 | 50 | 89 | 77 | 52 | 22 | 185 | 150 | 20 | 15 | M12 | 62 | 32 | 10 | 1206-K | H206X015 | FRM62/8 |
| 15/16 | 23,813 | 50 | 93 | 82 | 52 | 22 | 185 | 150 | 20 | 15 | M12 | 72 | 34 | 11 | 1306-K | H306X015 | FRM72/7,5 |
| 15/16 | 23,813 | 50 | 89 | 77 | 52 | 22 | 185 | 150 | 20 | 15 | M12 | 62 | 32 | 10 | 20206-K | H206X015 | FRM62/8 |
| 15/16 | 23,813 | 50 | 93 | 82 | 52 | 22 | 185 | 150 | 20 | 15 | M12 | 72 | 34 | 11 | 20306...-K | H306X015 | FRM72/7,5 |
| 15/16 | 23,813 | 50 | 93 | 82 | 52 | 22 | 185 | 150 | 20 | 15 | M12 | 72 | 34 | 11 | 21306...-K | H306X015 | FRM72/7,5 |
| 15/16 | 23,813 | 50 | 89 | 77 | 52 | 22 | 185 | 150 | 20 | 15 | M12 | 62 | 32 | 10 | 2206-K | H306X015 | FRM62/6 |
| 15/16 | 23,813 | 50 | 89 | 77 | 52 | 22 | 185 | 150 | 20 | 15 | M12 | 62 | 32 | 10 | 22206..-K | H306X015 | FRM62/6 |
| 15/16 | 23,813 | 50 | 93 | 82 | 52 | 22 | 185 | 150 | 20 | 15 | M12 | 72 | 34 | 11 | 2306-K | H2306X015 | FRM72/3,5 |
| 1 | 25,4 | 50 | 89 | 77 | 52 | 22 | 185 | 150 | 20 | 15 | M12 | 62 | 32 | 10 | 1206-K | H206X100 | FRM62/8 |
| 1 | 25,4 | 50 | 93 | 82 | 52 | 22 | 185 | 150 | 20 | 15 | M12 | 72 | 34 | 11 | 1306-K | H306X100 | FRM72/7,5 |
| 1 | 25,4 | 50 | 89 | 77 | 52 | 22 | 185 | 150 | 20 | 15 | M12 | 62 | 32 | 10 | 20206..-K | H206X100 | FRM62/8 |
| 1 | 25,4 | 50 | 93 | 82 | 52 | 22 | 185 | 150 | 20 | 15 | M12 | 72 | 34 | 11 | 20306..-K | H2306X100 | FRM72/7,5 |
| 1 | 25,4 | 50 | 93 | 82 | 52 | 22 | 185 | 150 | 20 | 15 | M12 | 72 | 34 | 11 | 21306..-K | H2306X100 | FRM72/7,5 |
| 1 | 25,4 | 50 | 89 | 77 | 52 | 22 | 185 | 150 | 20 | 15 | M12 | 62 | 32 | 10 | 2206-K | H306X100 | FRM62/6 |
| 1 | 25,4 | 50 | 89 | 77 | 52 | 22 | 185 | 150 | 20 | 15 | M12 | 62 | 32 | 10 | 22206..-K | H306X100 | FRM62/6 |
| 1 | 25,4 | 50 | 93 | 82 | 52 | 22 | 185 | 150 | 20 | 15 | M12 | 72 | 34 | 11 | 2306-K | H2306X100 | FRM72/3,5 |

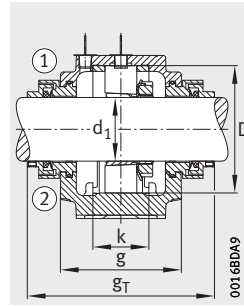
① Locating bearing. ② Non-locating bearing.



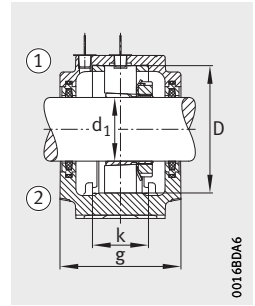
Double lip seal EDH
Cover EDK



Labyrinth seal ETS



Taconite seal ETC

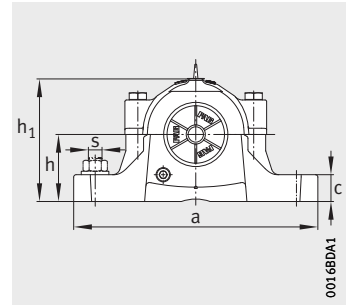
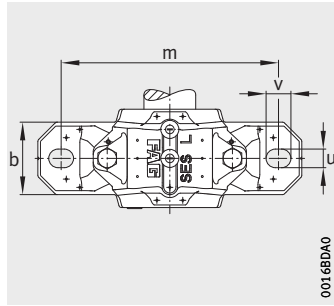


Felt seal EFS

| | | | | | | | | Housing | | |
|-----------------|------------|----------------|----------------------|-------------|----------------------|---------------|----------------------|------------|-------------------|---------------------|
| Double lip seal | Felt seal | Labyrinth seal | | V ring seal | | Taconite seal | | Cover | Mass m ≈ kg | Designation |
| | | | g _L mm | | g _v mm | | g _T mm | | | |
| – | EFS505X012 | ETS505X012 | 80 | EDV505X012 | 67 | ETC505X012 | 125 | EDK505 | 1,45 | SES505-L |
| EDH605X012 | EFS605X012 | ETS605X012 | 89 | EDV605X012 | 77 | ETC605X012 | 135 | EDK506-605 | 2,12 | SES506-605-L |
| – | EFS505X012 | ETS505X012 | 80 | EDV505X012 | 67 | ETC505X012 | 125 | EDK505 | 1,45 | SES505-L |
| EDH605X012 | EFS605X012 | ETS605X012 | 89 | EDV605X012 | 77 | ETC605X012 | 135 | EDK506-605 | 2,12 | SES506-605-L |
| – | EFS505X012 | ETS505X012 | 80 | EDV505X012 | 67 | ETC505X012 | 125 | EDK505 | 1,45 | SES505-L |
| – | EFS505X012 | ETS505X012 | 80 | EDV505X012 | 67 | ETC505X012 | 125 | EDK505 | 1,45 | SES505-L |
| EDH605X012 | EFS605X012 | ETS605X012 | 89 | EDV605X012 | 77 | ETC605X012 | 135 | EDK506-605 | 2,12 | SES506-605-L |
| – | EFS506X014 | ETS506X014 | 89 | EDV506X014 | 77 | ETC506X014 | 135 | EDK506-605 | 2,12 | SES506-605-L |
| – | EFS506X014 | ETS506X014 | 89 | EDV506X014 | 77 | ETC506X014 | 135 | EDK506-605 | 2,12 | SES506-605-L |
| – | EFS506X014 | ETS506X014 | 89 | EDV506X014 | 77 | ETC506X014 | 135 | EDK506-605 | 2,12 | SES506-605-L |
| – | EFS506X014 | ETS506X014 | 89 | EDV506X014 | 77 | ETC506X014 | 135 | EDK506-605 | 2,12 | SES506-605-L |
| – | EFS506X015 | ETS506X015 | 89 | EDV506X015 | 77 | ETC506X015 | 135 | EDK506-605 | 2,12 | SES506-605-L |
| – | EFS606X015 | ETS606X015 | 94 | EDV606X015 | 82 | ETC606X015 | 140 | EDK507-606 | 2,27 | SES507-606-L |
| – | EFS506X015 | ETS506X015 | 89 | EDV506X015 | 77 | ETC506X015 | 135 | EDK506-605 | 2,12 | SES506-605-L |
| – | EFS606X015 | ETS606X015 | 94 | EDV606X015 | 82 | ETC606X015 | 140 | EDK507-606 | 2,27 | SES507-606-L |
| – | EFS606X015 | ETS606X015 | 94 | EDV606X015 | 82 | ETC606X015 | 140 | EDK507-606 | 2,27 | SES507-606-L |
| – | EFS606X015 | ETS606X015 | 94 | EDV606X015 | 82 | ETC606X015 | 140 | EDK507-606 | 2,27 | SES507-606-L |
| – | EFS506X015 | ETS506X015 | 89 | EDV506X015 | 77 | ETC506X015 | 135 | EDK506-605 | 2,12 | SES506-605-L |
| – | EFS506X015 | ETS506X015 | 89 | EDV506X015 | 77 | ETC506X015 | 135 | EDK506-605 | 2,12 | SES506-605-L |
| – | EFS606X015 | ETS606X015 | 94 | EDV606X015 | 82 | ETC606X015 | 140 | EDK507-606 | 2,27 | SES507-606-L |
| EDH506 | EFS506 | ETS506X100 | 89 | EDV506 | 77 | ETC506X100 | 135 | EDK506-605 | 2,12 | SES506-605-L |
| – | EFS606 | ETS606X100 | 94 | EDV606 | 82 | ETC606 | 140 | EDK507-606 | 2,27 | SES507-606-L |
| EDH506 | EFS506 | ETS506X100 | 89 | EDV506 | 77 | ETC506X100 | 135 | EDK506-605 | 2,12 | SES506-605-L |
| – | EFS606 | ETS606X100 | 94 | EDV606 | 82 | ETC606 | 140 | EDK507-606 | 2,27 | SES507-606-L |
| – | EFS606 | ETS606X100 | 94 | EDV606 | 82 | ETC606 | 140 | EDK507-606 | 2,27 | SES507-606-L |
| EDH506 | EFS506 | ETS506X100 | 89 | EDV506 | 77 | ETC506X100 | 135 | EDK506-605 | 2,12 | SES506-605-L |
| EDH506 | EFS506 | ETS506X100 | 89 | EDV506 | 77 | ETC506X100 | 135 | EDK506-605 | 2,12 | SES506-605-L |
| – | EFS606 | ETS606X100 | 94 | EDV606 | 82 | ETC606 | 140 | EDK507-606 | 2,27 | SES507-606-L |

Plummer block housings

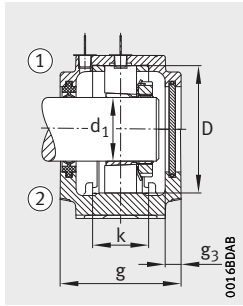
SES, split
For bearings with tapered bore and adapter sleeve
Inch size shaft



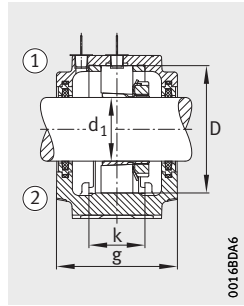
Dimension table (continued) - Dimensions in mm

| Shaft | | Housing Dimensions | | | | | | | | | | | | | Bearing and accessories | | |
|--------|--------|--------------------|----------------|----|----|----|-----|-----|----|----|-----|----|----|----------------|-------------------------|----------------|---------------------------|
| | | h | h ₁ | g | b | c | a | m | v | u | s | D | k | g ₃ | Bearing | Adapter sleeve | Locating ring 2 pieces |
| inch | mm | | | | | | | | | | | | | | | | |
| 1 1/8 | 28,575 | 60 | 108 | 85 | 60 | 25 | 205 | 170 | 20 | 15 | M12 | 80 | 39 | 11 | 1307-K | H307X102 | FRM80/9 |
| 1 1/8 | 28,575 | 60 | 108 | 85 | 60 | 25 | 205 | 170 | 20 | 15 | M12 | 80 | 39 | 11 | 20307-K | H307X102 | FRM80/9 |
| 1 1/8 | 28,575 | 60 | 108 | 85 | 60 | 25 | 205 | 170 | 20 | 15 | M12 | 80 | 39 | 11 | 21307..-K | H307X102 | FRM80/9 |
| 1 1/8 | 28,575 | 60 | 108 | 85 | 60 | 25 | 205 | 170 | 20 | 15 | M12 | 80 | 39 | 11 | 2307-K | H2307X102 | FRM80/4 |
| 1 3/16 | 30,163 | 50 | 93 | 82 | 52 | 22 | 185 | 150 | 20 | 15 | M12 | 72 | 34 | 11 | 1207-K | H207X103 | FRM72/8,5 |
| 1 3/16 | 30,163 | 60 | 108 | 85 | 60 | 25 | 205 | 170 | 20 | 15 | M12 | 80 | 39 | 11 | 1307-K | H307X103 | FRM80/9 |
| 1 3/16 | 30,163 | 50 | 93 | 82 | 52 | 22 | 185 | 150 | 20 | 15 | M12 | 72 | 34 | 11 | 20207-K | H207X103 | FRM72/8,5 |
| 1 3/16 | 30,163 | 60 | 108 | 85 | 60 | 25 | 205 | 170 | 20 | 15 | M12 | 80 | 39 | 11 | 20307..-K | H307X103 | FRM80/9 |
| 1 3/16 | 30,163 | 60 | 108 | 85 | 60 | 25 | 205 | 170 | 20 | 15 | M12 | 80 | 39 | 11 | 21307..-K | H307X103 | FRM80/9 |
| 1 3/16 | 30,163 | 50 | 93 | 82 | 52 | 22 | 185 | 150 | 20 | 15 | M12 | 72 | 34 | 11 | 2207-K | H307X103 | FRM72/5,5 |
| 1 3/16 | 30,163 | 50 | 93 | 82 | 52 | 22 | 185 | 150 | 20 | 15 | M12 | 72 | 34 | 11 | 22207..-K | H307X103 | FRM72/5,5 |
| 1 3/16 | 30,163 | 60 | 108 | 85 | 60 | 25 | 205 | 170 | 20 | 15 | M12 | 80 | 39 | 11 | 2307-K | H2307X103 | FRM80/4 |
| 1 1/4 | 31,75 | 60 | 108 | 85 | 60 | 25 | 205 | 170 | 20 | 15 | M12 | 80 | 39 | 11 | 1208-K | H208X104 | FRM80/10,5 |
| 1 1/4 | 31,75 | 60 | 113 | 90 | 60 | 25 | 205 | 170 | 20 | 15 | M12 | 90 | 41 | 12 | 1308-K | H308X104 | FRM90/9 |
| 1 1/4 | 31,75 | 60 | 108 | 85 | 60 | 25 | 205 | 170 | 20 | 15 | M12 | 80 | 39 | 11 | 20208-K | H208X104 | FRM80/10,5 |
| 1 1/4 | 31,75 | 60 | 113 | 90 | 60 | 25 | 205 | 170 | 20 | 15 | M12 | 90 | 41 | 12 | 20308-K | H308X104 | FRM90/9 |
| 1 1/4 | 31,75 | 60 | 113 | 90 | 60 | 25 | 205 | 170 | 20 | 15 | M12 | 90 | 41 | 12 | 21308..-K | H308X104 | FRM90/9 |
| 1 1/4 | 31,75 | 60 | 108 | 85 | 60 | 25 | 205 | 170 | 20 | 15 | M12 | 80 | 39 | 11 | 2208-K | H308X104 | FRM80/8 |
| 1 1/4 | 31,75 | 60 | 108 | 85 | 60 | 25 | 205 | 170 | 20 | 15 | M12 | 80 | 39 | 11 | 22208..-K | H308X104 | FRM80/8 |
| 1 1/4 | 31,75 | 60 | 113 | 90 | 60 | 25 | 205 | 170 | 20 | 15 | M12 | 90 | 41 | 12 | 22308..-K | H2308X104 | FRM90/4 |
| 1 1/4 | 31,75 | 60 | 113 | 90 | 60 | 25 | 205 | 170 | 20 | 15 | M12 | 90 | 41 | 12 | 2308-K | H2308X104 | FRM90/4 |
| 1 5/16 | 33,338 | 60 | 113 | 90 | 60 | 25 | 205 | 170 | 20 | 15 | M12 | 90 | 41 | 12 | 1308-K | H308X105 | FRM90/9 |
| 1 5/16 | 33,338 | 60 | 113 | 90 | 60 | 25 | 205 | 170 | 20 | 15 | M12 | 90 | 41 | 12 | 20308-K | H308X105 | FRM90/9 |
| 1 5/16 | 33,338 | 60 | 113 | 90 | 60 | 25 | 205 | 170 | 20 | 15 | M12 | 90 | 41 | 12 | 21308..-K | H308X105 | FRM90/9 |
| 1 5/16 | 33,338 | 60 | 113 | 90 | 60 | 25 | 205 | 170 | 20 | 15 | M12 | 90 | 41 | 12 | 22308..-K | H2308X105 | FRM90/4 |
| 1 5/16 | 33,338 | 60 | 113 | 90 | 60 | 25 | 205 | 170 | 20 | 15 | M12 | 90 | 41 | 12 | 2308-K | H2308X105 | FRM90/4 |

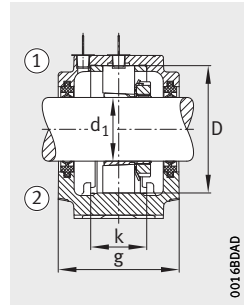
① Locating bearing. ② Non-locating bearing.



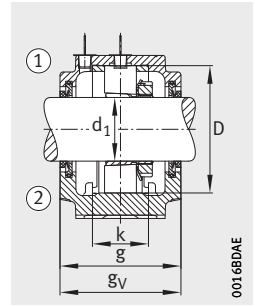
Double lip seal EDH
Cover EDKT



Felt seal EFS



Double lip seal EDH

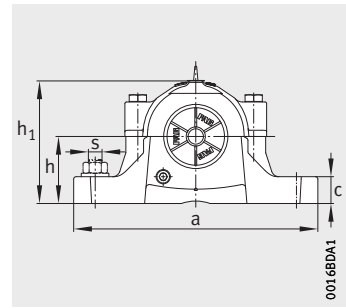
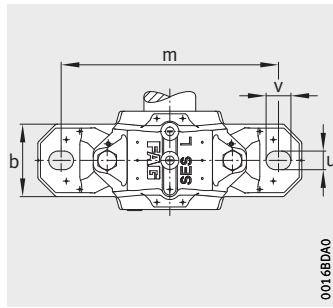


V ring seal EDH

| | | | | | | | | Housing | | |
|-----------------|------------|----------------|----------|-------------|----------|---------------|----------|------------|-------------------|--------------|
| Double lip seal | Felt seal | Labyrinth seal | | V ring seal | | Taconite seal | | Cover | Mass m ≈ kg | Designation |
| | | | gL mm | | gv mm | | gT mm | | | |
| EDH607X102 | EFS607X102 | ETS607X102 | 97 | EDV607X102 | 85 | – | – | EDK508-607 | 2,95 | SES508-607-L |
| EDH607X102 | EFS607X102 | ETS607X102 | 97 | EDV607X102 | 85 | – | – | EDK508-607 | 2,95 | SES508-607-L |
| EDH607X102 | EFS607X102 | ETS607X102 | 97 | EDV607X102 | 85 | – | – | EDK508-607 | 2,95 | SES508-607-L |
| EDH607X102 | EFS607X102 | ETS607X102 | 97 | EDV607X102 | 85 | – | – | EDK508-607 | 2,95 | SES508-607-L |
| EDH507-305 | EFS507-305 | ETS507-305 | 94 | EDV507-305 | 81 | ETC507-305 | 144 | EDK507-606 | 2,27 | SES507-606-L |
| EDH607 | EFS607 | ETS607 | 97 | EDV607 | 85 | ETC607 | 145 | EDK508-607 | 2,95 | SES508-607-L |
| EDH507-305 | EFS507-305 | ETS507-305 | 94 | EDV507-305 | 81 | ETC507-305 | 144 | EDK507-606 | 2,27 | SES507-606-L |
| EDH607 | EFS607 | ETS607 | 97 | EDV607 | 85 | ETC607 | 145 | EDK508-607 | 2,95 | SES508-607-L |
| EDH607 | EFS607 | ETS607 | 97 | EDV607 | 85 | ETC607 | 145 | EDK508-607 | 2,95 | SES508-607-L |
| EDH507-305 | EFS507-305 | ETS507-305 | 94 | EDV507-305 | 81 | ETC507-305 | 144 | EDK507-606 | 2,27 | SES507-606-L |
| EDH507-305 | EFS507-305 | ETS507-305 | 94 | EDV507-305 | 81 | ETC507-305 | 144 | EDK507-606 | 2,27 | SES507-606-L |
| EDH607 | EFS607 | ETS607 | 97 | EDV607 | 85 | ETC607 | 145 | EDK508-607 | 2,95 | SES508-607-L |
| – | EFS508X104 | ETS508X104 | 97 | EDV508X104 | 85 | ETC508X104 | 150 | EDK508-607 | 2,95 | SES508-607-L |
| EDH608X104 | EFS608X104 | ETS608X104 | 102 | EDV608X104 | 90 | ETC608X104 | 150 | EDK510-608 | 3,27 | SES510-608-L |
| – | EFS508X104 | ETS508X104 | 97 | EDV508X104 | 85 | ETC508X104 | 150 | EDK508-607 | 2,95 | SES508-607-L |
| EDH608X104 | EFS608X104 | ETS608X104 | 102 | EDV608X104 | 90 | ETC608X104 | 150 | EDK510-608 | 3,27 | SES510-608-L |
| EDH608X104 | EFS608X104 | ETS608X104 | 102 | EDV608X104 | 90 | ETC608X104 | 150 | EDK510-608 | 3,27 | SES510-608-L |
| – | EFS508X104 | ETS508X104 | 97 | EDV508X104 | 85 | ETC508X104 | 150 | EDK508-607 | 2,95 | SES508-607-L |
| – | EFS508X104 | ETS508X104 | 97 | EDV508X104 | 85 | ETC508X104 | 150 | EDK508-607 | 2,95 | SES508-607-L |
| EDH608X104 | EFS608X104 | ETS608X104 | 102 | EDV608X104 | 90 | ETC608X104 | 150 | EDK510-608 | 3,27 | SES510-608-L |
| EDH608X104 | EFS608X104 | ETS608X104 | 102 | EDV608X104 | 90 | ETC608X104 | 150 | EDK510-608 | 3,27 | SES510-608-L |
| EDH608X104 | EFS608X105 | ETS608X105 | 102 | EDV608X105 | 90 | ETC608X105 | 150 | EDK510-608 | 3,27 | SES510-608-L |
| EDH608X104 | EFS608X105 | ETS608X105 | 102 | EDV608X105 | 90 | ETC608X105 | 150 | EDK510-608 | 3,27 | SES510-608-L |
| EDH608X104 | EFS608X105 | ETS608X105 | 102 | EDV608X105 | 90 | ETC608X105 | 150 | EDK510-608 | 3,27 | SES510-608-L |
| EDH608X104 | EFS608X105 | ETS608X105 | 102 | EDV608X105 | 90 | ETC608X105 | 150 | EDK510-608 | 3,27 | SES510-608-L |
| EDH608X104 | EFS608X105 | ETS608X105 | 102 | EDV608X105 | 90 | ETC608X105 | 150 | EDK510-608 | 3,27 | SES510-608-L |

Plummer block housings

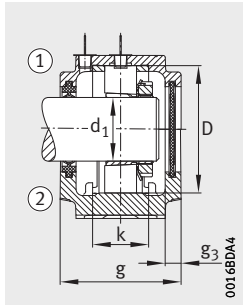
SES, split
For bearings with tapered bore and adapter sleeve
Inch size shaft



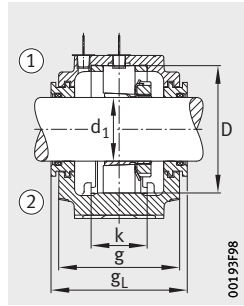
Dimension table (continued) - Dimensions in mm

| Shaft d_1 | | Housing Dimensions | | | | | | | | | | | Bearing and accessories | | | | |
|----------------|--------|--------------------|-------|----|----|----|-----|-----|----|----|-----|-----|-------------------------|-------|-----------|----------------|---------------------------|
| | | h | h_1 | g | b | c | a | m | v | u | s | D | k | g_3 | Bearing | Adapter sleeve | Locating ring 2 pieces |
| inch | mm | | | | | | | | | | | | | | | | |
| 1 3/8 | 34,925 | 60 | 108 | 85 | 60 | 25 | 205 | 170 | 20 | 15 | M12 | 80 | 39 | 11 | 1208-K | H208X106 | FRM80/10,5 |
| 1 3/8 | 34,925 | 60 | 113 | 90 | 60 | 25 | 205 | 170 | 20 | 15 | M12 | 90 | 41 | 12 | 1308-K | H308X106 | FRM90/9 |
| 1 3/8 | 34,925 | 60 | 108 | 85 | 60 | 25 | 205 | 170 | 20 | 15 | M12 | 80 | 39 | 11 | 20208-K | H208X106 | FRM80/10,5 |
| 1 3/8 | 34,925 | 60 | 113 | 90 | 60 | 25 | 205 | 170 | 20 | 15 | M12 | 90 | 41 | 12 | 20308-K | H308X106 | FRM90/9 |
| 1 3/8 | 34,925 | 60 | 113 | 90 | 60 | 25 | 205 | 170 | 20 | 15 | M12 | 90 | 41 | 12 | 21308..-K | H308X106 | FRM90/9 |
| 1 3/8 | 34,925 | 60 | 108 | 85 | 60 | 25 | 205 | 170 | 20 | 15 | M12 | 80 | 39 | 11 | 2208-K | H308X106 | FRM80/8 |
| 1 3/8 | 34,925 | 60 | 108 | 85 | 60 | 25 | 205 | 170 | 20 | 15 | M12 | 80 | 39 | 11 | 22208..-K | H308X106 | FRM80/8 |
| 1 3/8 | 34,925 | 60 | 113 | 90 | 60 | 25 | 205 | 170 | 20 | 15 | M12 | 90 | 41 | 12 | 22308..-K | H2308X106 | FRM90/4 |
| 1 3/8 | 34,925 | 60 | 113 | 90 | 60 | 25 | 205 | 170 | 20 | 15 | M12 | 90 | 41 | 12 | 2308-K | H2308X106 | FRM90/4 |
| 1 7/16 | 36,513 | 60 | 109 | 85 | 60 | 25 | 205 | 170 | 20 | 15 | M12 | 85 | 30 | 12 | 1209-K | H209X107 | FRM85/5,5 |
| 1 7/16 | 36,513 | 70 | 128 | 95 | 70 | 28 | 255 | 210 | 24 | 18 | M16 | 100 | 44 | 12 | 1309-K | H309X107 | FRM100/9,5 |
| 1 7/16 | 36,513 | 60 | 109 | 85 | 60 | 25 | 205 | 170 | 20 | 15 | M12 | 85 | 30 | 12 | 20209-K | H209X107 | FRM85/5,5 |
| 1 7/16 | 36,513 | 70 | 128 | 95 | 70 | 28 | 255 | 210 | 24 | 18 | M16 | 100 | 44 | 12 | 20309-K | H309X107 | FRM100/9,5 |
| 1 7/16 | 36,513 | 70 | 128 | 95 | 70 | 28 | 255 | 210 | 24 | 18 | M16 | 100 | 44 | 12 | 21309..-K | H309X107 | FRM100/9,5 |
| 1 7/16 | 36,513 | 60 | 109 | 85 | 60 | 25 | 205 | 170 | 20 | 15 | M12 | 85 | 30 | 12 | 2209-K | H309X107 | FRM85/3,5 |
| 1 7/16 | 36,513 | 60 | 109 | 85 | 60 | 25 | 205 | 170 | 20 | 15 | M12 | 85 | 30 | 12 | 22209..-K | H309X107 | FRM85/3,5 |
| 1 7/16 | 36,513 | 70 | 128 | 95 | 70 | 28 | 255 | 210 | 24 | 18 | M16 | 100 | 44 | 12 | 22309..-K | H2309X107 | FRM100/4 |
| 1 7/16 | 36,513 | 70 | 128 | 95 | 70 | 28 | 255 | 210 | 24 | 18 | M16 | 100 | 44 | 12 | 2309-K | H2309X107 | FRM100/4 |
| 1 1/2 | 38,1 | 60 | 109 | 85 | 60 | 25 | 205 | 170 | 20 | 15 | M12 | 85 | 30 | 12 | 1209-K | H209X108 | FRM85/5,5 |
| 1 1/2 | 38,1 | 70 | 128 | 95 | 70 | 28 | 255 | 210 | 24 | 18 | M16 | 100 | 44 | 12 | 1309-K | H309X108 | FRM100/9,5 |
| 1 1/2 | 38,1 | 60 | 109 | 85 | 60 | 25 | 205 | 170 | 20 | 15 | M12 | 85 | 30 | 12 | 20209-K | H209X108 | FRM85/5,5 |
| 1 1/2 | 38,1 | 70 | 128 | 95 | 70 | 28 | 255 | 210 | 24 | 18 | M16 | 100 | 44 | 12 | 20309-K | H309X108 | FRM100/9,5 |
| 1 1/2 | 38,1 | 70 | 128 | 95 | 70 | 28 | 255 | 210 | 24 | 18 | M16 | 100 | 44 | 12 | 21309..-K | H309X108 | FRM100/9,5 |
| 1 1/2 | 38,1 | 60 | 109 | 85 | 60 | 25 | 205 | 170 | 20 | 15 | M12 | 85 | 30 | 12 | 2209-K | H309X108 | FRM85/3,5 |
| 1 1/2 | 38,1 | 60 | 109 | 85 | 60 | 25 | 205 | 170 | 20 | 15 | M12 | 85 | 30 | 12 | 22209..-K | H309X108 | FRM85/3,5 |
| 1 1/2 | 38,1 | 70 | 128 | 95 | 70 | 28 | 255 | 210 | 24 | 18 | M16 | 100 | 44 | 12 | 22309..-K | H2309X108 | FRM100/4 |
| 1 1/2 | 38,1 | 70 | 128 | 95 | 70 | 28 | 255 | 210 | 24 | 18 | M16 | 100 | 44 | 12 | 2309-K | H2309X108 | FRM100/4 |

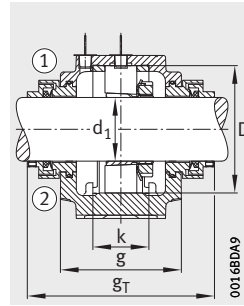
① Locating bearing. ② Non-locating bearing.



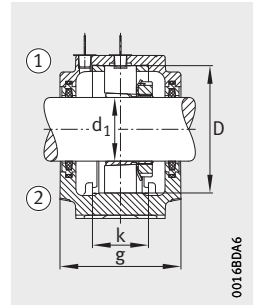
Double lip seal EDH
Cover EDK



Labyrinth seal ETS



Taconite seal ETC



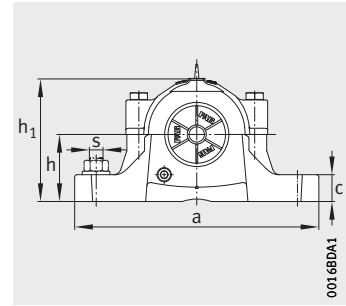
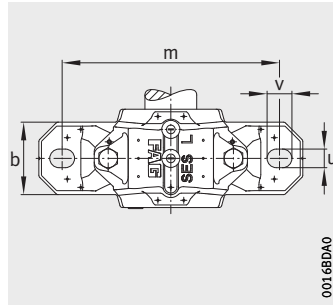
Felt seal EFS

| | | | | | | | | Housing | | |
|-----------------|------------|----------------|----------|-------------|----------|---------------|----------|------------|-------------------|--------------|
| Double lip seal | Felt seal | Labyrinth seal | | V ring seal | | Taconite seal | | Cover | Mass m ≈ kg | Designation |
| | | | gL mm | | gv mm | | gT mm | | | |
| EDH508 | EFS508 | ETS508 | 97 | EDV508 | 85 | ETC508 | 150 | EDK508-607 | 2,95 | SES508-607-L |
| EDH608 | EFS608 | ETS608 | 102 | EDV608 | 90 | ETC608 | 150 | EDK510-608 | 3,27 | SES510-608-L |
| EDH508 | EFS508 | ETS508 | 97 | EDV508 | 85 | ETC508 | 150 | EDK508-607 | 2,95 | SES508-607-L |
| EDH608 | EFS608 | ETS608 | 102 | EDV608 | 90 | ETC608 | 150 | EDK510-608 | 3,27 | SES510-608-L |
| EDH608 | EFS608 | ETS608 | 102 | EDV608 | 90 | ETC608 | 150 | EDK510-608 | 3,27 | SES510-608-L |
| EDH508 | EFS508 | ETS508 | 97 | EDV508 | 85 | ETC508 | 150 | EDK508-607 | 2,95 | SES508-607-L |
| EDH508 | EFS508 | ETS508 | 97 | EDV508 | 85 | ETC508 | 150 | EDK508-607 | 2,95 | SES508-607-L |
| EDH608 | EFS608 | ETS608 | 102 | EDV608 | 90 | ETC608 | 150 | EDK510-608 | 3,27 | SES510-608-L |
| EDH608 | EFS608 | ETS608 | 102 | EDV608 | 90 | ETC608 | 150 | EDK510-608 | 3,27 | SES510-608-L |
| – | EFS509X107 | ETS509X107 | 97 | EDV509X107 | 85 | ETC509X107 | 150 | EDK509 | 3,1 | SES509-L |
| EDH609X107 | EFS609X107 | ETS609X107 | 107 | EDV609X107 | 95 | ETC609X107 | 155 | EDK511-609 | 4,41 | SES511-609-L |
| – | EFS509X107 | ETS509X107 | 97 | EDV509X107 | 85 | ETC509X107 | 150 | EDK509 | 3,1 | SES509-L |
| EDH609X107 | EFS609X107 | ETS609X107 | 107 | EDV609X107 | 95 | ETC609X107 | 155 | EDK511-609 | 4,41 | SES511-609-L |
| EDH609X107 | EFS609X107 | ETS609X107 | 107 | EDV609X107 | 95 | ETC609X107 | 155 | EDK511-609 | 4,41 | SES511-609-L |
| – | EFS509X107 | ETS509X107 | 97 | EDV509X107 | 85 | ETC509X107 | 150 | EDK509 | 3,1 | SES509-L |
| – | EFS509X107 | ETS509X107 | 97 | EDV509X107 | 85 | ETC509X107 | 150 | EDK509 | 3,1 | SES509-L |
| EDH609X107 | EFS609X107 | ETS609X107 | 107 | EDV609X107 | 95 | ETC609X107 | 155 | EDK511-609 | 4,41 | SES511-609-L |
| EDH609X107 | EFS609X107 | ETS609X107 | 107 | EDV609X107 | 95 | ETC609X107 | 155 | EDK511-609 | 4,41 | SES511-609-L |
| – | EFS509X108 | ETS509X108 | 97 | EDV509X108 | 85 | ETC509X108 | 150 | EDK509 | 3,1 | SES509-L |
| EDH609X107 | EFS609X108 | ETS609X108 | 107 | EDV609X108 | 95 | ETC609X108 | 155 | EDK511-609 | 4,41 | SES511-609-L |
| – | EFS509X108 | ETS509X108 | 97 | EDV509X108 | 85 | ETC509X108 | 150 | EDK509 | 3,1 | SES509-L |
| EDH609X107 | EFS609X108 | ETS609X108 | 107 | EDV609X108 | 95 | ETC609X108 | 155 | EDK511-609 | 4,41 | SES511-609-L |
| EDH609X107 | EFS609X108 | ETS609X108 | 107 | EDV609X108 | 95 | ETC609X108 | 155 | EDK511-609 | 4,41 | SES511-609-L |
| – | EFS509X108 | ETS509X108 | 97 | EDV509X108 | 85 | ETC509X108 | 150 | EDK509 | 3,1 | SES509-L |
| – | EFS509X108 | ETS509X108 | 97 | EDV509X108 | 85 | ETC509X108 | 150 | EDK509 | 3,1 | SES509-L |
| EDH609X107 | EFS609X108 | ETS609X108 | 107 | EDV609X108 | 95 | ETC609X108 | 155 | EDK511-609 | 4,41 | SES511-609-L |
| EDH609X107 | EFS609X108 | ETS609X108 | 107 | EDV609X108 | 95 | ETC609X108 | 155 | EDK511-609 | 4,41 | SES511-609-L |

Plummer block housings

SES, split

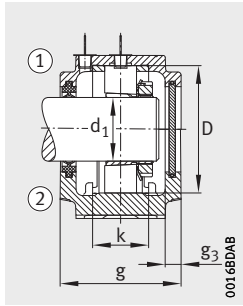
For bearings with tapered bore and adapter sleeve
Inch size shaft



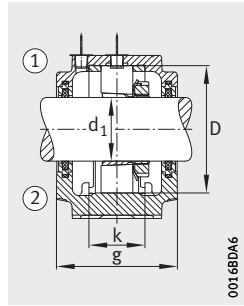
Dimension table (continued) - Dimensions in mm

| Shaft d_1 | | Housing Dimensions | | | | | | | | | | | | Bearing and accessories | | | |
|----------------|--------|--------------------|-------|-----|----|----|-----|-----|----|----|-----|-----|----|-------------------------|-----------|----------------|---------------------------|
| | | h | h_1 | g | b | c | a | m | v | u | s | D | k | g_3 | Bearing | Adapter sleeve | Locating ring 2 pieces |
| inch | mm | | | | | | | | | | | | | | | | |
| 19/16 | 39,688 | 70 | 128 | 95 | 70 | 28 | 255 | 210 | 24 | 18 | M16 | 100 | 44 | 12 | 1309-K | H309X109 | FRM100/9,5 |
| 19/16 | 39,688 | 70 | 128 | 95 | 70 | 28 | 255 | 210 | 24 | 18 | M16 | 100 | 44 | 12 | 20309-K | H309X109 | FRM100/9,5 |
| 19/16 | 39,688 | 70 | 128 | 95 | 70 | 28 | 255 | 210 | 24 | 18 | M16 | 100 | 44 | 12 | 21309..-K | H309X109 | FRM100/9,5 |
| 19/16 | 39,688 | 70 | 128 | 95 | 70 | 28 | 255 | 210 | 24 | 18 | M16 | 100 | 44 | 12 | 22309..-K | H2309X109 | FRM100/4 |
| 19/16 | 39,688 | 70 | 128 | 95 | 70 | 28 | 255 | 210 | 24 | 18 | M16 | 100 | 44 | 12 | 2309-K | H2309X109 | FRM100/4 |
| 15/8 | 41,275 | 70 | 134 | 105 | 70 | 30 | 255 | 210 | 24 | 18 | M16 | 110 | 48 | 12 | 1310-K | H310X110 | FRM110/10,5 |
| 15/8 | 41,275 | 70 | 134 | 105 | 70 | 30 | 255 | 210 | 24 | 18 | M16 | 110 | 48 | 12 | 20310-K | H310X110 | FRM110/10,5 |
| 15/8 | 41,275 | 70 | 134 | 105 | 70 | 30 | 255 | 210 | 24 | 18 | M16 | 110 | 48 | 12 | 21310..-K | H310X110 | FRM110/10,5 |
| 15/8 | 41,275 | 70 | 134 | 105 | 70 | 30 | 255 | 210 | 24 | 18 | M16 | 110 | 48 | 12 | 22310..-K | H2310X110 | FRM110/4 |
| 15/8 | 41,275 | 70 | 134 | 105 | 70 | 30 | 255 | 210 | 24 | 18 | M16 | 110 | 48 | 12 | 2310-K | H2310X110 | FRM110/4 |
| 111/16 | 42,863 | 60 | 113 | 90 | 60 | 25 | 205 | 170 | 20 | 15 | M12 | 90 | 41 | 12 | 1210-K | H210X111 | FRM90/10,5 |
| 111/16 | 42,863 | 70 | 134 | 105 | 70 | 30 | 255 | 210 | 24 | 18 | M16 | 110 | 48 | 12 | 1310-K | H310X111 | FRM110/10,5 |
| 111/16 | 42,863 | 60 | 113 | 90 | 60 | 25 | 205 | 170 | 20 | 15 | M12 | 90 | 41 | 12 | 20210-K | H210X111 | FRM90/10,5 |
| 111/16 | 42,863 | 70 | 134 | 105 | 70 | 30 | 255 | 210 | 24 | 18 | M16 | 110 | 48 | 12 | 20310-K | H310X111 | FRM110/10,5 |
| 111/16 | 42,863 | 70 | 134 | 105 | 70 | 30 | 255 | 210 | 24 | 18 | M16 | 110 | 48 | 12 | 21310..-K | H310X111 | FRM110/10,5 |
| 111/16 | 42,863 | 60 | 113 | 90 | 60 | 25 | 205 | 170 | 20 | 15 | M12 | 90 | 41 | 12 | 2210-K | H310X111 | FRM90/9 |
| 111/16 | 42,863 | 60 | 113 | 90 | 60 | 25 | 205 | 170 | 20 | 15 | M12 | 90 | 41 | 12 | 22210..-K | H310X111 | FRM90/9 |
| 111/16 | 42,863 | 70 | 134 | 105 | 70 | 30 | 255 | 210 | 24 | 18 | M16 | 110 | 48 | 12 | 22310..-K | H2310X111 | FRM110/4 |
| 111/16 | 42,863 | 70 | 134 | 105 | 70 | 30 | 255 | 210 | 24 | 18 | M16 | 110 | 48 | 12 | 2310-K | H2310X111 | FRM110/4 |
| 13/4 | 44,45 | 60 | 113 | 90 | 60 | 25 | 205 | 170 | 20 | 15 | M12 | 90 | 41 | 12 | 1210-K | H210X112 | FRM90/10,5 |
| 13/4 | 44,45 | 70 | 134 | 105 | 70 | 30 | 255 | 210 | 24 | 18 | M16 | 110 | 48 | 12 | 1310-K | H310X112 | FRM110/10,5 |
| 13/4 | 44,45 | 60 | 113 | 90 | 60 | 25 | 205 | 170 | 20 | 15 | M12 | 90 | 41 | 12 | 20210-K | H210X112 | FRM90/10,5 |
| 13/4 | 44,45 | 70 | 134 | 105 | 70 | 30 | 255 | 210 | 24 | 18 | M16 | 110 | 48 | 12 | 20310-K | H310X112 | FRM110/10,5 |
| 13/4 | 44,45 | 70 | 134 | 105 | 70 | 30 | 255 | 210 | 24 | 18 | M16 | 110 | 48 | 12 | 21310..-K | H310X112 | FRM110/10,5 |
| 13/4 | 44,45 | 60 | 113 | 90 | 60 | 25 | 205 | 170 | 20 | 15 | M12 | 90 | 41 | 12 | 2210-K | H310X112 | FRM90/9 |
| 13/4 | 44,45 | 60 | 113 | 90 | 60 | 25 | 205 | 170 | 20 | 15 | M12 | 90 | 41 | 12 | 22210..-K | H310X112 | FRM90/9 |
| 13/4 | 44,45 | 70 | 134 | 105 | 70 | 30 | 255 | 210 | 24 | 18 | M16 | 110 | 48 | 12 | 22310..-K | H2310X112 | FRM110/4 |
| 13/4 | 44,45 | 70 | 134 | 105 | 70 | 30 | 255 | 210 | 24 | 18 | M16 | 110 | 48 | 12 | 2310-K | H2310X112 | FRM110/4 |

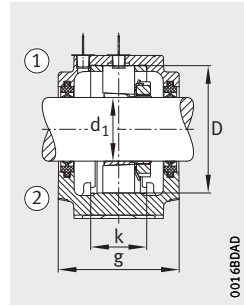
① Locating bearing. ② Non-locating bearing.



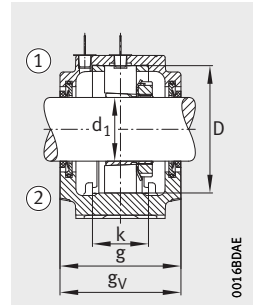
Double lip seal EDH
Cover EDKT



Felt seal EFS



Double lip seal EDH

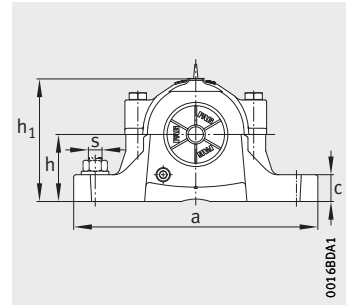
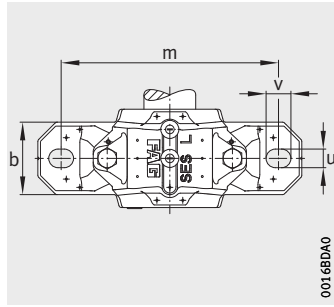


V ring seal EDH

| | | | | | | | | Housing | | |
|-----------------|------------|----------------|----------|-------------|----------|---------------|----------|------------|-------------------|--------------|
| Double lip seal | Felt seal | Labyrinth seal | | V ring seal | | Taconite seal | | Cover | Mass m ≈ kg | Designation |
| | | | gL mm | | gv mm | | gr mm | | | |
| EDH609 | EFS609 | ETS609 | 107 | EDV609 | 95 | ETC609 | 155 | EDK511-609 | 4,41 | SES511-609-L |
| EDH609 | EFS609 | ETS609 | 107 | EDV609 | 95 | ETC609 | 155 | EDK511-609 | 4,41 | SES511-609-L |
| EDH609 | EFS609 | ETS609 | 107 | EDV609 | 95 | ETC609 | 155 | EDK511-609 | 4,41 | SES511-609-L |
| EDH609 | EFS609 | ETS609 | 107 | EDV609 | 95 | ETC609 | 155 | EDK511-609 | 4,41 | SES511-609-L |
| EDH609 | EFS609 | ETS609 | 107 | EDV609 | 95 | ETC609 | 155 | EDK511-609 | 4,41 | SES511-609-L |
| EDH610X110 | EFS610X110 | ETS610X110 | 117 | EDV610X110 | 105 | ETC610X110 | 165 | EDK512-610 | 5,2 | SES512-610-L |
| EDH610X110 | EFS610X110 | ETS610X110 | 117 | EDV610X110 | 105 | ETC610X110 | 165 | EDK512-610 | 5,2 | SES512-610-L |
| EDH610X110 | EFS610X110 | ETS610X110 | 117 | EDV610X110 | 105 | ETC610X110 | 165 | EDK512-610 | 5,2 | SES512-610-L |
| EDH610X110 | EFS610X110 | ETS610X110 | 117 | EDV610X110 | 105 | ETC610X110 | 165 | EDK512-610 | 5,2 | SES512-610-L |
| EDH610X110 | EFS610X110 | ETS610X110 | 117 | EDV610X110 | 105 | ETC610X110 | 165 | EDK512-610 | 5,2 | SES512-610-L |
| – | EFS510X111 | ETS510X111 | 102 | EDV510X111 | 90 | ETC510X111 | 155 | EDK510-608 | 3,27 | SES510-608-L |
| EDH610X110 | EFS610X111 | ETS610X111 | 117 | EDV610X111 | 105 | ETC610X111 | 165 | EDK512-610 | 5,2 | SES512-610-L |
| – | EFS510X111 | ETS510X111 | 102 | EDV510X111 | 90 | ETC510X111 | 155 | EDK510-608 | 3,27 | SES510-608-L |
| EDH610X110 | EFS610X111 | ETS610X111 | 117 | EDV610X111 | 105 | ETC610X111 | 165 | EDK512-610 | 5,2 | SES512-610-L |
| EDH610X110 | EFS610X111 | ETS610X111 | 117 | EDV610X111 | 105 | ETC610X111 | 165 | EDK512-610 | 5,2 | SES512-610-L |
| – | EFS510X111 | ETS510X111 | 102 | EDV510X111 | 90 | ETC510X111 | 155 | EDK510-608 | 3,27 | SES510-608-L |
| – | EFS510X111 | ETS510X111 | 102 | EDV510X111 | 90 | ETC510X111 | 155 | EDK510-608 | 3,27 | SES510-608-L |
| EDH610X110 | EFS610X111 | ETS610X111 | 117 | EDV610X111 | 105 | ETC610X111 | 165 | EDK512-610 | 5,2 | SES512-610-L |
| EDH610X110 | EFS610X111 | ETS610X111 | 117 | EDV610X111 | 105 | ETC610X111 | 165 | EDK512-610 | 5,2 | SES512-610-L |
| EDH510-307 | EFS510-307 | ETS510X112 | 102 | EDV510-307 | 88 | ETC510-307 | 148 | EDK510-608 | 3,27 | SES510-608-L |
| EDH610 | EFS610 | ETS610X112 | 117 | EDV610 | 105 | ETC610 | 165 | EDK512-610 | 5,2 | SES512-610-L |
| EDH510-307 | EFS510-307 | ETS510X112 | 102 | EDV510-307 | 88 | ETC510-307 | 148 | EDK510-608 | 3,27 | SES510-608-L |
| EDH610 | EFS610 | ETS610X112 | 117 | EDV610 | 105 | ETC610 | 165 | EDK512-610 | 5,2 | SES512-610-L |
| EDH610 | EFS610 | ETS610X112 | 117 | EDV610 | 105 | ETC610 | 165 | EDK512-610 | 5,2 | SES512-610-L |
| EDH510-307 | EFS510-307 | ETS510X112 | 102 | EDV510-307 | 88 | ETC510-307 | 148 | EDK510-608 | 3,27 | SES510-608-L |
| EDH510-307 | EFS510-307 | ETS510X112 | 102 | EDV510-307 | 88 | ETC510-307 | 148 | EDK510-608 | 3,27 | SES510-608-L |
| EDH610 | EFS610 | ETS610X112 | 117 | EDV610 | 105 | ETC610 | 165 | EDK512-610 | 5,2 | SES512-610-L |
| EDH610 | EFS610 | ETS610X112 | 117 | EDV610 | 105 | ETC610 | 165 | EDK512-610 | 5,2 | SES512-610-L |

Plummer block housings

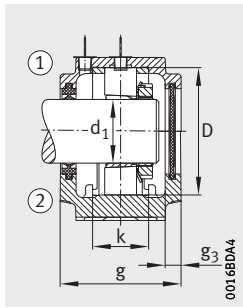
SES, split
For bearings with tapered bore and adapter sleeve
Inch size shaft



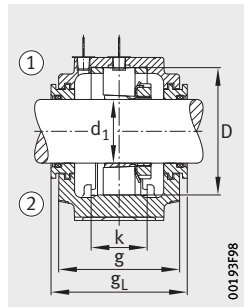
Dimension table (continued) - Dimensions in mm

| Shaft | | Housing Dimensions | | | | | | | | | | | | Bearing and accessories | | | |
|-------|--------|--------------------|----------------|-----|----|----|-----|-----|----|----|-----|-----|----|-------------------------|------------|----------------|---------------------------|
| | | h | h ₁ | g | b | c | a | m | v | u | s | D | k | g ₃ | Bearing | Adapter sleeve | Locating ring 2 pieces |
| inch | mm | | | | | | | | | | | | | | | | |
| 17/8 | 47,625 | 80 | 150 | 110 | 80 | 30 | 275 | 230 | 24 | 18 | M16 | 120 | 51 | 13 | 1311-K | H311X114 | FRM120/11 |
| 17/8 | 47,625 | 80 | 150 | 110 | 80 | 30 | 275 | 230 | 24 | 18 | M16 | 120 | 51 | 13 | 20311-K | H311X114 | FRM120/11 |
| 17/8 | 47,625 | 80 | 150 | 110 | 80 | 30 | 275 | 230 | 24 | 18 | M16 | 120 | 51 | 13 | 21311...-K | H311X114 | FRM120/11 |
| 17/8 | 47,625 | 80 | 150 | 110 | 80 | 30 | 275 | 230 | 24 | 18 | M16 | 120 | 51 | 13 | 22311...-K | H2311X114 | FRM120/4 |
| 17/8 | 47,625 | 80 | 150 | 110 | 80 | 30 | 275 | 230 | 24 | 18 | M16 | 120 | 51 | 13 | 2311-K | H2311X114 | FRM120/4 |
| 15/16 | 49,213 | 70 | 128 | 95 | 70 | 28 | 255 | 210 | 24 | 18 | M16 | 100 | 44 | 12 | 1211-K | H211X115 | FRM100/11,5 |
| 15/16 | 49,213 | 80 | 150 | 110 | 80 | 30 | 275 | 230 | 24 | 18 | M16 | 120 | 51 | 13 | 1311-K | H311X115 | FRM120/11 |
| 15/16 | 49,213 | 70 | 128 | 95 | 70 | 28 | 255 | 210 | 24 | 18 | M16 | 100 | 44 | 12 | 20211-K | H211X115 | FRM100/11,5 |
| 15/16 | 49,213 | 80 | 150 | 110 | 80 | 30 | 275 | 230 | 24 | 18 | M16 | 120 | 51 | 13 | 20311-K | H311X115 | FRM120/11 |
| 15/16 | 49,213 | 80 | 150 | 110 | 80 | 30 | 275 | 230 | 24 | 18 | M16 | 120 | 51 | 13 | 21311...-K | H311X115 | FRM120/11 |
| 15/16 | 49,213 | 70 | 128 | 95 | 70 | 28 | 255 | 210 | 24 | 18 | M16 | 100 | 44 | 12 | 2211-K | H311X115 | FRM100/9,5 |
| 15/16 | 49,213 | 70 | 128 | 95 | 70 | 28 | 255 | 210 | 24 | 18 | M16 | 100 | 44 | 12 | 22211...-K | H311X115 | FRM100/9,5 |
| 15/16 | 49,213 | 80 | 150 | 110 | 80 | 30 | 275 | 230 | 24 | 18 | M16 | 120 | 51 | 13 | 22311...-K | H2311X115 | FRM120/4 |
| 15/16 | 49,213 | 80 | 150 | 110 | 80 | 30 | 275 | 230 | 24 | 18 | M16 | 120 | 51 | 13 | 2311-K | H2311X115 | FRM120/4 |
| 2 | 50,8 | 70 | 128 | 95 | 70 | 28 | 255 | 210 | 24 | 18 | M16 | 100 | 44 | 12 | 1211-K | H211X200 | FRM100/11,5 |
| 2 | 50,8 | 80 | 150 | 110 | 80 | 30 | 275 | 230 | 24 | 18 | M16 | 120 | 51 | 13 | 1311-K | H311X200 | FRM120/11 |
| 2 | 50,8 | 70 | 128 | 95 | 70 | 28 | 255 | 210 | 24 | 18 | M16 | 100 | 44 | 12 | 20211-K | H211X200 | FRM100/11,5 |
| 2 | 50,8 | 80 | 150 | 110 | 80 | 30 | 275 | 230 | 24 | 18 | M16 | 120 | 51 | 13 | 20311-K | H311X200 | FRM120/11 |
| 2 | 50,8 | 80 | 150 | 110 | 80 | 30 | 275 | 230 | 24 | 18 | M16 | 120 | 51 | 13 | 21311...-K | H311X200 | FRM120/11 |
| 2 | 50,8 | 70 | 128 | 95 | 70 | 28 | 255 | 210 | 24 | 18 | M16 | 100 | 44 | 12 | 2211-K | H311X200 | FRM100/9,5 |
| 2 | 50,8 | 70 | 128 | 95 | 70 | 28 | 255 | 210 | 24 | 18 | M16 | 100 | 44 | 12 | 22211...-K | H311X200 | FRM100/9,5 |
| 2 | 50,8 | 80 | 150 | 110 | 80 | 30 | 275 | 230 | 24 | 18 | M16 | 120 | 51 | 13 | 22311...-K | H2311X200 | FRM120/4 |
| 2 | 50,8 | 80 | 150 | 110 | 80 | 30 | 275 | 230 | 24 | 18 | M16 | 120 | 51 | 13 | 2311-K | H2311X200 | FRM120/4 |

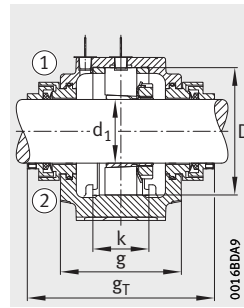
① Locating bearing. ② Non-locating bearing.



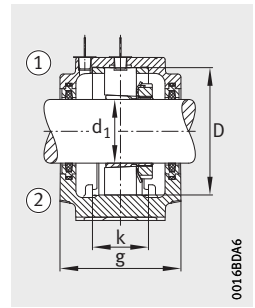
Double lip seal EDH
Cover EDK



Labyrinth seal ETS



Taconite seal ETC

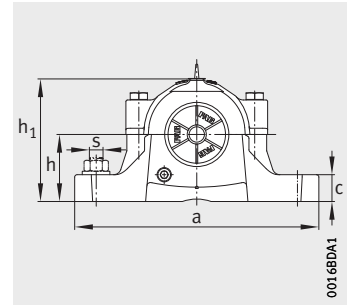
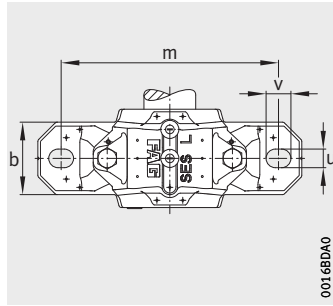


Felt seal EFS

| | | | | | | | | Housing | | |
|-----------------|------------|----------------|-------|-------------|-------|---------------|-------|------------|-------------|--------------|
| Double lip seal | Felt seal | Labyrinth seal | | V ring seal | | Taconite seal | | Cover | Mass m ≈ kg | Designation |
| | | | gL mm | | gv mm | | gT mm | | | |
| EDH611X114 | EFS611X114 | ETS611X114 | 122 | EDV611X114 | 110 | ETC611X114 | 170 | EDK513-611 | 6,5 | SES513-611-L |
| EDH611X114 | EFS611X114 | ETS611X114 | 122 | EDV611X114 | 110 | ETC611X114 | 170 | EDK513-611 | 6,5 | SES513-611-L |
| EDH611X114 | EFS611X114 | ETS611X114 | 122 | EDV611X114 | 110 | ETC611X114 | 170 | EDK513-611 | 6,5 | SES513-611-L |
| EDH611X114 | EFS611X114 | ETS611X114 | 122 | EDV611X114 | 110 | ETC611X114 | 170 | EDK513-611 | 6,5 | SES513-611-L |
| EDH611X114 | EFS611X114 | ETS611X114 | 122 | EDV611X114 | 110 | ETC611X114 | 170 | EDK513-611 | 6,5 | SES513-611-L |
| EDH511 | EFS511X115 | ETS511X115 | 107 | EDV511X115 | 95 | ETC511X115 | 165 | EDK511-609 | 4,41 | SES511-609-L |
| EDH611 | EFS611X115 | ETS611X115 | 122 | EDV611X115 | 110 | ETC611X115 | 170 | EDK513-611 | 6,5 | SES513-611-L |
| EDH511 | EFS511X115 | ETS511X115 | 107 | EDV511X115 | 95 | ETC511X115 | 165 | EDK511-609 | 4,41 | SES511-609-L |
| EDH611 | EFS611X115 | ETS611X115 | 122 | EDV611X115 | 110 | ETC611X115 | 170 | EDK513-611 | 6,5 | SES513-611-L |
| EDH611 | EFS611X115 | ETS611X115 | 122 | EDV611X115 | 110 | ETC611X115 | 170 | EDK513-611 | 6,5 | SES513-611-L |
| EDH511 | EFS511X115 | ETS511X115 | 107 | EDV511X115 | 95 | ETC511X115 | 165 | EDK511-609 | 4,41 | SES511-609-L |
| EDH511 | EFS511X115 | ETS511X115 | 107 | EDV511X115 | 95 | ETC511X115 | 165 | EDK511-609 | 4,41 | SES511-609-L |
| EDH611 | EFS611X115 | ETS611X115 | 122 | EDV611X115 | 110 | ETC611X115 | 170 | EDK513-611 | 6,5 | SES513-611-L |
| EDH611 | EFS611X115 | ETS611X115 | 122 | EDV611X115 | 110 | ETC611X115 | 170 | EDK513-611 | 6,5 | SES513-611-L |
| EDH511 | EFS511 | ETS511X200 | 107 | EDV511 | 95 | ETC511X200 | 165 | EDK511-609 | 4,41 | SES511-609-L |
| EDH611 | EFS611 | ETS611X200 | 122 | EDV611 | 110 | ETC611X200 | 170 | EDK513-611 | 6,5 | SES513-611-L |
| EDH511 | EFS511 | ETS511X200 | 107 | EDV511 | 95 | ETC511X200 | 165 | EDK511-609 | 4,41 | SES511-609-L |
| EDH611 | EFS611 | ETS611X200 | 122 | EDV611 | 110 | ETC611X200 | 170 | EDK513-611 | 6,5 | SES513-611-L |
| EDH611 | EFS611 | ETS611X200 | 122 | EDV611 | 110 | ETC611X200 | 170 | EDK513-611 | 6,5 | SES513-611-L |
| EDH511 | EFS511 | ETS511X200 | 107 | EDV511 | 95 | ETC511X200 | 165 | EDK511-609 | 4,41 | SES511-609-L |
| EDH511 | EFS511 | ETS511X200 | 107 | EDV511 | 95 | ETC511X200 | 165 | EDK511-609 | 4,41 | SES511-609-L |
| EDH611 | EFS611 | ETS611X200 | 122 | EDV611 | 110 | ETC611X200 | 170 | EDK513-611 | 6,5 | SES513-611-L |
| EDH611 | EFS611 | ETS611X200 | 122 | EDV611 | 110 | ETC611X200 | 170 | EDK513-611 | 6,5 | SES513-611-L |

Plummer block housings

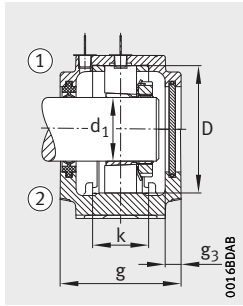
SES, split
For bearings with tapered bore and adapter sleeve
Inch size shaft



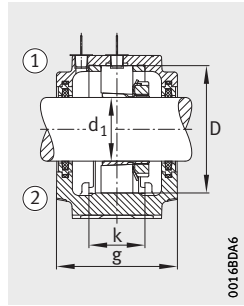
Dimension table (continued) · Dimensions in mm

| Shaft | | Housing Dimensions | | | | | | | | | | | | | Bearing and accessories | | |
|-------|--------|--------------------|----------------|-----|----|----|-----|-----|----|----|-----|-----|----|----------------|-------------------------|----------------|---------------------------|
| | | h | h ₁ | g | b | c | a | m | v | u | s | D | k | g ₃ | Bearing | Adapter sleeve | Locating ring 2 pieces |
| inch | mm | | | | | | | | | | | | | | | | |
| 23/16 | 55,563 | 80 | 150 | 110 | 80 | 30 | 275 | 230 | 24 | 18 | M16 | 120 | 51 | 13 | 1213-K | H213X203 | FRM120/14 |
| 23/16 | 55,563 | 95 | 177 | 120 | 90 | 32 | 315 | 260 | 28 | 22 | M20 | 140 | 58 | 13 | 1313-K | H313X203 | FRM140/12,5 |
| 23/16 | 55,563 | 80 | 150 | 110 | 80 | 30 | 275 | 230 | 24 | 18 | M16 | 120 | 51 | 13 | 20213-K | H213X203 | FRM120/14 |
| 23/16 | 55,563 | 95 | 177 | 120 | 90 | 32 | 315 | 260 | 28 | 22 | M20 | 140 | 58 | 13 | 20313-K | H313X203 | FRM140/12,5 |
| 23/16 | 55,563 | 95 | 177 | 120 | 90 | 32 | 315 | 260 | 28 | 22 | M20 | 140 | 58 | 13 | 21313...K | H313X203 | FRM140/12,5 |
| 23/16 | 55,563 | 80 | 150 | 110 | 80 | 30 | 275 | 230 | 24 | 18 | M16 | 120 | 51 | 13 | 2213-K | H313X203 | FRM120/10 |
| 23/16 | 55,563 | 80 | 150 | 110 | 80 | 30 | 275 | 230 | 24 | 18 | M16 | 120 | 51 | 13 | 22213...K | H313X203 | FRM120/10 |
| 23/16 | 55,563 | 80 | 150 | 110 | 80 | 30 | 275 | 230 | 24 | 18 | M16 | 120 | 51 | 13 | 222S.203 | – | FRM120/10 |
| 23/16 | 55,563 | 95 | 177 | 120 | 90 | 32 | 315 | 260 | 28 | 22 | M20 | 140 | 58 | 13 | 22313...K | H2313X203 | FRM140/5 |
| 23/16 | 55,563 | 95 | 177 | 120 | 90 | 32 | 315 | 260 | 28 | 22 | M20 | 140 | 58 | 13 | 2313-K | H2313X203 | FRM140/5 |
| 21/4 | 57,15 | 80 | 150 | 110 | 80 | 30 | 275 | 230 | 24 | 18 | M16 | 120 | 51 | 13 | 1213-K | H213X204 | FRM120/14 |
| 21/4 | 57,15 | 95 | 177 | 120 | 90 | 32 | 315 | 260 | 28 | 22 | M20 | 140 | 58 | 13 | 1313-K | H313X204 | FRM140/12,5 |
| 21/4 | 57,15 | 80 | 150 | 110 | 80 | 30 | 275 | 230 | 24 | 18 | M16 | 120 | 51 | 13 | 20213-K | H213X204 | FRM120/14 |
| 21/4 | 57,15 | 95 | 177 | 120 | 90 | 32 | 315 | 260 | 28 | 22 | M20 | 140 | 58 | 13 | 20313-K | H313X204 | FRM140/12,5 |
| 21/4 | 57,15 | 95 | 177 | 120 | 90 | 32 | 315 | 260 | 28 | 22 | M20 | 140 | 58 | 13 | 21313...K | H313X204 | FRM140/12,5 |
| 21/4 | 57,15 | 80 | 150 | 110 | 80 | 30 | 275 | 230 | 24 | 18 | M16 | 120 | 51 | 13 | 2213-K | H313X204 | FRM120/10 |
| 21/4 | 57,15 | 80 | 150 | 110 | 80 | 30 | 275 | 230 | 24 | 18 | M16 | 120 | 51 | 13 | 22213...K | H313X204 | FRM120/10 |
| 21/4 | 57,15 | 80 | 150 | 110 | 80 | 30 | 275 | 230 | 24 | 18 | M16 | 120 | 51 | 13 | 222S.204 | – | FRM120/10 |
| 21/4 | 57,15 | 95 | 177 | 120 | 90 | 32 | 315 | 260 | 28 | 22 | M20 | 140 | 58 | 13 | 22313...K | H2313X204 | FRM140/5 |
| 21/4 | 57,15 | 95 | 177 | 120 | 90 | 32 | 315 | 260 | 28 | 22 | M20 | 140 | 58 | 13 | 2313-K | H2313X204 | FRM140/5 |
| 23/8 | 60,325 | 95 | 177 | 120 | 90 | 32 | 315 | 260 | 28 | 22 | M20 | 140 | 58 | 13 | 1313-K | H313X206 | FRM140/12,5 |
| 23/8 | 60,325 | 95 | 177 | 120 | 90 | 32 | 315 | 260 | 28 | 22 | M20 | 140 | 58 | 13 | 20313-K | H313X206 | FRM140/12,5 |
| 23/8 | 60,325 | 95 | 177 | 120 | 90 | 32 | 315 | 260 | 28 | 22 | M20 | 140 | 58 | 13 | 21313...K | H313X206 | FRM140/12,5 |
| 23/8 | 60,325 | 95 | 177 | 120 | 90 | 32 | 315 | 260 | 28 | 22 | M20 | 140 | 58 | 13 | 22313...K | H2313X206 | FRM140/5 |
| 23/8 | 60,325 | 95 | 177 | 120 | 90 | 32 | 315 | 260 | 28 | 22 | M20 | 140 | 58 | 13 | 2313...K | H2313X206 | FRM140/5 |

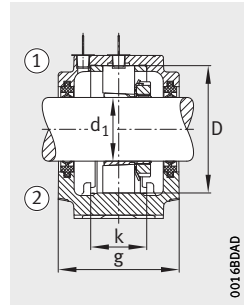
① Locating bearing. ② Non-locating bearing.



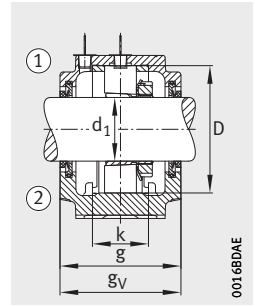
Double lip seal EDH
Cover EDKT



Felt seal EFS



Double lip seal EDH

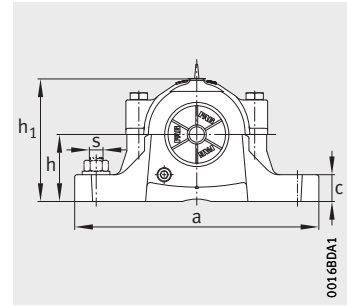
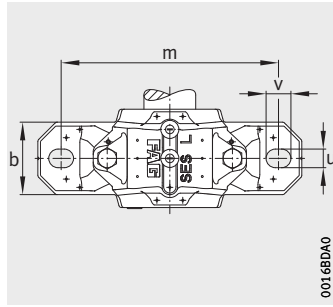


V ring seal EDH

| | | | | | | | | Housing | | |
|-----------------|------------|----------------|----------|-------------|----------|---------------|----------|------------|-------------------|--------------|
| Double lip seal | Felt seal | Labyrinth seal | | V ring seal | | Taconite seal | | Cover | Mass m ≈ kg | Designation |
| | | | gL mm | | gv mm | | gr mm | | | |
| EDH513X203 | EFS513X203 | ETS513X203 | 122 | EDV513X203 | 110 | ETC513X203 | 180 | EDK513-611 | 6,5 | SES513-611-L |
| – | EFS613X203 | ETS613X203 | 134 | EDV613X203 | 120 | ETC613X203 | 180 | EDK516-613 | 9,3 | SES516-613-L |
| EDH513X203 | EFS513X203 | ETS513X203 | 122 | EDV513X203 | 110 | ETC513X203 | 180 | EDK513-611 | 6,5 | SES513-611-L |
| – | EFS613X203 | ETS613X203 | 134 | EDV613X203 | 120 | ETC613X203 | 180 | EDK516-613 | 9,3 | SES516-613-L |
| – | EFS613X203 | ETS613X203 | 134 | EDV613X203 | 120 | ETC613X203 | 180 | EDK516-613 | 9,3 | SES516-613-L |
| EDH513X203 | EFS513X203 | ETS513X203 | 122 | EDV513X203 | 110 | ETC513X203 | 180 | EDK513-611 | 6,5 | SES513-611-L |
| EDH513X203 | EFS513X203 | ETS513X203 | 122 | EDV513X203 | 110 | ETC513X203 | 180 | EDK513-611 | 6,5 | SES513-611-L |
| EDH513X203 | EFS513X203 | ETS513X203 | 122 | EDV513X203 | 110 | ETC513X203 | 180 | EDK513-611 | 6,5 | SES513-611-L |
| – | EFS613X203 | ETS613X203 | 134 | EDV613X203 | 120 | ETC613X203 | 180 | EDK516-613 | 9,3 | SES516-613-L |
| – | EFS613X203 | ETS613X203 | 134 | EDV613X203 | 120 | ETC613X203 | 180 | EDK516-613 | 9,3 | SES516-613-L |
| – | EFS513X204 | ETS513X204 | 122 | EDV513X204 | 110 | ETC513X204 | 180 | EDK513-611 | 6,5 | SES513-611-L |
| – | EFS613X204 | ETS613X204 | 134 | EDV613X204 | 120 | ETC613X204 | 180 | EDK516-613 | 9,3 | SES516-613-L |
| – | EFS513X204 | ETS513X204 | 122 | EDV513X204 | 110 | ETC513X204 | 180 | EDK513-611 | 6,5 | SES513-611-L |
| – | EFS613X204 | ETS613X204 | 134 | EDV613X204 | 120 | ETC613X204 | 180 | EDK516-613 | 9,3 | SES516-613-L |
| – | EFS613X204 | ETS613X204 | 134 | EDV613X204 | 120 | ETC613X204 | 180 | EDK516-613 | 9,3 | SES516-613-L |
| – | EFS513X204 | ETS513X204 | 122 | EDV513X204 | 110 | ETC513X204 | 180 | EDK513-611 | 6,5 | SES513-611-L |
| – | EFS513X204 | ETS513X204 | 122 | EDV513X204 | 110 | ETC513X204 | 180 | EDK513-611 | 6,5 | SES513-611-L |
| – | EFS513X204 | ETS513X204 | 122 | EDV513X204 | 110 | ETC513X204 | 180 | EDK513-611 | 6,5 | SES513-611-L |
| – | EFS613X204 | ETS613X204 | 134 | EDV613X204 | 120 | ETC613X204 | 180 | EDK516-613 | 9,3 | SES516-613-L |
| – | EFS613X204 | ETS613X204 | 134 | EDV613X204 | 120 | ETC613X204 | 180 | EDK516-613 | 9,3 | SES516-613-L |
| EDH613 | EFS613 | ETS613 | 134 | EDV613 | 120 | ETC613 | 180 | EDK516-613 | 9,3 | SES516-613-L |
| EDH613 | EFS613 | ETS613 | 134 | EDV613 | 120 | ETC613 | 180 | EDK516-613 | 9,3 | SES516-613-L |
| EDH613 | EFS613 | ETS613 | 134 | EDV613 | 120 | ETC613 | 180 | EDK516-613 | 9,3 | SES516-613-L |
| EDH613 | EFS613 | ETS613 | 134 | EDV613 | 120 | ETC613 | 180 | EDK516-613 | 9,3 | SES516-613-L |
| EDH613 | EFS613 | ETS613 | 134 | EDV613 | 120 | ETC613 | 180 | EDK516-613 | 9,3 | SES516-613-L |

Plummer block housings

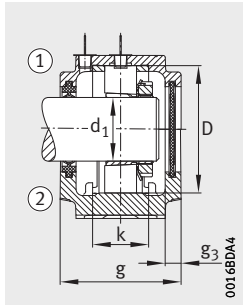
SES, split
For bearings with tapered bore and adapter sleeve
Inch size shaft



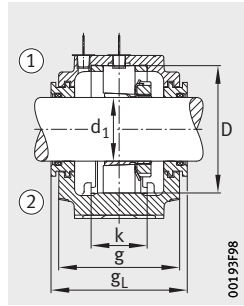
Dimension table (continued) - Dimensions in mm

| Shaft | | Housing Dimensions | | | | | | | | | | | | Bearing and accessories | | | |
|-------|--------|--------------------|----------------|-----|-----|----|-----|-----|----|----|-----|-----|----|-------------------------|-----------|----------------|---------------------------|
| | | h | h ₁ | g | b | c | a | m | v | u | s | D | k | g ₃ | Bearing | Adapter sleeve | Locating ring 2 pieces |
| inch | mm | | | | | | | | | | | | | | | | |
| 27/16 | 61,913 | 80 | 156 | 115 | 80 | 30 | 280 | 230 | 24 | 18 | M16 | 130 | 56 | 13 | 1215-K | H215X207 | FRM130/15,5 |
| 27/16 | 61,913 | 100 | 194 | 140 | 100 | 35 | 345 | 290 | 28 | 22 | M20 | 160 | 65 | 13 | 1315-K | H315X207 | FRM160/14 |
| 27/16 | 61,913 | 80 | 156 | 115 | 80 | 30 | 280 | 230 | 24 | 18 | M16 | 130 | 56 | 13 | 20215-K | H215X207 | FRM130/15,5 |
| 27/16 | 61,913 | 100 | 194 | 140 | 100 | 35 | 345 | 290 | 28 | 22 | M20 | 160 | 65 | 13 | 20315-K | H315X207 | FRM160/14 |
| 27/16 | 61,913 | 100 | 194 | 140 | 100 | 35 | 345 | 290 | 28 | 22 | M20 | 160 | 65 | 13 | 21315...K | H315X207 | FRM160/14 |
| 27/16 | 61,913 | 80 | 156 | 115 | 80 | 30 | 280 | 230 | 24 | 18 | M16 | 130 | 56 | 13 | 2215-K | H315X207 | FRM130/12,5 |
| 27/16 | 61,913 | 80 | 156 | 115 | 80 | 30 | 280 | 230 | 24 | 18 | M16 | 130 | 56 | 13 | 22215...K | H315X207 | FRM130/12,5 |
| 27/16 | 61,913 | 80 | 156 | 115 | 80 | 30 | 280 | 230 | 24 | 18 | M16 | 130 | 56 | 13 | 222S.207 | – | FRM130/12,5 |
| 27/16 | 61,913 | 100 | 194 | 140 | 100 | 35 | 345 | 290 | 28 | 22 | M20 | 160 | 65 | 13 | 22315...K | H2315X207 | FRM160/5 |
| 27/16 | 61,913 | 100 | 194 | 140 | 100 | 35 | 345 | 290 | 28 | 22 | M20 | 160 | 65 | 13 | 2315-K | H2315X207 | FRM160/5 |
| 2 1/2 | 63,5 | 80 | 156 | 115 | 80 | 30 | 280 | 230 | 24 | 18 | M16 | 130 | 56 | 13 | 1215-K | H215X208 | FRM130/15,5 |
| 2 1/2 | 63,5 | 100 | 194 | 140 | 100 | 35 | 345 | 290 | 28 | 22 | M20 | 160 | 65 | 13 | 1315-K | H315X208 | FRM160/14 |
| 2 1/2 | 63,5 | 80 | 156 | 115 | 80 | 30 | 280 | 230 | 24 | 18 | M16 | 130 | 56 | 13 | 20215-K | H215X208 | FRM130/15,5 |
| 2 1/2 | 63,5 | 100 | 194 | 140 | 100 | 35 | 345 | 290 | 28 | 22 | M20 | 160 | 65 | 13 | 20315-K | H315X208 | FRM160/14 |
| 2 1/2 | 63,5 | 100 | 194 | 140 | 100 | 35 | 345 | 290 | 28 | 22 | M20 | 160 | 65 | 13 | 21315...K | H315X208 | FRM160/14 |
| 2 1/2 | 63,5 | 80 | 156 | 115 | 80 | 30 | 280 | 230 | 24 | 18 | M16 | 130 | 56 | 13 | 2215-K | H315X208 | FRM130/12,5 |
| 2 1/2 | 63,5 | 80 | 156 | 115 | 80 | 30 | 280 | 230 | 24 | 18 | M16 | 130 | 56 | 13 | 22215...K | H315X208 | FRM130/12,5 |
| 2 1/2 | 63,5 | 80 | 156 | 115 | 80 | 30 | 280 | 230 | 24 | 18 | M16 | 130 | 56 | 13 | 222S.208 | – | FRM130/12,5 |
| 2 1/2 | 63,5 | 100 | 194 | 140 | 100 | 35 | 345 | 290 | 28 | 22 | M20 | 160 | 65 | 13 | 22315...K | H2315X208 | FRM160/5 |
| 2 1/2 | 63,5 | 100 | 194 | 140 | 100 | 35 | 345 | 290 | 28 | 22 | M20 | 160 | 65 | 13 | 2315-K | H2315X208 | FRM160/5 |
| 2 5/8 | 66,675 | 100 | 194 | 140 | 100 | 35 | 345 | 290 | 28 | 22 | M20 | 160 | 65 | 13 | 1315-K | H315X210 | FRM160/14 |
| 2 5/8 | 66,675 | 100 | 194 | 140 | 100 | 35 | 345 | 290 | 28 | 22 | M20 | 160 | 65 | 13 | 20315-K | H315X210 | FRM160/14 |
| 2 5/8 | 66,675 | 100 | 194 | 140 | 100 | 35 | 345 | 290 | 28 | 22 | M20 | 160 | 65 | 13 | 21315...K | H315X210 | FRM160/14 |
| 2 5/8 | 66,675 | 100 | 194 | 140 | 100 | 35 | 345 | 290 | 28 | 22 | M20 | 160 | 65 | 13 | 22315...K | H2315X210 | FRM160/5 |
| 2 5/8 | 66,675 | 100 | 194 | 140 | 100 | 35 | 345 | 290 | 28 | 22 | M20 | 160 | 65 | 13 | 2315-K | H2315X210 | FRM160/5 |

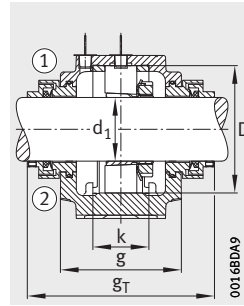
① Locating bearing. ② Non-locating bearing.



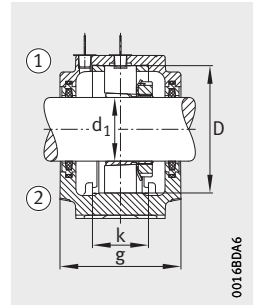
Double lip seal EDH
Cover EDK



Labyrinth seal ETS



Taconite seal ETC

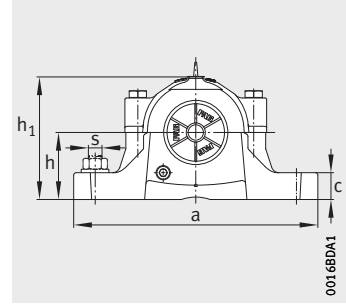
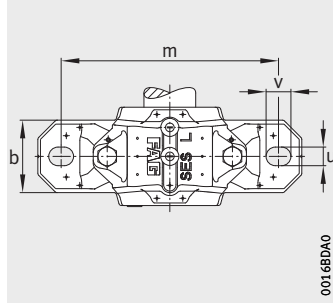


Felt seal EFS

| | | | | | | | | Housing | | |
|-----------------|------------|----------------|----------|-------------|----------|---------------|----------|------------|-------------------|--------------|
| Double lip seal | Felt seal | Labyrinth seal | | V ring seal | | Taconite seal | | Cover | Mass m ≈ kg | Designation |
| | | | gL mm | | gv mm | | gT mm | | | |
| EDH515X207 | EFS515X207 | ETS515X207 | 127 | EDV515X207 | 115 | ETC515X207 | 175 | EDK515-612 | 7 | SES515-612-L |
| EDH615X207 | EFS615X207 | ETS615X207 | 154 | EDV615X207 | 140 | ETC615X207 | 200 | EDK518-615 | 12,9 | SES518-615-L |
| EDH515X207 | EFS515X207 | ETS515X207 | 127 | EDV515X207 | 115 | ETC515X207 | 175 | EDK515-612 | 7 | SES515-612-L |
| EDH615X207 | EFS615X207 | ETS615X207 | 154 | EDV615X207 | 140 | ETC615X207 | 200 | EDK518-615 | 12,9 | SES518-615-L |
| EDH615X207 | EFS615X207 | ETS615X207 | 154 | EDV615X207 | 140 | ETC615X207 | 200 | EDK518-615 | 12,9 | SES518-615-L |
| EDH515X207 | EFS515X207 | ETS515X207 | 127 | EDV515X207 | 115 | ETC515X207 | 175 | EDK515-612 | 7 | SES515-612-L |
| EDH515X207 | EFS515X207 | ETS515X207 | 127 | EDV515X207 | 115 | ETC515X207 | 175 | EDK515-612 | 7 | SES515-612-L |
| EDH515X207 | EFS515X207 | ETS515X207 | 127 | EDV515X207 | 115 | ETC515X207 | 175 | EDK515-612 | 7 | SES515-612-L |
| EDH615X207 | EFS615X207 | ETS615X207 | 154 | EDV615X207 | 140 | ETC615X207 | 200 | EDK518-615 | 12,9 | SES518-615-L |
| EDH615X207 | EFS615X207 | ETS615X207 | 154 | EDV615X207 | 140 | ETC615X207 | 200 | EDK518-615 | 12,9 | SES518-615-L |
| EDH515X207 | EFS515X208 | ETS515X208 | 127 | EDV515X208 | 115 | ETC515X208 | 175 | EDK515-612 | 7 | SES515-612-L |
| EDH615X207 | EFS615X208 | ETS615X208 | 154 | EDV615X208 | 140 | ETC615X208 | 200 | EDK518-615 | 12,9 | SES518-615-L |
| EDH515X207 | EFS515X208 | ETS515X208 | 127 | EDV515X208 | 115 | ETC515X208 | 175 | EDK515-612 | 7 | SES515-612-L |
| EDH615X207 | EFS615X208 | ETS615X208 | 154 | EDV615X208 | 140 | ETC615X208 | 200 | EDK518-615 | 12,9 | SES518-615-L |
| EDH615X207 | EFS615X208 | ETS615X208 | 154 | EDV615X208 | 140 | ETC615X208 | 200 | EDK518-615 | 12,9 | SES518-615-L |
| EDH515X207 | EFS515X208 | ETS515X208 | 127 | EDV515X208 | 115 | ETC515X208 | 175 | EDK515-612 | 7 | SES515-612-L |
| EDH515X207 | EFS515X208 | ETS515X208 | 127 | EDV515X208 | 115 | ETC515X208 | 175 | EDK515-612 | 7 | SES515-612-L |
| EDH515X207 | EFS515X208 | ETS515X208 | 127 | EDV515X208 | 115 | ETC515X208 | 175 | EDK515-612 | 7 | SES515-612-L |
| EDH615X207 | EFS615X208 | ETS615X208 | 154 | EDV615X208 | 140 | ETC615X208 | 200 | EDK518-615 | 12,9 | SES518-615-L |
| EDH615X207 | EFS615X208 | ETS615X208 | 154 | EDV615X208 | 140 | ETC615X208 | 200 | EDK518-615 | 12,9 | SES518-615-L |
| EDH615 | EFS615X210 | ETS615X210 | 154 | EDV615X210 | 140 | ETC615X210 | 200 | EDK518-615 | 12,9 | SES518-615-L |
| EDH615 | EFS615X210 | ETS615X210 | 154 | EDV615X210 | 140 | ETC615X210 | 200 | EDK518-615 | 12,9 | SES518-615-L |
| EDH615 | EFS615X210 | ETS615X210 | 154 | EDV615X210 | 140 | ETC615X210 | 200 | EDK518-615 | 12,9 | SES518-615-L |
| EDH615 | EFS615X210 | ETS615X210 | 154 | EDV615X210 | 140 | ETC615X210 | 200 | EDK518-615 | 12,9 | SES518-615-L |
| EDH615 | EFS615X210 | ETS615X210 | 154 | EDV615X210 | 140 | ETC615X210 | 200 | EDK518-615 | 12,9 | SES518-615-L |

Plummer block housings

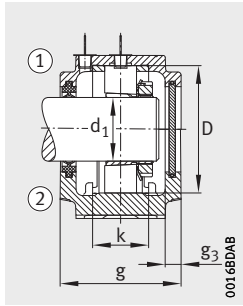
SES, split
For bearings with tapered bore and adapter sleeve
Inch size shaft



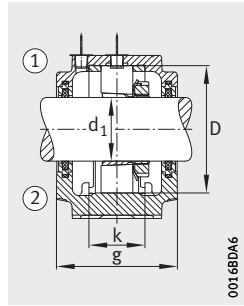
Dimension table (continued) · Dimensions in mm

| Shaft d ₁ | | Housing Dimensions | | | | | | | | | | | | | Bearing and accessories | | |
|---------------------------------|--------|--------------------|----------------|-----|-----|----|-----|-----|----|----|-----|-----|----|----------------|-------------------------|----------------|---------------------------|
| | | h | h ₁ | g | b | c | a | m | v | u | s | D | k | g ₃ | Bearing | Adapter sleeve | Locating ring 2 pieces |
| inch | mm | | | | | | | | | | | | | | | | |
| 2 ¹¹ / ₁₆ | 68,263 | 95 | 177 | 120 | 90 | 32 | 315 | 260 | 28 | 22 | M20 | 140 | 58 | 13 | 1216-K | H216X211 | FRM140/16 |
| 2 ¹¹ / ₁₆ | 68,263 | 112 | 212 | 145 | 100 | 35 | 345 | 290 | 28 | 22 | M20 | 170 | 68 | 14 | 1316-K | H316X211 | FRM170/14,5 |
| 2 ¹¹ / ₁₆ | 68,263 | 95 | 177 | 120 | 90 | 32 | 315 | 260 | 28 | 22 | M20 | 140 | 58 | 13 | 20216-K | H216X211 | FRM140/16 |
| 2 ¹¹ / ₁₆ | 68,263 | 112 | 212 | 145 | 100 | 35 | 345 | 290 | 28 | 22 | M20 | 170 | 68 | 14 | 20316-K | H316X211 | FRM170/14,5 |
| 2 ¹¹ / ₁₆ | 68,263 | 112 | 212 | 145 | 100 | 35 | 345 | 290 | 28 | 22 | M20 | 170 | 68 | 14 | 21316...K | H316X211 | FRM170/14,5 |
| 2 ¹¹ / ₁₆ | 68,263 | 95 | 177 | 120 | 90 | 32 | 315 | 260 | 28 | 22 | M20 | 140 | 58 | 13 | 2216-K | H316X211 | FRM140/12,5 |
| 2 ¹¹ / ₁₆ | 68,263 | 95 | 177 | 120 | 90 | 32 | 315 | 260 | 28 | 22 | M20 | 140 | 58 | 13 | 22216...K | H316X211 | FRM140/12,5 |
| 2 ¹¹ / ₁₆ | 68,263 | 95 | 177 | 120 | 90 | 32 | 315 | 260 | 28 | 22 | M20 | 140 | 58 | 13 | 222S.211 | – | FRM140/12,5 |
| 2 ¹¹ / ₁₆ | 68,263 | 112 | 212 | 145 | 100 | 35 | 345 | 290 | 28 | 22 | M20 | 170 | 68 | 14 | 22316...K | H2316X211 | FRM170/5 |
| 2 ¹¹ / ₁₆ | 68,263 | 112 | 212 | 145 | 100 | 35 | 345 | 290 | 28 | 22 | M20 | 170 | 68 | 14 | 2316-K | H2316X211 | FRM170/5 |
| 2 ³ / ₄ | 69,85 | 95 | 177 | 120 | 90 | 32 | 315 | 260 | 28 | 22 | M20 | 140 | 58 | 13 | 1216-K | H216X212 | FRM140/16 |
| 2 ³ / ₄ | 69,85 | 112 | 212 | 145 | 100 | 35 | 345 | 290 | 28 | 22 | M20 | 170 | 68 | 14 | 1316-K | H316X212 | FRM170/14,5 |
| 2 ³ / ₄ | 69,85 | 95 | 177 | 120 | 90 | 32 | 315 | 260 | 28 | 22 | M20 | 140 | 58 | 13 | 20216-K | H216X212 | FRM140/16 |
| 2 ³ / ₄ | 69,85 | 112 | 212 | 145 | 100 | 35 | 345 | 290 | 28 | 22 | M20 | 170 | 68 | 14 | 20316-K | H316X212 | FRM170/14,5 |
| 2 ³ / ₄ | 69,85 | 112 | 212 | 145 | 100 | 35 | 345 | 290 | 28 | 22 | M20 | 170 | 68 | 14 | 21316...K | H316X212 | FRM170/14,5 |
| 2 ³ / ₄ | 69,85 | 95 | 177 | 120 | 90 | 32 | 315 | 260 | 28 | 22 | M20 | 140 | 58 | 13 | 2216-K | H316X212 | FRM140/12,5 |
| 2 ³ / ₄ | 69,85 | 95 | 177 | 120 | 90 | 32 | 315 | 260 | 28 | 22 | M20 | 140 | 58 | 13 | 22216...K | H316X212 | FRM140/12,5 |
| 2 ³ / ₄ | 69,85 | 112 | 212 | 145 | 100 | 35 | 345 | 290 | 28 | 22 | M20 | 170 | 68 | 14 | 22316...K | H2316X212 | FRM170/5 |
| 2 ³ / ₄ | 69,85 | 112 | 212 | 145 | 100 | 35 | 345 | 290 | 28 | 22 | M20 | 170 | 68 | 14 | 2316-K | H2316X212 | FRM170/5 |
| 2 ⁷ / ₈ | 73,025 | 112 | 212 | 145 | 100 | 35 | 345 | 290 | 28 | 22 | M20 | 170 | 68 | 14 | 1316-K | H316X214 | FRM170/14,5 |
| 2 ⁷ / ₈ | 73,025 | 112 | 212 | 145 | 100 | 35 | 345 | 290 | 28 | 22 | M20 | 170 | 68 | 14 | 20316-K | H316X214 | FRM170/14,5 |
| 2 ⁷ / ₈ | 73,025 | 112 | 212 | 145 | 100 | 35 | 345 | 290 | 28 | 22 | M20 | 170 | 68 | 14 | 21316...K | H316X214 | FRM170/14,5 |
| 2 ⁷ / ₈ | 73,025 | 112 | 212 | 145 | 100 | 35 | 345 | 290 | 28 | 22 | M20 | 170 | 68 | 14 | 22316...K | H2316X214 | FRM170/5 |
| 2 ⁷ / ₈ | 73,025 | 112 | 212 | 145 | 100 | 35 | 345 | 290 | 28 | 22 | M20 | 170 | 68 | 14 | 2316-K | H2316X214 | FRM170/5 |

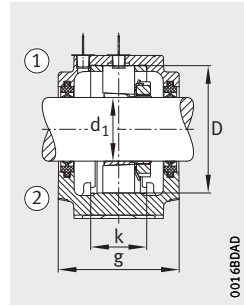
① Locating bearing. ② Non-locating bearing.



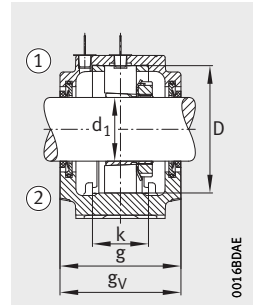
Double lip seal EDH
Cover EDKT



Felt seal EFS



Double lip seal EDH

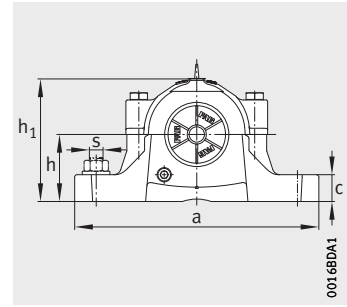
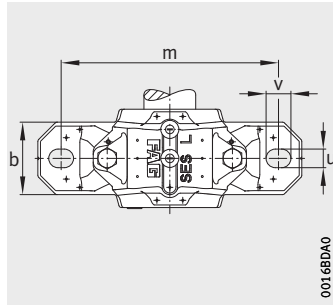


V ring seal EDH

| | | | | | | | | Housing | | |
|-----------------|------------|----------------|----------|-------------|----------|---------------|----------|------------|-------------------|---------------------|
| Double lip seal | Felt seal | Labyrinth seal | | V ring seal | | Taconite seal | | Cover | Mass m ≈ kg | Designation |
| | | | gL mm | | gv mm | | gr mm | | | |
| – | EFS516X211 | ETS516X211 | 134 | EDV516X211 | 120 | ETC516X211 | 205 | EDK516-613 | 9,3 | SES516-613-L |
| EDH616X211 | EFS616X211 | ETS616X211 | 161 | EDV616X211 | 145 | ETC616X211 | 205 | EDK519-616 | 13,8 | SES519-616-L |
| – | EFS516X211 | ETS516X211 | 134 | EDV516X211 | 120 | ETC516X211 | 205 | EDK516-613 | 9,3 | SES516-613-L |
| EDH616X211 | EFS616X211 | ETS616X211 | 161 | EDV616X211 | 145 | ETC616X211 | 205 | EDK519-616 | 13,8 | SES519-616-L |
| EDH616X211 | EFS616X211 | ETS616X211 | 161 | EDV616X211 | 145 | ETC616X211 | 205 | EDK519-616 | 13,8 | SES519-616-L |
| – | EFS516X211 | ETS516X211 | 134 | EDV516X211 | 120 | ETC516X211 | 205 | EDK516-613 | 9,3 | SES516-613-L |
| – | EFS516X211 | ETS516X211 | 134 | EDV516X211 | 120 | ETC516X211 | 205 | EDK516-613 | 9,3 | SES516-613-L |
| – | EFS516X211 | ETS516X211 | 134 | EDV516X211 | 120 | ETC516X211 | 205 | EDK516-613 | 9,3 | SES516-613-L |
| EDH616X211 | EFS616X211 | ETS616X211 | 161 | EDV616X211 | 145 | ETC616X211 | 205 | EDK519-616 | 13,8 | SES519-616-L |
| EDH616X211 | EFS616X211 | ETS616X211 | 161 | EDV616X211 | 145 | ETC616X211 | 205 | EDK519-616 | 13,8 | SES519-616-L |
| EDH516 | EFS516 | ETS516 | 134 | EDV516 | 120 | ETC516 | 205 | EDK516-613 | 9,3 | SES516-613-L |
| EDH616 | EFS616 | ETS616 | 161 | EDV616 | 145 | ETC616 | 205 | EDK519-616 | 13,8 | SES519-616-L |
| EDH516 | EFS516 | ETS516 | 134 | EDV516 | 120 | ETC516 | 205 | EDK516-613 | 9,3 | SES516-613-L |
| EDH616 | EFS616 | ETS616 | 161 | EDV616 | 145 | ETC616 | 205 | EDK519-616 | 13,8 | SES519-616-L |
| EDH616 | EFS616 | ETS616 | 161 | EDV616 | 145 | ETC616 | 205 | EDK519-616 | 13,8 | SES519-616-L |
| EDH516 | EFS516 | ETS516 | 134 | EDV516 | 120 | ETC516 | 205 | EDK516-613 | 9,3 | SES516-613-L |
| EDH516 | EFS516 | ETS516 | 134 | EDV516 | 120 | ETC516 | 205 | EDK516-613 | 9,3 | SES516-613-L |
| EDH616 | EFS616 | ETS616 | 161 | EDV616 | 145 | ETC616 | 205 | EDK519-616 | 13,8 | SES519-616-L |
| EDH616 | EFS616 | ETS616 | 161 | EDV616 | 145 | ETC616 | 205 | EDK519-616 | 13,8 | SES519-616-L |
| EDH616X214 | EFS616X214 | ETS616X214 | 161 | EDV616X214 | 145 | ETC616X214 | 205 | EDK519-616 | 13,8 | SES519-616-L |
| EDH616X214 | EFS616X214 | ETS616X214 | 161 | EDV616X214 | 145 | ETC616X214 | 205 | EDK519-616 | 13,8 | SES519-616-L |
| EDH616X214 | EFS616X214 | ETS616X214 | 161 | EDV616X214 | 145 | ETC616X214 | 205 | EDK519-616 | 13,8 | SES519-616-L |
| EDH616X214 | EFS616X214 | ETS616X214 | 161 | EDV616X214 | 145 | ETC616X214 | 205 | EDK519-616 | 13,8 | SES519-616-L |
| EDH616X214 | EFS616X214 | ETS616X214 | 161 | EDV616X214 | 145 | ETC616X214 | 205 | EDK519-616 | 13,8 | SES519-616-L |

Plummer block housings

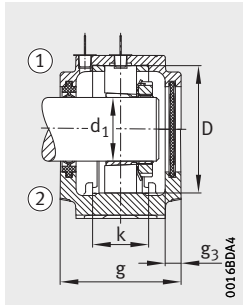
SES, split
For bearings with tapered bore and adapter sleeve
Inch size shaft



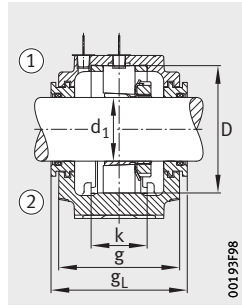
Dimension table (continued) - Dimensions in mm

| Shaft | | Housing Dimensions | | | | | | | | | | | | | Bearing and accessories | | |
|---------------------------------|--------|--------------------|----------------|-----|-----|----|-----|-----|----|----|-----|-----|----|----------------|-------------------------|----------------|---------------------------|
| | | h | h ₁ | g | b | c | a | m | v | u | s | D | k | g ₃ | Bearing | Adapter sleeve | Locating ring 2 pieces |
| inch | mm | | | | | | | | | | | | | | | | |
| 2 ¹⁵ / ₁₆ | 74,613 | 95 | 183 | 125 | 90 | 32 | 320 | 260 | 28 | 22 | M20 | 150 | 61 | 13 | 1217-K | H217X215 | FRM150/16,5 |
| 2 ¹⁵ / ₁₆ | 74,613 | 112 | 218 | 160 | 110 | 40 | 380 | 320 | 32 | 26 | M24 | 180 | 70 | 14 | 1317-K | H317X215 | FRM180/14,5 |
| 2 ¹⁵ / ₁₆ | 74,613 | 95 | 183 | 125 | 90 | 32 | 320 | 260 | 28 | 22 | M20 | 150 | 61 | 13 | 20217-K | H217X215 | FRM150/16,5 |
| 2 ¹⁵ / ₁₆ | 74,613 | 112 | 218 | 160 | 110 | 40 | 380 | 320 | 32 | 26 | M24 | 180 | 70 | 14 | 20317-K | H317X215 | FRM180/14,5 |
| 2 ¹⁵ / ₁₆ | 74,613 | 112 | 218 | 160 | 110 | 40 | 380 | 320 | 32 | 26 | M24 | 180 | 70 | 14 | 20317-K | H2317X215 | FRM180/5 |
| 2 ¹⁵ / ₁₆ | 74,613 | 112 | 218 | 160 | 110 | 40 | 380 | 320 | 32 | 26 | M24 | 180 | 70 | 14 | 21317...K | H317X215 | FRM180/14,5 |
| 2 ¹⁵ / ₁₆ | 74,613 | 95 | 183 | 125 | 90 | 32 | 320 | 260 | 28 | 22 | M20 | 150 | 61 | 13 | 2217-K | H317X215 | FRM150/12,5 |
| 2 ¹⁵ / ₁₆ | 74,613 | 95 | 183 | 125 | 90 | 32 | 320 | 260 | 28 | 22 | M20 | 150 | 61 | 13 | 22217...K | H317X215 | FRM150/12,5 |
| 2 ¹⁵ / ₁₆ | 74,613 | 95 | 183 | 125 | 90 | 32 | 320 | 260 | 28 | 22 | M20 | 150 | 61 | 13 | 222S.115 | - | FRM150/12,5 |
| 2 ¹⁵ / ₁₆ | 74,613 | 112 | 218 | 160 | 110 | 40 | 380 | 320 | 32 | 26 | M24 | 180 | 70 | 14 | 22317...K | H2317X215 | FRM180/5 |
| 2 ¹⁵ / ₁₆ | 74,613 | 112 | 218 | 160 | 110 | 40 | 380 | 320 | 32 | 26 | M24 | 180 | 70 | 14 | 2317-K | H2317X215 | FRM180/5 |
| 3 | 76,2 | 95 | 183 | 125 | 90 | 32 | 320 | 260 | 28 | 22 | M20 | 150 | 61 | 13 | 1217-K | H217X300 | FRM150/16,5 |
| 3 | 76,2 | 112 | 218 | 160 | 110 | 40 | 380 | 320 | 32 | 26 | M24 | 180 | 70 | 14 | 1317-K | H317X300 | FRM180/14,5 |
| 3 | 76,2 | 95 | 183 | 125 | 90 | 32 | 320 | 260 | 28 | 22 | M20 | 150 | 61 | 13 | 20217-K | H217X300 | FRM150/16,5 |
| 3 | 76,2 | 112 | 218 | 160 | 110 | 40 | 380 | 320 | 32 | 26 | M24 | 180 | 70 | 14 | 20317-K | H317X300 | FRM180/14,5 |
| 3 | 76,2 | 112 | 218 | 160 | 110 | 40 | 380 | 320 | 32 | 26 | M24 | 180 | 70 | 14 | 21317...K | H317X300 | FRM180/14,5 |
| 3 | 76,2 | 95 | 183 | 125 | 90 | 32 | 320 | 260 | 28 | 22 | M20 | 150 | 61 | 13 | 2217-K | H317X300 | FRM150/12,5 |
| 3 | 76,2 | 95 | 183 | 125 | 90 | 32 | 320 | 260 | 28 | 22 | M20 | 150 | 61 | 13 | 22217...K | H317X300 | FRM150/12,5 |
| 3 | 76,2 | 95 | 183 | 125 | 90 | 32 | 320 | 260 | 28 | 22 | M20 | 150 | 61 | 13 | 222S.300 | - | FRM150/12,5 |
| 3 | 76,2 | 112 | 218 | 160 | 110 | 40 | 380 | 320 | 32 | 26 | M24 | 180 | 70 | 14 | 22317...K | H2317X300 | FRM180/5 |
| 3 | 76,2 | 112 | 218 | 160 | 110 | 40 | 380 | 320 | 32 | 26 | M24 | 180 | 70 | 14 | 2317-K | H2317X300 | FRM180/5 |
| 3 ¹ / ₈ | 79,375 | 100 | 194 | 140 | 100 | 35 | 345 | 290 | 28 | 22 | M20 | 160 | 65 | 13 | 1218-K | H218X302 | FRM160/17,5 |
| 3 ¹ / ₈ | 79,375 | 112 | 229 | 155 | 110 | 40 | 380 | 320 | 32 | 26 | M24 | 190 | 74 | 15 | 1318-K | H318X302 | FRM190/15,5 |
| 3 ¹ / ₈ | 79,375 | 100 | 194 | 140 | 100 | 35 | 345 | 290 | 28 | 22 | M20 | 160 | 65 | 13 | 20218-K | H218X302 | FRM160/17,5 |
| 3 ¹ / ₈ | 79,375 | 112 | 229 | 155 | 110 | 40 | 380 | 320 | 32 | 26 | M24 | 190 | 74 | 15 | 20318-K | H318X302 | FRM190/15,5 |
| 3 ¹ / ₈ | 79,375 | 112 | 229 | 155 | 110 | 40 | 380 | 320 | 32 | 26 | M24 | 190 | 74 | 15 | 21318...K | H318X302 | FRM190/15,5 |
| 3 ¹ / ₈ | 79,375 | 100 | 194 | 140 | 100 | 35 | 345 | 290 | 28 | 22 | M20 | 160 | 65 | 13 | 2218-K | H318X302 | FRM160/12,5 |
| 3 ¹ / ₈ | 79,375 | 100 | 194 | 140 | 100 | 35 | 345 | 290 | 28 | 22 | M20 | 160 | 65 | 13 | 22218...K | H318X302 | FRM160/12,5 |
| 3 ¹ / ₈ | 79,375 | 112 | 229 | 155 | 110 | 40 | 380 | 320 | 32 | 26 | M24 | 190 | 74 | 15 | 22318...K | H2318X302 | FRM190/5 |
| 3 ¹ / ₈ | 79,375 | 112 | 229 | 155 | 110 | 40 | 380 | 320 | 32 | 26 | M24 | 190 | 74 | 15 | 2318-K | H2318X302 | FRM190/5 |
| 3 ¹ / ₈ | 79,375 | 100 | 194 | 140 | 100 | 35 | 345 | 290 | 28 | 22 | M20 | 160 | 65 | 13 | 23218...K | H2318X302 | FRM160/6,25 |

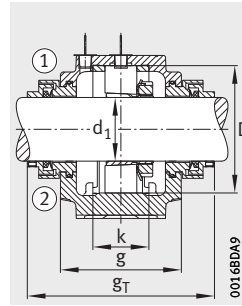
① Locating bearing. ② Non-locating bearing.



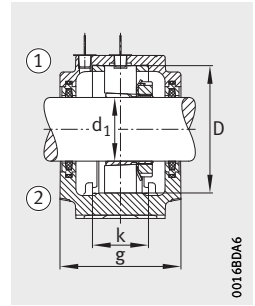
Double lip seal EDH
Cover EDK



Labyrinth seal ETS



Taconite seal ETC

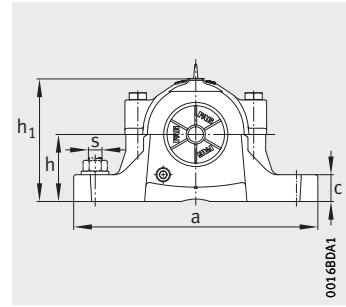
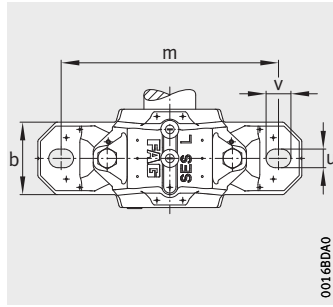


Felt seal EFS

| | | | | | | | | Housing | | |
|-----------------|------------|----------------|-------|-------------|-------|---------------|-------|------------|-------------|--------------|
| Double lip seal | Felt seal | Labyrinth seal | | V ring seal | | Taconite seal | | Cover | Mass m ≈ kg | Designation |
| | | | gL mm | | gV mm | | gT mm | | | |
| EDH517 | EFS517 | ETS517 | 139 | EDV517 | 125 | ETC517 | 210 | EDK517 | 9,8 | SES517-L |
| EDH617 | EFS617 | ETS617 | 176 | EDV617 | 160 | ETC617 | 220 | EDK520-617 | 17,1 | SES520-617-L |
| EDH517 | EFS517 | ETS517 | 139 | EDV517 | 125 | ETC517 | 210 | EDK517 | 9,8 | SES517-L |
| EDH617 | EFS617 | ETS617 | 176 | EDV617 | 160 | ETC617 | 220 | EDK520-617 | 17,1 | SES520-617-L |
| EDH617 | EFS617 | ETS617 | 176 | EDV617 | 160 | ETC617 | 220 | EDK520-617 | 17,1 | SES520-617-L |
| EDH617 | EFS617 | ETS617 | 176 | EDV617 | 160 | ETC617 | 220 | EDK520-617 | 17,1 | SES520-617-L |
| EDH517 | EFS517 | ETS517 | 139 | EDV517 | 125 | ETC517 | 210 | EDK517 | 9,8 | SES517-L |
| EDH517 | EFS517 | ETS517 | 139 | EDV517 | 125 | ETC517 | 210 | EDK517 | 9,8 | SES517-L |
| EDH517 | EFS517 | ETS517 | 139 | EDV517 | 125 | ETC517 | 210 | EDK517 | 9,8 | SES517-L |
| EDH617 | EFS617 | ETS617 | 176 | EDV617 | 160 | ETC617 | 220 | EDK520-617 | 17,1 | SES520-617-L |
| EDH617 | EFS617 | ETS617 | 176 | EDV617 | 160 | ETC617 | 220 | EDK520-617 | 17,1 | SES520-617-L |
| EDH517 | EFS517X300 | ETS517X300 | 139 | EDV517X300 | 125 | ETC517X300 | 210 | EDK517 | 9,8 | SES517-L |
| EDH617 | EFS617X300 | ETS617X300 | 176 | EDV617X300 | 160 | ETC617X300 | 220 | EDK520-617 | 17,1 | SES520-617-L |
| EDH517 | EFS517X300 | ETS517X300 | 139 | EDV517X300 | 125 | ETC517X300 | 210 | EDK517 | 9,8 | SES517-L |
| EDH617 | EFS617X300 | ETS617X300 | 176 | EDV617X300 | 160 | ETC617X300 | 220 | EDK520-617 | 17,1 | SES520-617-L |
| EDH617 | EFS617X300 | ETS617X300 | 176 | EDV617X300 | 160 | ETC617X300 | 220 | EDK520-617 | 17,1 | SES520-617-L |
| EDH517 | EFS517X300 | ETS517X300 | 139 | EDV517X300 | 125 | ETC517X300 | 210 | EDK517 | 9,8 | SES517-L |
| EDH517 | EFS517X300 | ETS517X300 | 139 | EDV517X300 | 125 | ETC517X300 | 210 | EDK517 | 9,8 | SES517-L |
| EDH517 | EFS517X300 | ETS517X300 | 139 | EDV517X300 | 125 | ETC517X300 | 210 | EDK517 | 9,8 | SES517-L |
| EDH617 | EFS617X300 | ETS617X300 | 176 | EDV617X300 | 160 | ETC617X300 | 220 | EDK520-617 | 17,1 | SES520-617-L |
| EDH617 | EFS617X300 | ETS617X300 | 176 | EDV617X300 | 160 | ETC617X300 | 220 | EDK520-617 | 17,1 | SES520-617-L |
| EDH518 | EFS518 | - | - | EDV518 | 140 | - | - | EDK518-615 | 12,9 | SES518-615-L |
| EDH618 | EFS618 | ETS618X302 | 170,3 | EDV618 | 163 | ETC618X302 | 196 | EDK218 | 19,1 | SES618-318-L |
| EDH518 | EFS518 | - | - | EDV518 | 140 | - | - | EDK518-615 | 12,9 | SES518-615-L |
| EDH618 | EFS618 | ETS618X302 | 170,3 | EDV618 | 163 | ETC618X302 | 196 | EDK218 | 19,1 | SES618-318-L |
| EDH618 | EFS618 | ETS618X302 | 170,3 | EDV618 | 163 | ETC618X302 | 196 | EDK218 | 19,1 | SES618-318-L |
| EDH518 | EFS518 | - | - | EDV518 | 140 | - | - | EDK518-615 | 12,9 | SES518-615-L |
| EDH518 | EFS518 | - | - | EDV518 | 140 | - | - | EDK518-615 | 12,9 | SES518-615-L |
| EDH618 | EFS618 | ETS618X302 | 170,3 | EDV618 | 163 | ETC618X302 | 196 | EDK218 | 19,1 | SES618-318-L |
| EDH618 | EFS618 | ETS618X302 | 170,3 | EDV618 | 163 | ETC618X302 | 196 | EDK218 | 19,1 | SES618-318-L |
| EDH518 | EFS518 | - | - | EDV518 | 140 | - | - | EDK518-615 | 12,9 | SES518-615-L |

Plummer block housings

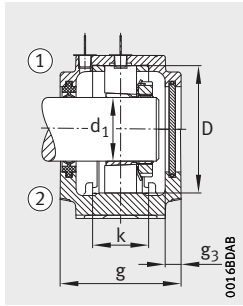
SES, split
For bearings with tapered bore and adapter sleeve
Inch size shaft



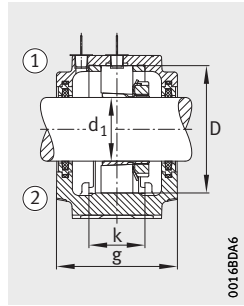
Dimension table (continued) - Dimensions in mm

| Shaft | | Housing Dimensions | | | | | | | | | | | | | Bearing and accessories | | | | |
|-------|--------|--------------------|----------------|-----|-----|----|-----|-----|----|----|-----|-----|----|----------------|-------------------------|----------------|---------------|--|--|
| | | h | h ₁ | g | b | c | a | m | v | u | s | D | k | g ₃ | Bearing | Adapter sleeve | Locating ring | | |
| inch | mm | | | | | | | | | | | | | | | | 2 pieces | | |
| 33/16 | 80,963 | 100 | 194 | 140 | 100 | 35 | 345 | 290 | 28 | 22 | M20 | 160 | 65 | 13 | 1218-K | H218X303 | FRM160/17,5 | | |
| 33/16 | 80,963 | 112 | 229 | 155 | 110 | 40 | 380 | 320 | 32 | 26 | M24 | 190 | 74 | 15 | 1318-K | H318X303 | FRM190/15,5 | | |
| 33/16 | 80,963 | 100 | 194 | 140 | 100 | 35 | 345 | 290 | 28 | 22 | M20 | 160 | 65 | 13 | 20218-K | H218X303 | FRM160/17,5 | | |
| 33/16 | 80,963 | 112 | 229 | 155 | 110 | 40 | 380 | 320 | 32 | 26 | M24 | 190 | 74 | 15 | 20318-K | H318X303 | FRM190/15,5 | | |
| 33/16 | 80,963 | 112 | 229 | 155 | 110 | 40 | 380 | 320 | 32 | 26 | M24 | 190 | 74 | 15 | 21318..-K | H318X303 | FRM190/15,5 | | |
| 33/16 | 80,963 | 100 | 194 | 140 | 100 | 35 | 345 | 290 | 28 | 22 | M20 | 160 | 65 | 13 | 2218-K | H318X303 | FRM160/12,5 | | |
| 33/16 | 80,963 | 100 | 194 | 140 | 100 | 35 | 345 | 290 | 28 | 22 | M20 | 160 | 65 | 13 | 22218..-K | H318X303 | FRM160/12,5 | | |
| 33/16 | 80,963 | 100 | 194 | 140 | 100 | 35 | 345 | 290 | 28 | 22 | M20 | 160 | 65 | 13 | 222S.303 | - | FRM160/12,5 | | |
| 33/16 | 80,963 | 112 | 229 | 155 | 110 | 40 | 380 | 320 | 32 | 26 | M24 | 190 | 74 | 15 | 22318..-K | H2318X303 | FRM190/5 | | |
| 33/16 | 80,963 | 112 | 229 | 155 | 110 | 40 | 380 | 320 | 32 | 26 | M24 | 190 | 74 | 15 | 2318-K | H2318X303 | FRM190/5 | | |
| 33/16 | 80,963 | 100 | 194 | 140 | 100 | 35 | 345 | 290 | 28 | 22 | M20 | 160 | 65 | 13 | 23218..-K | H2318X303 | FRM160/6,25 | | |
| 31/4 | 82,55 | 100 | 194 | 140 | 100 | 35 | 345 | 290 | 28 | 22 | M20 | 160 | 65 | 13 | 1218-K | H218X304 | FRM160/17,5 | | |
| 31/4 | 82,55 | 112 | 229 | 155 | 110 | 40 | 380 | 320 | 32 | 26 | M24 | 190 | 74 | 15 | 1318-K | H318X304 | FRM190/15,5 | | |
| 31/4 | 82,55 | 125 | 242 | 175 | 120 | 45 | 410 | 350 | 32 | 26 | M24 | 200 | 80 | 14 | 1319-K | H319X304 | FRM200/17,5 | | |
| 31/4 | 82,55 | 100 | 194 | 140 | 100 | 35 | 345 | 290 | 28 | 22 | M20 | 160 | 65 | 13 | 20218-K | H218X304 | FRM160/17,5 | | |
| 31/4 | 82,55 | 112 | 229 | 155 | 110 | 40 | 380 | 320 | 32 | 26 | M24 | 190 | 74 | 15 | 20318-K | H318X304 | FRM190/15,5 | | |
| 31/4 | 82,55 | 125 | 242 | 175 | 120 | 45 | 410 | 350 | 32 | 26 | M24 | 200 | 80 | 14 | 20319-K | H319X304 | FRM200/17,5 | | |
| 31/4 | 82,55 | 112 | 229 | 155 | 110 | 40 | 380 | 320 | 32 | 26 | M24 | 190 | 74 | 15 | 21318..-K | H318X304 | FRM190/15,5 | | |
| 31/4 | 82,55 | 125 | 242 | 175 | 120 | 45 | 410 | 350 | 32 | 26 | M24 | 200 | 80 | 14 | 21319..-K | H319X304 | FRM200/17,5 | | |
| 31/4 | 82,55 | 100 | 194 | 140 | 100 | 35 | 345 | 290 | 28 | 22 | M20 | 160 | 65 | 13 | 2218-K | H318X304 | FRM160/12,5 | | |
| 31/4 | 82,55 | 100 | 194 | 140 | 100 | 35 | 345 | 290 | 28 | 22 | M20 | 160 | 65 | 13 | 22218..-K | H318X304 | FRM160/12,5 | | |
| 31/4 | 82,55 | 100 | 194 | 140 | 100 | 35 | 345 | 290 | 28 | 22 | M20 | 160 | 65 | 13 | 222S.304 | - | FRM160/12,5 | | |
| 31/4 | 82,55 | 112 | 229 | 155 | 110 | 40 | 380 | 320 | 32 | 26 | M24 | 190 | 74 | 15 | 22318..-K | H2318X304 | FRM190/5 | | |
| 31/4 | 82,55 | 125 | 242 | 175 | 120 | 45 | 410 | 350 | 32 | 26 | M24 | 200 | 80 | 14 | 22319..-K | H2319X304 | FRM200/6,5 | | |
| 31/4 | 82,55 | 112 | 229 | 155 | 110 | 40 | 380 | 320 | 32 | 26 | M24 | 190 | 74 | 15 | 2318-K | H2318X304 | FRM190/5 | | |
| 31/4 | 82,55 | 125 | 242 | 175 | 120 | 45 | 410 | 350 | 32 | 26 | M24 | 200 | 80 | 14 | 2319-K | H2319X304 | FRM200/6,5 | | |
| 31/4 | 82,55 | 100 | 194 | 140 | 100 | 35 | 345 | 290 | 28 | 22 | M20 | 160 | 65 | 13 | 23218..-K | H2318X304 | FRM160/6,25 | | |

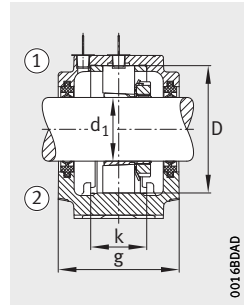
① Locating bearing. ② Non-locating bearing.



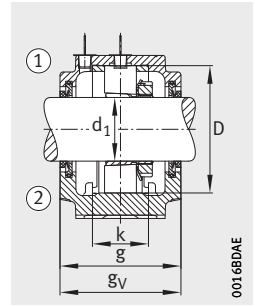
Double lip seal EDH
Cover EDKT



Felt seal EFS



Double lip seal EDH

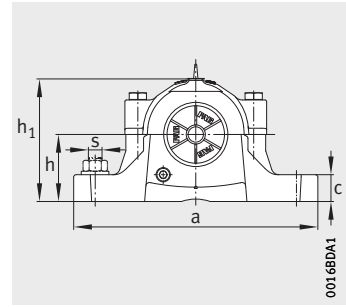
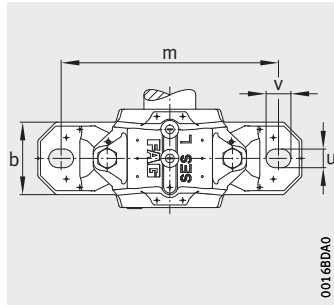


V ring seal EDH

| | | | | | | | | Housing | | |
|-----------------|------------|----------------|----------|-------------|----------|---------------|----------|------------|-------------------|---------------------|
| Double lip seal | Felt seal | Labyrinth seal | | V ring seal | | Taconite seal | | Cover | Mass m ≈ kg | Designation |
| | | | gL mm | | gv mm | | gT mm | | | |
| EDH518 | EFS518X303 | ETS518X303 | 154 | EDV518X303 | 140 | ETC518X303 | 225 | EDK518-615 | 12,9 | SES518-615-L |
| EDH618 | EFS618X303 | ETS618X303 | 170,3 | EDV618X303 | 163 | ETC618X303 | 196 | EDK218 | 19,1 | SES618-318-L |
| EDH518 | EFS518X303 | ETS518X303 | 154 | EDV518X303 | 140 | ETC518X303 | 225 | EDK518-615 | 12,9 | SES518-615-L |
| EDH618 | EFS618X303 | ETS618X303 | 170,3 | EDV618X303 | 163 | ETC618X303 | 196 | EDK218 | 19,1 | SES618-318-L |
| EDH618 | EFS618X303 | ETS618X303 | 170,3 | EDV618X303 | 163 | ETC618X303 | 196 | EDK218 | 19,1 | SES618-318-L |
| EDH518 | EFS518X303 | ETS518X303 | 154 | EDV518X303 | 140 | ETC518X303 | 225 | EDK518-615 | 12,9 | SES518-615-L |
| EDH518 | EFS518X303 | ETS518X303 | 154 | EDV518X303 | 140 | ETC518X303 | 225 | EDK518-615 | 12,9 | SES518-615-L |
| EDH518 | EFS518X303 | ETS518X303 | 154 | EDV518X303 | 140 | ETC518X303 | 225 | EDK518-615 | 12,9 | SES518-615-L |
| EDH618 | EFS618X303 | ETS618X303 | 170,3 | EDV618X303 | 163 | ETC618X303 | 196 | EDK218 | 19,1 | SES618-318-L |
| EDH618 | EFS618X303 | ETS618X303 | 170,3 | EDV618X303 | 163 | ETC618X303 | 196 | EDK218 | 19,1 | SES618-318-L |
| EDH518 | EFS518X303 | ETS518X303 | 154 | EDV518X303 | 140 | ETC518X303 | 225 | EDK518-615 | 12,9 | SES518-615-L |
| – | EFS518X304 | ETS518X304 | 154 | EDV518X304 | 140 | ETC518X304 | 225 | EDK518-615 | 12,9 | SES518-615-L |
| EDH618X304 | EFS618X304 | ETS618X304 | 170,3 | EDV618X304 | 163 | ETC618X304 | 196 | EDK218 | 19,1 | SES618-318-L |
| – | EFS619X304 | ETS619X304 | 191 | EDV619X304 | 175 | ETC619X304 | 235 | EDK522-619 | 22,8 | SES522-619-L |
| – | EFS518X304 | ETS518X304 | 154 | EDV518X304 | 140 | ETC518X304 | 225 | EDK518-615 | 12,9 | SES518-615-L |
| EDH618X304 | EFS618X304 | ETS618X304 | 170,3 | EDV618X304 | 163 | ETC618X304 | 196 | EDK218 | 19,1 | SES618-318-L |
| – | EFS619X304 | ETS619X304 | 191 | EDV619X304 | 175 | ETC619X304 | 235 | EDK522-619 | 22,8 | SES522-619-L |
| EDH618X304 | EFS618X304 | ETS618X304 | 170,3 | EDV618X304 | 163 | ETC618X304 | 196 | EDK218 | 19,1 | SES618-318-L |
| – | EFS619X304 | ETS619X304 | 191 | EDV619X304 | 175 | ETC619X304 | 235 | EDK522-619 | 22,8 | SES522-619-L |
| – | EFS518X304 | ETS518X304 | 154 | EDV518X304 | 140 | ETC518X304 | 225 | EDK518-615 | 12,9 | SES518-615-L |
| – | EFS518X304 | ETS518X304 | 154 | EDV518X304 | 140 | ETC518X304 | 225 | EDK518-615 | 12,9 | SES518-615-L |
| – | EFS518X304 | ETS518X304 | 154 | EDV518X304 | 140 | ETC518X304 | 225 | EDK518-615 | 12,9 | SES518-615-L |
| EDH618X304 | EFS618X304 | ETS618X304 | 170,3 | EDV618X304 | 163 | ETC618X304 | 196 | EDK218 | 19,1 | SES618-318-L |
| – | EFS619X304 | ETS619X304 | 191 | EDV619X304 | 175 | ETC619X304 | 235 | EDK522-619 | 22,8 | SES522-619-L |
| EDH618X304 | EFS618X304 | ETS618X304 | 170,3 | EDV618X304 | 163 | ETC618X304 | 196 | EDK218 | 19,1 | SES618-318-L |
| – | EFS619X304 | ETS619X304 | 191 | EDV619X304 | 175 | ETC619X304 | 235 | EDK522-619 | 22,8 | SES522-619-L |
| – | EFS518X304 | ETS518X304 | 154 | EDV518X304 | 140 | ETC518X304 | 225 | EDK518-615 | 12,9 | SES518-615-L |

Plummer block housings

SES, split
For bearings with tapered bore and adapter sleeve
Inch size shaft

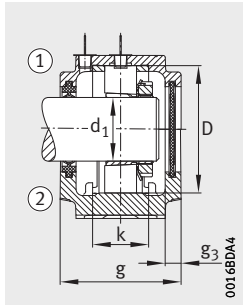


Dimension table (continued) · Dimensions in mm

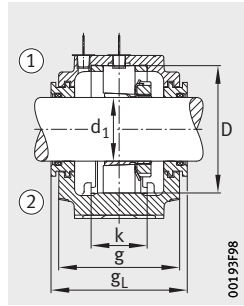
| Shaft | | Housing Dimensions | | | | | | | | | | | | | Bearing and accessories | | |
|-------|--------|--------------------|----------------|-----|-----|----|-----|-----|----|----|-----|-----|----|----------------|-------------------------|----------------|---------------------------|
| | | h | h ₁ | g | b | c | a | m | v | u | s | D | k | g ₃ | Bearing | Adapter sleeve | Locating ring 2 pieces |
| inch | mm | | | | | | | | | | | | | | | | |
| 33/8 | 85,725 | 112 | 212 | 145 | 100 | 35 | 345 | 290 | 28 | 22 | M20 | 170 | 68 | 14 | 1219-K | H219X306 | FRM170/18 |
| 33/8 | 85,725 | 125 | 242 | 175 | 120 | 45 | 410 | 350 | 32 | 26 | M24 | 200 | 80 | 14 | 1319-K | H319X306 | FRM200/17,5 |
| 33/8 | 85,725 | 112 | 212 | 145 | 100 | 35 | 345 | 290 | 28 | 22 | M20 | 170 | 68 | 14 | 20219-K | H219X306 | FRM170/18 |
| 33/8 | 85,725 | 125 | 242 | 175 | 120 | 45 | 410 | 350 | 32 | 26 | M24 | 200 | 80 | 14 | 20319-K | H319X306 | FRM200/17,5 |
| 33/8 | 85,725 | 125 | 242 | 175 | 120 | 45 | 410 | 350 | 32 | 26 | M24 | 200 | 80 | 14 | 21319...K | H319X306 | FRM200/17,5 |
| 33/8 | 85,725 | 112 | 212 | 145 | 100 | 35 | 345 | 290 | 28 | 22 | M20 | 170 | 68 | 14 | 2219-K | H319X306 | FRM170/12,5 |
| 33/8 | 85,725 | 112 | 212 | 145 | 100 | 35 | 345 | 290 | 28 | 22 | M20 | 170 | 68 | 14 | 22219...K | H319X306 | FRM170/12,5 |
| 33/8 | 85,725 | 125 | 242 | 175 | 120 | 45 | 410 | 350 | 32 | 26 | M24 | 200 | 80 | 14 | 22319...K | H2319X306 | FRM200/6,5 |
| 33/8 | 85,725 | 125 | 242 | 175 | 120 | 45 | 410 | 350 | 32 | 26 | M24 | 200 | 80 | 14 | 2319-K | H2319X306 | FRM200/6,5 |
| 37/16 | 87,313 | 112 | 218 | 160 | 110 | 40 | 380 | 320 | 32 | 26 | M24 | 180 | 70 | 14 | 1220-K | H220X307 | FRM180/18 |
| 37/16 | 87,313 | 140 | 271 | 185 | 120 | 45 | 410 | 350 | 32 | 26 | M24 | 215 | 86 | 15 | 1320-K | H320X307 | FRM215/19,5 |
| 37/16 | 87,313 | 112 | 218 | 160 | 110 | 40 | 380 | 320 | 32 | 26 | M24 | 180 | 70 | 14 | 20220-K | H220X307 | FRM180/18 |
| 37/16 | 87,313 | 140 | 271 | 185 | 120 | 45 | 410 | 350 | 32 | 26 | M24 | 215 | 86 | 15 | 20320-K | H320X307 | FRM215/19,5 |
| 37/16 | 87,313 | 140 | 271 | 185 | 120 | 45 | 410 | 350 | 32 | 26 | M24 | 215 | 86 | 15 | 21320...K | H320X307 | FRM215/19,5 |
| 37/16 | 87,313 | 112 | 218 | 160 | 110 | 40 | 380 | 320 | 32 | 26 | M24 | 180 | 70 | 14 | 2220-K | H320X307 | FRM180/12 |
| 37/16 | 87,313 | 112 | 218 | 160 | 110 | 40 | 380 | 320 | 32 | 26 | M24 | 180 | 70 | 14 | 22220...K | H320X307 | FRM180/12 |
| 37/16 | 87,313 | 112 | 218 | 160 | 110 | 40 | 380 | 320 | 32 | 26 | M24 | 180 | 70 | 14 | 2225.307 | – | FRM180/18 |
| 37/16 | 87,313 | 140 | 271 | 185 | 120 | 45 | 410 | 350 | 32 | 26 | M24 | 215 | 86 | 15 | 22320...K | H2320X307 | FRM215/6,5 |
| 37/16 | 87,313 | 140 | 271 | 185 | 120 | 45 | 410 | 350 | 32 | 26 | M24 | 215 | 86 | 15 | 2320-K | H2320X307 | FRM215/6,5 |
| 37/16 | 87,313 | 112 | 218 | 160 | 110 | 40 | 380 | 320 | 32 | 26 | M24 | 180 | 70 | 14 | 23220...K | H2320X307 | FRM180/4,85 |
| 31/2 | 88,9 | 112 | 218 | 160 | 110 | 40 | 380 | 320 | 32 | 26 | M24 | 180 | 70 | 14 | 1220-K | H220X308 | FRM180/18 |
| 31/2 | 88,9 | 140 | 271 | 185 | 120 | 45 | 410 | 350 | 32 | 26 | M24 | 215 | 86 | 15 | 1320-K | H320X308 | FRM215/19,5 |
| 31/2 | 88,9 | 112 | 218 | 160 | 110 | 40 | 380 | 320 | 32 | 26 | M24 | 180 | 70 | 14 | 20220-K | H220X308 | FRM180/18 |
| 31/2 | 88,9 | 140 | 271 | 185 | 120 | 45 | 410 | 350 | 32 | 26 | M24 | 215 | 86 | 15 | 20320-K | H320X308 | FRM215/19,5 |
| 31/2 | 88,9 | 140 | 271 | 185 | 120 | 45 | 410 | 350 | 32 | 26 | M24 | 215 | 86 | 15 | 21320...K | H320X308 | FRM215/19,5 |
| 31/2 | 88,9 | 112 | 218 | 160 | 110 | 40 | 380 | 320 | 32 | 26 | M24 | 180 | 70 | 14 | 2220-K | H320X308 | FRM180/12 |
| 31/2 | 88,9 | 112 | 218 | 160 | 110 | 40 | 380 | 320 | 32 | 26 | M24 | 180 | 70 | 14 | 22220...K | H320X308 | FRM180/12 |
| 31/2 | 88,9 | 112 | 218 | 160 | 110 | 40 | 380 | 320 | 32 | 26 | M24 | 180 | 70 | 14 | 2225.308 | – | FRM180/12 |
| 31/2 | 88,9 | 140 | 271 | 185 | 120 | 45 | 410 | 350 | 32 | 26 | M24 | 215 | 86 | 15 | 22320...K | H2320X308 | FRM215/6,5 |
| 31/2 | 88,9 | 140 | 271 | 185 | 120 | 45 | 410 | 350 | 32 | 26 | M24 | 215 | 86 | 15 | 2320-K | H2320X308 | FRM215/6,5 |
| 31/2 | 88,9 | 112 | 218 | 160 | 110 | 40 | 380 | 320 | 32 | 26 | M24 | 180 | 70 | 14 | 23220...K | H2320X308 | FRM180/4,85 |

① Locating bearing. ② Non-locating bearing.

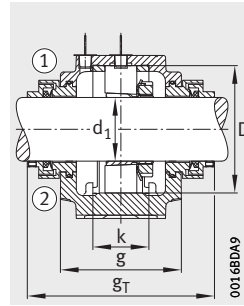
1) Housing with eye bolt.



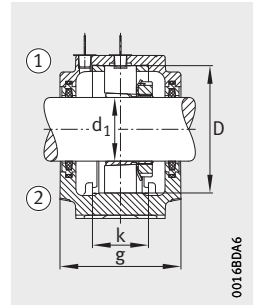
Double lip seal EDH
Cover EDK



Labyrinth seal ETS



Taconite seal ETC

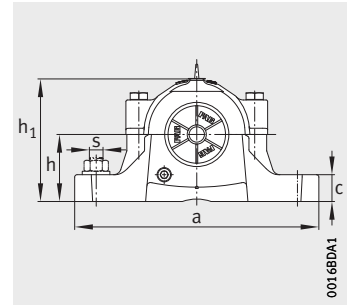
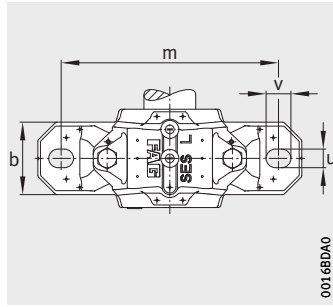


Felt seal EFS

| | | | | | | | | Housing | | |
|-----------------|------------|----------------|----------|-------------|----------|---------------|----------|------------|-------------------|----------------------------------|
| Double lip seal | Felt seal | Labyrinth seal | | V ring seal | | Taconite seal | | Cover | Mass m ≈ kg | Designation |
| | | | gL mm | | gv mm | | gT mm | | | |
| EDH519 | EFS519 | ETS519X306 | 161 | EDV519 | 145 | ETC519X306 | 220 | EDK519-616 | 13,8 | SES519-616-L |
| EDH619 | EFS619 | ETS619X306 | 191 | EDV619 | 175 | ETC619X306 | 235 | EDK522-619 | 22,8 | SES522-619-L |
| EDH519 | EFS519 | ETS519X306 | 161 | EDV519 | 145 | ETC519X306 | 220 | EDK519-616 | 13,8 | SES519-616-L |
| EDH619 | EFS619 | ETS619X306 | 191 | EDV619 | 175 | ETC619X306 | 235 | EDK522-619 | 22,8 | SES522-619-L |
| EDH619 | EFS619 | ETS619X306 | 191 | EDV619 | 175 | ETC619X306 | 235 | EDK522-619 | 22,8 | SES522-619-L |
| EDH519 | EFS519 | ETS519X306 | 161 | EDV519 | 145 | ETC519X306 | 220 | EDK519-616 | 13,8 | SES519-616-L |
| EDH519 | EFS519 | ETS519X306 | 161 | EDV519 | 145 | ETC519X306 | 220 | EDK519-616 | 13,8 | SES519-616-L |
| EDH619 | EFS619 | ETS619X306 | 191 | EDV619 | 175 | ETC619X306 | 235 | EDK522-619 | 22,8 | SES522-619-L |
| EDH619 | EFS619 | ETS619X306 | 191 | EDV619 | 175 | ETC619X306 | 235 | EDK522-619 | 22,8 | SES522-619-L |
| EDH520X307 | EFS520X307 | ETS520X307 | 176 | EDV520X307 | 160 | ETC520X307 | 230 | EDK520-617 | 17,1 | SES520-617-L |
| EDH620X307 | EFS620X307 | ETS620X307 | 199 | EDV620X307 | 185 | ETC620X307 | 240 | EDK524-620 | 26,2 | SES524-620-L¹⁾ |
| EDH520X307 | EFS520X307 | ETS520X307 | 176 | EDV520X307 | 160 | ETC520X307 | 230 | EDK520-617 | 17,1 | SES520-617-L |
| EDH620X307 | EFS620X307 | ETS620X307 | 199 | EDV620X307 | 185 | ETC620X307 | 240 | EDK524-620 | 26,2 | SES524-620-L¹⁾ |
| EDH620X307 | EFS620X307 | ETS620X307 | 199 | EDV620X307 | 185 | ETC620X307 | 240 | EDK524-620 | 26,2 | SES524-620-L¹⁾ |
| EDH520X307 | EFS520X307 | ETS520X307 | 176 | EDV520X307 | 160 | ETC520X307 | 230 | EDK520-617 | 17,1 | SES520-617-L |
| EDH520X307 | EFS520X307 | ETS520X307 | 176 | EDV520X307 | 160 | ETC520X307 | 230 | EDK520-617 | 17,1 | SES520-617-L |
| EDH520X307 | EFS520X307 | ETS520X307 | 176 | EDV520X307 | 160 | ETC520X307 | 230 | EDK520-617 | 17,1 | SES520-617-L |
| EDH620X307 | EFS620X307 | ETS620X307 | 199 | EDV620X307 | 185 | ETC620X307 | 240 | EDK524-620 | 26,2 | SES524-620-L¹⁾ |
| EDH620X307 | EFS620X307 | ETS620X307 | 199 | EDV620X307 | 185 | ETC620X307 | 240 | EDK524-620 | 26,2 | SES524-620-L¹⁾ |
| EDH520X307 | EFS520X307 | ETS520X307 | 176 | EDV520X307 | 160 | ETC520X307 | 230 | EDK520-617 | 17,1 | SES520-617-L |
| EDH520 | EFS520X308 | ETS520X308 | 176 | EDV520 | 160 | ETC520X308 | 230 | EDK520-617 | 17,1 | SES520-617-L |
| EDH620 | EFS620X308 | ETS620X308 | 199 | EDV620 | 185 | ETC620X308 | 240 | EDK524-620 | 26,2 | SES524-620-L¹⁾ |
| EDH520 | EFS520X308 | ETS520X308 | 176 | EDV520 | 160 | ETC520X308 | 230 | EDK520-617 | 17,1 | SES520-617-L |
| EDH620 | EFS620X308 | ETS620X308 | 199 | EDV620 | 185 | ETC620X308 | 240 | EDK524-620 | 26,2 | SES524-620-L¹⁾ |
| EDH620 | EFS620X308 | ETS620X308 | 199 | EDV620 | 185 | ETC620X308 | 240 | EDK524-620 | 26,2 | SES524-620-L¹⁾ |
| EDH520 | EFS520X308 | ETS520X308 | 176 | EDV520 | 160 | ETC520X308 | 230 | EDK520-617 | 17,1 | SES520-617-L |
| EDH520 | EFS520X308 | ETS520X308 | 176 | EDV520 | 160 | ETC520X308 | 230 | EDK520-617 | 17,1 | SES520-617-L |
| EDH520 | EFS520X308 | ETS520X308 | 176 | EDV520 | 160 | ETC520X308 | 230 | EDK520-617 | 17,1 | SES520-617-L |
| EDH620 | EFS620X308 | ETS620X308 | 199 | EDV620 | 185 | ETC620X308 | 240 | EDK524-620 | 26,2 | SES524-620-L¹⁾ |
| EDH620 | EFS620X308 | ETS620X308 | 199 | EDV620 | 185 | ETC620X308 | 240 | EDK524-620 | 26,2 | SES524-620-L¹⁾ |
| EDH520 | EFS520X308 | ETS520X308 | 176 | EDV520 | 160 | ETC520X308 | 230 | EDK520-617 | 17,1 | SES520-617-L |

Plummer block housings

SES, split
For bearings with tapered bore and adapter sleeve
Inch size shaft

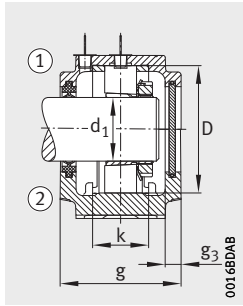


Dimension table (continued) - Dimensions in mm

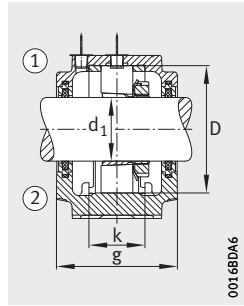
| Shaft | | Housing Dimensions | | | | | | | | | | | | | Bearing and accessories | | |
|--------|--------|--------------------|----------------|-----|-----|----|-----|-----|----|----|-----|-----|----|----------------|-------------------------|----------------|---------------------------|
| | | h | h ₁ | g | b | c | a | m | v | u | s | D | k | g ₃ | Bearing | Adapter sleeve | Locating ring 2 pieces |
| inch | mm | | | | | | | | | | | | | | | | |
| 35/8 | 92,075 | 112 | 218 | 160 | 110 | 40 | 380 | 320 | 32 | 26 | M24 | 180 | 70 | 14 | 1220-K | H220X310 | FRM180/18 |
| 35/8 | 92,075 | 140 | 271 | 185 | 120 | 45 | 410 | 350 | 32 | 26 | M24 | 215 | 86 | 15 | 1320-K | H320X310 | FRM215/19,5 |
| 35/8 | 92,075 | 112 | 218 | 160 | 110 | 40 | 380 | 320 | 32 | 26 | M24 | 180 | 70 | 14 | 20220-K | H220X310 | FRM180/18 |
| 35/8 | 92,075 | 140 | 271 | 185 | 120 | 45 | 410 | 350 | 32 | 26 | M24 | 215 | 86 | 15 | 20320-K | H320X310 | FRM215/19,5 |
| 35/8 | 92,075 | 140 | 271 | 185 | 120 | 45 | 410 | 350 | 32 | 26 | M24 | 215 | 86 | 15 | 21320..-K | H320X310 | FRM215/19,5 |
| 35/8 | 92,075 | 112 | 218 | 160 | 110 | 40 | 380 | 320 | 32 | 26 | M24 | 180 | 70 | 14 | 2220-K | H320X310 | FRM180/12 |
| 35/8 | 92,075 | 112 | 218 | 160 | 110 | 40 | 380 | 320 | 32 | 26 | M24 | 180 | 70 | 14 | 22220..-K | H320X310 | FRM180/12 |
| 35/8 | 92,075 | 140 | 271 | 185 | 120 | 45 | 410 | 350 | 32 | 26 | M24 | 215 | 86 | 15 | 22320..-K | H2320X310 | FRM215/6,5 |
| 35/8 | 92,075 | 140 | 271 | 185 | 120 | 45 | 410 | 350 | 32 | 26 | M24 | 215 | 86 | 15 | 2320-K | H2320X310 | FRM215/6,5 |
| 35/8 | 92,075 | 112 | 218 | 160 | 110 | 40 | 380 | 320 | 32 | 26 | M24 | 180 | 70 | 14 | 23220..-K | H2320X310 | FRM180/4,85 |
| 311/16 | 93,663 | 112 | 218 | 160 | 110 | 40 | 380 | 320 | 32 | 26 | M24 | 180 | 70 | 14 | 1220-K | H220X311 | FRM180/18 |
| 311/16 | 93,663 | 140 | 271 | 185 | 120 | 45 | 410 | 350 | 32 | 26 | M24 | 215 | 86 | 15 | 1320-K | H320X311 | FRM215/19,5 |
| 311/16 | 93,663 | 112 | 218 | 160 | 110 | 40 | 380 | 320 | 32 | 26 | M24 | 180 | 70 | 14 | 20220-K | H220X311 | FRM180/18 |
| 311/16 | 93,663 | 140 | 271 | 185 | 120 | 45 | 410 | 350 | 32 | 26 | M24 | 215 | 86 | 15 | 20320-K | H320X311 | FRM215/19,5 |
| 311/16 | 93,663 | 140 | 271 | 185 | 120 | 45 | 410 | 350 | 32 | 26 | M24 | 215 | 86 | 15 | 21320..-K | H320X311 | FRM215/19,5 |
| 311/16 | 93,663 | 112 | 218 | 160 | 110 | 40 | 380 | 320 | 32 | 26 | M24 | 180 | 70 | 14 | 2220-K | H320X311 | FRM180/12 |
| 311/16 | 93,663 | 112 | 218 | 160 | 110 | 40 | 380 | 320 | 32 | 26 | M24 | 180 | 70 | 14 | 22220..-K | H320X311 | FRM180/12 |
| 311/16 | 93,663 | 140 | 271 | 185 | 120 | 45 | 410 | 350 | 32 | 26 | M24 | 215 | 86 | 15 | 22320..-K | H2320X311 | FRM215/6,5 |
| 311/16 | 93,663 | 140 | 271 | 185 | 120 | 45 | 410 | 350 | 32 | 26 | M24 | 215 | 86 | 15 | 2320-K | H2320X311 | FRM215/6,5 |
| 311/16 | 93,663 | 112 | 218 | 160 | 110 | 40 | 380 | 320 | 32 | 26 | M24 | 180 | 70 | 14 | 23220..-K | H2320X311 | FRM180/4,85 |
| 33/4 | 95,25 | 125 | 242 | 175 | 120 | 45 | 410 | 350 | 32 | 26 | M24 | 200 | 80 | 14 | 1222-K | H222X312 | FRM200/21 |
| 33/4 | 95,25 | 150 | 298 | 185 | 130 | 50 | 450 | 390 | 35 | 28 | M24 | 240 | 90 | 18 | 1322-K | H322X312 | FRM240/20 |
| 33/4 | 95,25 | 125 | 242 | 175 | 120 | 45 | 410 | 350 | 32 | 26 | M24 | 200 | 80 | 14 | 20222-K | H222X312 | FRM200/21 |
| 33/4 | 95,25 | 150 | 298 | 185 | 130 | 50 | 450 | 390 | 35 | 28 | M24 | 240 | 90 | 18 | 21322..-K | H322X312 | FRM240/20 |
| 33/4 | 95,25 | 125 | 242 | 175 | 120 | 45 | 410 | 350 | 32 | 26 | M24 | 200 | 80 | 14 | 22222-K | H322X312 | FRM200/13,5 |
| 33/4 | 95,25 | 150 | 298 | 185 | 130 | 50 | 450 | 390 | 35 | 28 | M24 | 240 | 90 | 18 | 22322..-K | H2322X312 | FRM240/5 |
| 33/4 | 95,25 | 150 | 298 | 185 | 130 | 50 | 450 | 390 | 35 | 28 | M24 | 240 | 90 | 18 | 2322-K | H2322X312 | FRM240/5 |
| 33/4 | 95,25 | 125 | 242 | 175 | 120 | 45 | 410 | 350 | 32 | 26 | M24 | 200 | 80 | 14 | 23222-K | H2322X312 | FRM200/5,1 |

① Locating bearing. ② Non-locating bearing.

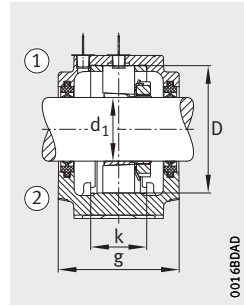
1) Housing with eye bolt.



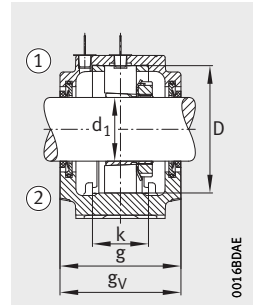
Double lip seal EDH
Cover EDKT



Felt seal EFS



Double lip seal EDH

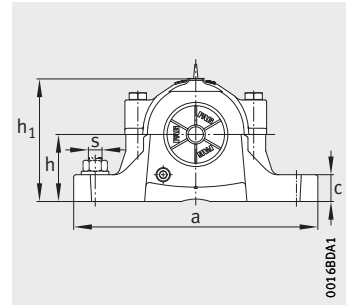
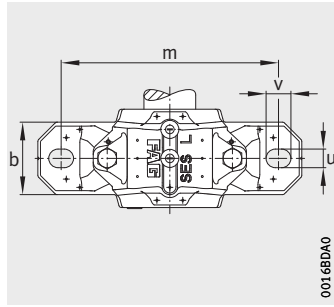


V ring seal EDH

| | | | | | | | | Housing | | |
|-----------------|------------|----------------|----------|-------------|----------|---------------|----------|------------|-------------------|----------------------------------|
| Double lip seal | Felt seal | Labyrinth seal | | V ring seal | | Taconite seal | | Cover | Mass m ≈ kg | Designation |
| | | | gL mm | | gv mm | | gT mm | | | |
| EDH520X310 | EFS520X310 | ETS520X310 | 176 | EDV520X310 | 160 | ETC520X310 | 230 | EDK520-617 | 17,1 | SES520-617-L |
| EDH620X310 | EFS620X310 | ETS620X310 | 199 | EDV620X310 | 185 | ETC620X310 | 240 | EDK524-620 | 26,2 | SES524-620-L¹⁾ |
| EDH520X310 | EFS520X310 | ETS520X310 | 176 | EDV520X310 | 160 | ETC520X310 | 230 | EDK520-617 | 17,1 | SES520-617-L |
| EDH620X310 | EFS620X310 | ETS620X310 | 199 | EDV620X310 | 185 | ETC620X310 | 240 | EDK524-620 | 26,2 | SES524-620-L¹⁾ |
| EDH620X310 | EFS620X310 | ETS620X310 | 199 | EDV620X310 | 185 | ETC620X310 | 240 | EDK524-620 | 26,2 | SES524-620-L¹⁾ |
| EDH520X310 | EFS520X310 | ETS520X310 | 176 | EDV520X310 | 160 | ETC520X310 | 230 | EDK520-617 | 17,1 | SES520-617-L |
| EDH520X310 | EFS520X310 | ETS520X310 | 176 | EDV520X310 | 160 | ETC520X310 | 230 | EDK520-617 | 17,1 | SES520-617-L |
| EDH620X310 | EFS620X310 | ETS620X310 | 199 | EDV620X310 | 185 | ETC620X310 | 240 | EDK524-620 | 26,2 | SES524-620-L¹⁾ |
| EDH620X310 | EFS620X310 | ETS620X310 | 199 | EDV620X310 | 185 | ETC620X310 | 240 | EDK524-620 | 26,2 | SES524-620-L¹⁾ |
| EDH520X310 | EFS520X310 | ETS520X310 | 176 | EDV520X310 | 160 | ETC520X310 | 230 | EDK520-617 | 17,1 | SES520-617-L |
| EDH520X310 | EFS520X311 | ETS520X311 | 176 | EDV520X311 | 160 | ETC520X311 | 230 | EDK520-617 | 17,1 | SES520-617-L |
| EDH620X310 | EFS620X311 | ETS620X311 | 199 | EDV620X311 | 185 | ETC620X311 | 240 | EDK524-620 | 26,2 | SES524-620-L¹⁾ |
| EDH520X310 | EFS520X311 | ETS520X311 | 176 | EDV520X311 | 160 | ETC520X311 | 230 | EDK520-617 | 17,1 | SES520-617-L |
| EDH620X310 | EFS620X311 | ETS620X311 | 199 | EDV620X311 | 185 | ETC620X311 | 240 | EDK524-620 | 26,2 | SES524-620-L¹⁾ |
| EDH620X310 | EFS620X311 | ETS620X311 | 199 | EDV620X311 | 185 | ETC620X311 | 240 | EDK524-620 | 26,2 | SES524-620-L¹⁾ |
| EDH520X310 | EFS520X311 | ETS520X311 | 176 | EDV520X311 | 160 | ETC520X311 | 230 | EDK520-617 | 17,1 | SES520-617-L |
| EDH520X310 | EFS520X311 | ETS520X311 | 176 | EDV520X311 | 160 | ETC520X311 | 230 | EDK520-617 | 17,1 | SES520-617-L |
| EDH620X310 | EFS620X311 | ETS620X311 | 199 | EDV620X311 | 185 | ETC620X311 | 240 | EDK524-620 | 26,2 | SES524-620-L¹⁾ |
| EDH620X310 | EFS620X311 | ETS620X311 | 199 | EDV620X311 | 185 | ETC620X311 | 240 | EDK524-620 | 26,2 | SES524-620-L¹⁾ |
| EDH520X310 | EFS520X311 | ETS520X311 | 176 | EDV520X311 | 160 | ETC520X311 | 230 | EDK520-617 | 17,1 | SES520-617-L |
| EDH522X312 | EFS522X312 | ETS522X312 | 191 | EDV522X312 | 175 | ETC522X312 | 250 | EDK522-619 | 22,8 | SES522-619-L |
| EDH522X312 | EFS522X312 | ETS522X312 | 196,5 | EDV522X312 | 180,5 | ETC522X312 | 255,5 | EDK522-619 | 36,1 | SES622-322-L¹⁾ |
| EDH522X312 | EFS522X312 | ETS522X312 | 191 | EDV522X312 | 175 | ETC522X312 | 250 | EDK522-619 | 22,8 | SES522-619-L |
| EDH522X312 | EFS522X312 | ETS522X312 | 196,5 | EDV522X312 | 180,5 | ETC522X312 | 255,5 | EDK522-619 | 36,1 | SES622-322-L¹⁾ |
| EDH522X312 | EFS522X312 | ETS522X312 | 191 | EDV522X312 | 175 | ETC522X312 | 250 | EDK522-619 | 22,8 | SES522-619-L |
| EDH522X312 | EFS522X312 | ETS522X312 | 196,5 | EDV522X312 | 180,5 | ETC522X312 | 255,5 | EDK522-619 | 36,1 | SES622-322-L¹⁾ |
| EDH522X312 | EFS522X312 | ETS522X312 | 196,5 | EDV522X312 | 180,5 | ETC522X312 | 255,5 | EDK522-619 | 36,1 | SES622-322-L¹⁾ |
| EDH522X312 | EFS522X312 | ETS522X312 | 191 | EDV522X312 | 175 | ETC522X312 | 250 | EDK522-619 | 22,8 | SES522-619-L |

Plummer block housings

SES, split
For bearings with tapered bore and adapter sleeve
Inch size shaft

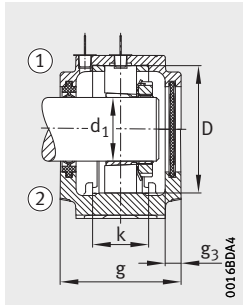


Dimension table (continued) - Dimensions in mm

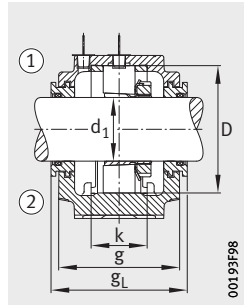
| Shaft | | Housing Dimensions | | | | | | | | | | | | | Bearing and accessories | | |
|--------|---------|--------------------|-----|----------------|-----|----|-----|-----|----|----|-----|-----|----|----|-------------------------|-----------|----------------|
| | | d ₁ | h | h ₁ | g | b | c | a | m | v | u | s | D | k | g ₃ | Bearing | Adapter sleeve |
| inch | mm | | | | | | | | | | | | | | | | |
| 37/8 | 98,425 | 125 | 242 | 175 | 120 | 45 | 410 | 350 | 32 | 26 | M24 | 200 | 80 | 14 | 1222-K | H222X314 | FRM200/21 |
| 37/8 | 98,425 | 150 | 298 | 185 | 130 | 50 | 450 | 390 | 35 | 28 | M24 | 240 | 90 | 18 | 1322-K | H322X314 | FRM240/20 |
| 37/8 | 98,425 | 125 | 242 | 175 | 120 | 45 | 410 | 350 | 32 | 26 | M24 | 200 | 80 | 14 | 20222-K | H222X314 | FRM200/21 |
| 37/8 | 98,425 | 150 | 298 | 185 | 130 | 50 | 450 | 390 | 35 | 28 | M24 | 240 | 90 | 18 | 21322...K | H322X314 | FRM240/20 |
| 37/8 | 98,425 | 125 | 242 | 175 | 120 | 45 | 410 | 350 | 32 | 26 | M24 | 200 | 80 | 14 | 22222-K | H322X314 | FRM200/13,5 |
| 37/8 | 98,425 | 150 | 298 | 185 | 130 | 50 | 450 | 390 | 35 | 28 | M24 | 240 | 90 | 18 | 22322...K | H2322X314 | FRM240/5 |
| 37/8 | 98,425 | 150 | 298 | 185 | 130 | 50 | 450 | 390 | 35 | 28 | M24 | 240 | 90 | 18 | 2322-K | H2322X314 | FRM240/5 |
| 37/8 | 98,425 | 125 | 242 | 175 | 120 | 45 | 410 | 350 | 32 | 26 | M24 | 200 | 80 | 14 | 23222-K | H2322X314 | FRM200/5,1 |
| 315/16 | 100,013 | 125 | 242 | 175 | 120 | 45 | 410 | 350 | 32 | 26 | M24 | 200 | 80 | 14 | 1222-K | H222X315 | FRM200/21 |
| 315/16 | 100,013 | 150 | 298 | 185 | 130 | 50 | 450 | 390 | 35 | 28 | M24 | 240 | 90 | 18 | 1322-K | H322X315 | FRM240/20 |
| 315/16 | 100,013 | 125 | 242 | 175 | 120 | 45 | 410 | 350 | 32 | 26 | M24 | 200 | 80 | 14 | 20222-K | H322X315 | FRM200/13,5 |
| 315/16 | 100,013 | 150 | 298 | 185 | 130 | 50 | 450 | 390 | 35 | 28 | M24 | 240 | 90 | 18 | 21322...K | H322X315 | FRM240/20 |
| 315/16 | 100,013 | 125 | 242 | 175 | 120 | 45 | 410 | 350 | 32 | 26 | M24 | 200 | 80 | 14 | 2222-K | H322X315 | FRM200/13,5 |
| 315/16 | 100,013 | 125 | 242 | 175 | 120 | 45 | 410 | 350 | 32 | 26 | M24 | 200 | 80 | 14 | 22222...K | H322X315 | FRM200/13,5 |
| 315/16 | 100,013 | 125 | 242 | 175 | 120 | 45 | 410 | 350 | 32 | 26 | M24 | 200 | 80 | 14 | 222S.315 | – | FRM200/13,5 |
| 315/16 | 100,013 | 150 | 298 | 185 | 130 | 50 | 450 | 390 | 35 | 28 | M24 | 240 | 90 | 18 | 22322...K | H2322X315 | FRM240/5 |
| 315/16 | 100,013 | 150 | 298 | 185 | 130 | 50 | 450 | 390 | 35 | 28 | M24 | 240 | 90 | 18 | 2322-K | H2322X315 | FRM240/5 |
| 315/16 | 100,013 | 125 | 242 | 175 | 120 | 45 | 410 | 350 | 32 | 26 | M24 | 200 | 80 | 14 | 23222...K | H2322X315 | FRM200/5,1 |
| 4 | 101,6 | 125 | 242 | 175 | 120 | 45 | 410 | 350 | 32 | 26 | M24 | 200 | 80 | 14 | 1222-K | H222X400 | FRM200/21 |
| 4 | 101,6 | 150 | 298 | 185 | 130 | 50 | 450 | 390 | 35 | 28 | M24 | 240 | 90 | 18 | 1322-K | H322X400 | FRM240/20 |
| 4 | 101,6 | 125 | 242 | 175 | 120 | 45 | 410 | 350 | 32 | 26 | M24 | 200 | 80 | 14 | 20222-K | H322X400 | FRM200/13,5 |
| 4 | 101,6 | 150 | 298 | 185 | 130 | 50 | 450 | 390 | 35 | 28 | M24 | 240 | 90 | 18 | 21322...K | H322X400 | FRM240/20 |
| 4 | 101,6 | 125 | 242 | 175 | 120 | 45 | 410 | 350 | 32 | 26 | M24 | 200 | 80 | 14 | 2222-K | H322X400 | FRM200/13,5 |
| 4 | 101,6 | 125 | 242 | 175 | 120 | 45 | 410 | 350 | 32 | 26 | M24 | 200 | 80 | 14 | 22222...K | H322X400 | FRM200/13,5 |
| 4 | 101,6 | 125 | 242 | 175 | 120 | 45 | 410 | 350 | 32 | 26 | M24 | 200 | 80 | 14 | 222S.400 | – | FRM200/13,5 |
| 4 | 101,6 | 150 | 298 | 185 | 130 | 50 | 450 | 390 | 35 | 28 | M24 | 240 | 90 | 18 | 22322...K | H2322X400 | FRM240/5 |
| 4 | 101,6 | 150 | 298 | 185 | 130 | 50 | 450 | 390 | 35 | 28 | M24 | 240 | 90 | 18 | 2322-K | H2322X400 | FRM240/5 |
| 4 | 101,6 | 125 | 242 | 175 | 120 | 45 | 410 | 350 | 32 | 26 | M24 | 200 | 80 | 14 | 23222...K | H2322X400 | FRM200/5,1 |

① Locating bearing. ② Non-locating bearing.

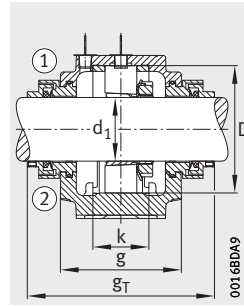
1) Housing with eye bolt.



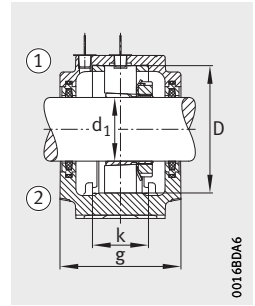
Double lip seal EDH
Cover EDK



Labyrinth seal ETS



Taconite seal ETC

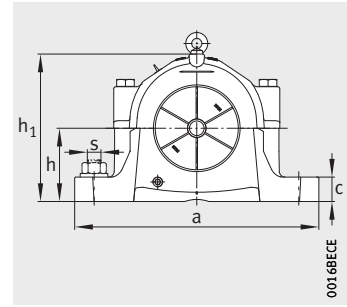
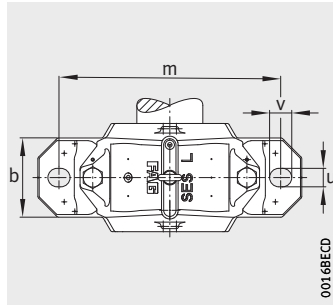


Felt seal EFS

| | | | | | | | | | Housing | |
|-----------------|------------|----------------|----------|-------------|----------|---------------|----------|------------|-------------------|----------------------------------|
| Double lip seal | Felt seal | Labyrinth seal | | V ring seal | | Taconite seal | | Cover | Mass m ≈ kg | Designation |
| | | | gL mm | | gV mm | | gT mm | | | |
| EDH522X314 | EFS522X314 | ETS522X314 | 191 | EDV522X314 | 175 | ETC522X314 | 250 | EDK522-619 | 22,8 | SES522-619-L |
| EDH522X314 | EFS522X314 | ETS522X314 | 196,5 | EDV522X314 | 180,5 | ETC522X314 | 255,5 | EDK522-619 | 36,1 | SES622-322-L¹⁾ |
| EDH522X314 | EFS522X314 | ETS522X314 | 191 | EDV522X314 | 175 | ETC522X314 | 250 | EDK522-619 | 22,8 | SES522-619-L |
| EDH522X314 | EFS522X314 | ETS522X314 | 196,5 | EDV522X314 | 180,5 | ETC522X314 | 255,5 | EDK522-619 | 36,1 | SES622-322-L¹⁾ |
| EDH522X314 | EFS522X314 | ETS522X314 | 191 | EDV522X314 | 175 | ETC522X314 | 250 | EDK522-619 | 22,8 | SES522-619-L |
| EDH522X314 | EFS522X314 | ETS522X314 | 196,5 | EDV522X314 | 180,5 | ETC522X314 | 255,5 | EDK522-619 | 36,1 | SES622-322-L¹⁾ |
| EDH522X314 | EFS522X314 | ETS522X314 | 196,5 | EDV522X314 | 180,5 | ETC522X314 | 255,5 | EDK522-619 | 36,1 | SES622-322-L¹⁾ |
| EDH522X314 | EFS522X314 | ETS522X314 | 191 | EDV522X314 | 175 | ETC522X314 | 250 | EDK522-619 | 22,8 | SES522-619-L |
| EDH522-622 | EFS522-622 | ETS522-622 | 191 | EDV522-622 | 175 | ETC522-622 | 250 | EDK522-619 | 22,8 | SES522-619-L |
| EDH522-622 | EFS522-622 | ETS522-622 | 196,5 | EDV522-622 | 180,5 | ETC522-622 | 255,5 | EDK522-619 | 36,1 | SES622-322-L¹⁾ |
| EDH522-622 | EFS522-622 | ETS522-622 | 191 | EDV522-622 | 175 | ETC522-622 | 250 | EDK522-619 | 22,8 | SES522-619-L |
| EDH522-622 | EFS522-622 | ETS522-622 | 196,5 | EDV522-622 | 180,5 | ETC522-622 | 255,5 | EDK522-619 | 36,1 | SES622-322-L¹⁾ |
| EDH522-622 | EFS522-622 | ETS522-622 | 191 | EDV522-622 | 175 | ETC522-622 | 250 | EDK522-619 | 22,8 | SES522-619-L |
| EDH522-622 | EFS522-622 | ETS522-622 | 191 | EDV522-622 | 175 | ETC522-622 | 250 | EDK522-619 | 22,8 | SES522-619-L |
| EDH522-622 | EFS522-622 | ETS522-622 | 196,5 | EDV522-622 | 180,5 | ETC522-622 | 255,5 | EDK522-619 | 36,1 | SES622-322-L¹⁾ |
| EDH522-622 | EFS522-622 | ETS522-622 | 196,5 | EDV522-622 | 180,5 | ETC522-622 | 255,5 | EDK522-619 | 36,1 | SES622-322-L¹⁾ |
| EDH522-622 | EFS522-622 | ETS522-622 | 191 | EDV522-622 | 175 | ETC522-622 | 250 | EDK522-619 | 22,8 | SES522-619-L |
| EDH522-622 | EFS522X400 | ETS522X400 | 191 | EDV522X400 | 175 | ETC522X400 | 250 | EDK522-619 | 22,8 | SES522-619-L |
| EDH522-622 | EFS522X400 | ETS522X400 | 196,5 | EDV522X400 | 180,5 | ETC522X400 | 255,5 | EDK522-619 | 36,1 | SES622-322-L¹⁾ |
| EDH522-622 | EFS522X400 | ETS522X400 | 191 | EDV522X400 | 175 | ETC522X400 | 250 | EDK522-619 | 22,8 | SES522-619-L |
| EDH522-622 | EFS522X400 | ETS522X400 | 196,5 | EDV522X400 | 180,5 | ETC522X400 | 255,5 | EDK522-619 | 36,1 | SES622-322-L¹⁾ |
| EDH522-622 | EFS522X400 | ETS522X400 | 191 | EDV522X400 | 175 | ETC522X400 | 250 | EDK522-619 | 22,8 | SES522-619-L |
| EDH522-622 | EFS522X400 | ETS522X400 | 191 | EDV522X400 | 175 | ETC522X400 | 250 | EDK522-619 | 22,8 | SES522-619-L |
| EDH522-622 | EFS522X400 | ETS522X400 | 196,5 | EDV522X400 | 180,5 | ETC522X400 | 255,5 | EDK522-619 | 36,1 | SES622-322-L¹⁾ |
| EDH522-622 | EFS522X400 | ETS522X400 | 196,5 | EDV522X400 | 180,5 | ETC522X400 | 255,5 | EDK522-619 | 36,1 | SES622-322-L¹⁾ |
| EDH522-622 | EFS522X400 | ETS522X400 | 191 | EDV522X400 | 175 | ETC522X400 | 250 | EDK522-619 | 22,8 | SES522-619-L |

Plummer block housings

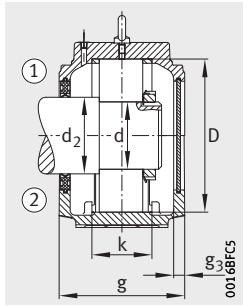
SES, split
For bearings with tapered bore and adapter sleeve
Inch size shaft



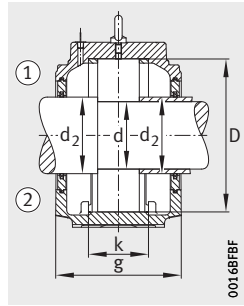
Dimension table (continued) - Dimensions in mm

| Shaft | | Housing Dimensions | | | | | | | | | | | | | Bearing and accessories | | | |
|--------------------------------|---------|--------------------|-----|----------------|-----|----|-----|-----|----|----|-----|-----|----|----|-------------------------|-----------|----------------|---------------------------|
| | | d ₁ | h | h ₁ | g | b | c | a | m | v | u | s | D | k | g ₃ | Bearing | Adapter sleeve | Locating ring 2 pieces |
| inch | mm | | | | | | | | | | | | | | | | | |
| 4 ³ / ₁₆ | 106,363 | 140 | 271 | 185 | 120 | 45 | 410 | 350 | 32 | 26 | M24 | 215 | 86 | 15 | 20224...K | H3024X403 | FRM215/23 | |
| 4 ³ / ₁₆ | 106,363 | 160 | 321 | 190 | 160 | 60 | 530 | 450 | 42 | 35 | M30 | 260 | 96 | 18 | 20324...K | H3124X403 | FRM260/20,5 | |
| 4 ³ / ₁₆ | 106,363 | 140 | 271 | 185 | 120 | 45 | 410 | 350 | 32 | 26 | M24 | 215 | 86 | 15 | 22224...K | H3124X403 | FRM215/14 | |
| 4 ³ / ₁₆ | 106,363 | 140 | 271 | 185 | 120 | 45 | 410 | 350 | 32 | 26 | M24 | 215 | 86 | 15 | 222S.403 | – | FRM215/14 | |
| 4 ³ / ₁₆ | 106,363 | 160 | 321 | 190 | 160 | 60 | 530 | 450 | 42 | 35 | M30 | 260 | 96 | 18 | 22324...K | H2324X403 | FRM260/5 | |
| 4 ³ / ₁₆ | 106,363 | 140 | 271 | 185 | 120 | 45 | 410 | 350 | 32 | 26 | M24 | 215 | 86 | 15 | 23224...K | H2324X403 | FRM215/5 | |
| 4 ¹ / ₄ | 107,95 | 140 | 271 | 185 | 120 | 45 | 410 | 350 | 32 | 26 | M24 | 215 | 86 | 15 | 20224...K | H3024X404 | FRM215/23 | |
| 4 ¹ / ₄ | 107,95 | 160 | 321 | 190 | 160 | 60 | 530 | 450 | 42 | 35 | M30 | 260 | 96 | 18 | 20324...K | H3124X404 | FRM260/20,5 | |
| 4 ¹ / ₄ | 107,95 | 140 | 271 | 185 | 120 | 45 | 410 | 350 | 32 | 26 | M24 | 215 | 86 | 15 | 22224...K | H3124X404 | FRM215/14 | |
| 4 ¹ / ₄ | 107,95 | 160 | 321 | 190 | 160 | 60 | 530 | 450 | 42 | 35 | M30 | 260 | 96 | 18 | 22324...K | H2324X404 | FRM260/5 | |
| 4 ¹ / ₄ | 107,95 | 140 | 271 | 185 | 120 | 45 | 410 | 350 | 32 | 26 | M24 | 215 | 86 | 15 | 23224...K | H2324X404 | FRM215/5 | |
| 4 ⁷ / ₁₆ | 112,713 | 150 | 290 | 190 | 130 | 50 | 445 | 380 | 35 | 28 | M24 | 230 | 90 | 15 | 20226...K | H3026X407 | FRM230/25 | |
| 4 ⁷ / ₁₆ | 112,713 | 150 | 290 | 190 | 130 | 50 | 445 | 380 | 35 | 28 | M24 | 230 | 90 | 15 | 22226...K | H3126X407 | FRM230/13 | |
| 4 ⁷ / ₁₆ | 112,713 | 150 | 290 | 190 | 130 | 50 | 445 | 380 | 35 | 28 | M24 | 230 | 90 | 15 | 222S.407 | – | FRM230/13 | |
| 4 ⁷ / ₁₆ | 112,713 | 150 | 290 | 190 | 130 | 50 | 445 | 380 | 35 | 28 | M24 | 230 | 90 | 15 | 23226...K | H2326X407 | FRM230/5 | |
| 4 ¹ / ₂ | 114,3 | 150 | 290 | 190 | 130 | 50 | 445 | 380 | 35 | 28 | M24 | 230 | 90 | 15 | 20226...K | H3026X408 | FRM230/25 | |
| 4 ¹ / ₂ | 114,3 | 150 | 290 | 190 | 130 | 50 | 445 | 380 | 35 | 28 | M24 | 230 | 90 | 15 | 22226...K | H3126X408 | FRM230/13 | |
| 4 ¹ / ₂ | 114,3 | 150 | 290 | 190 | 130 | 50 | 445 | 380 | 35 | 28 | M24 | 230 | 90 | 15 | 222S.408 | – | FRM230/13 | |
| 4 ¹ / ₂ | 114,3 | 150 | 290 | 190 | 130 | 50 | 445 | 380 | 35 | 28 | M24 | 230 | 90 | 15 | 23226...K | H2326X408 | FRM230/5 | |
| 4 ³ / ₄ | 120,65 | 150 | 290 | 190 | 130 | 50 | 445 | 380 | 35 | 28 | M24 | 230 | 90 | 15 | 20226...K | H3026X412 | FRM230/25 | |
| 4 ³ / ₄ | 120,65 | 150 | 290 | 190 | 130 | 50 | 445 | 380 | 35 | 28 | M24 | 230 | 90 | 15 | 22226...K | H3126X412 | FRM230/13 | |
| 4 ³ / ₄ | 120,65 | 150 | 290 | 190 | 130 | 50 | 445 | 380 | 35 | 28 | M24 | 230 | 90 | 15 | 23226...K | H2326X412 | FRM230/5 | |

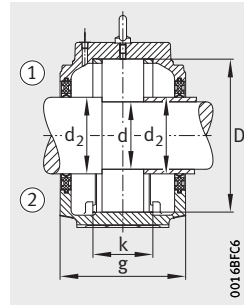
① Locating bearing. ② Non-locating bearing.



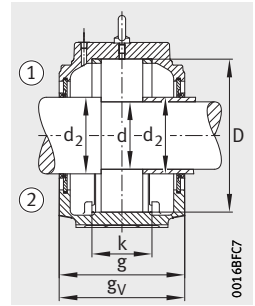
Double lip seal EDH
Cover EDKT



Felt seal EFS



Double lip seal EDH

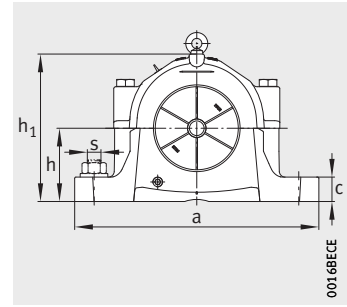
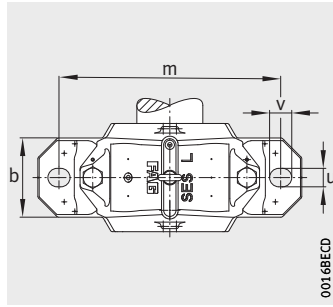


V ring seal EDH

| | | | | | | | | Housing | | |
|-----------------|------------|----------------|----------------------|-------------|----------------------|---------------|----------------------|------------|-------------------|--------------|
| Double lip seal | Felt seal | Labyrinth seal | | V ring seal | | Taconite seal | | Cover | Mass m ≈ kg | Designation |
| | | | g _L mm | | g _v mm | | g _T mm | | | |
| EDH524X403 | EFS524X403 | ETS524X403 | 199 | EDV524X403 | 185 | ETC524X403 | 260 | EDK524-620 | 26,2 | SES524-620-L |
| EDH524X403 | EFS524X403 | ETS524X403 | 201,5 | EDV524X403 | 185 | ETC524X403 | 262,5 | EDK524-620 | 47,5 | SES624-324-L |
| EDH524X403 | EFS524X403 | ETS524X403 | 199 | EDV524X403 | 185 | ETC524X403 | 260 | EDK524-620 | 26,2 | SES524-620-L |
| EDH524X403 | EFS524X403 | ETS524X403 | 199 | EDV524X403 | 185 | ETC524X403 | 260 | EDK524-620 | 26,2 | SES524-620-L |
| EDH524X403 | EFS524X403 | ETS524X403 | 201,5 | EDV524X403 | 185 | ETC524X403 | 262,5 | EDK524-620 | 47,5 | SES624-324-L |
| EDH524X403 | EFS524X403 | ETS524X403 | 199 | EDV524X403 | 185 | ETC524X403 | 260 | EDK524-620 | 26,2 | SES524-620-L |
| EDH524X403 | EFS524X404 | ETS524X404 | 199 | EDV524X404 | 185 | ETC524X404 | 260 | EDK524-620 | 26,2 | SES524-620-L |
| EDH524X403 | EFS524X404 | ETS524X404 | 201,5 | EDV524X404 | 185 | ETC524X404 | 262,5 | EDK524-620 | 47,5 | SES624-324-L |
| EDH524X403 | EFS524X404 | ETS524X404 | 199 | EDV524X404 | 185 | ETC524X404 | 260 | EDK524-620 | 26,2 | SES524-620-L |
| EDH524X403 | EFS524X404 | ETS524X404 | 201,5 | EDV524X404 | 185 | ETC524X404 | 262,5 | EDK524-620 | 47,5 | SES624-324-L |
| EDH524X403 | EFS524X404 | ETS524X404 | 199 | EDV524X404 | 185 | ETC524X404 | 260 | EDK524-620 | 26,2 | SES524-620-L |
| EDH526X407 | EFS526X407 | ETS526X407 | 207 | EDV526X407 | 190 | ETC526X407 | 265 | EDK526 | 33,1 | SES526-L |
| EDH526X407 | EFS526X407 | ETS526X407 | 207 | EDV526X407 | 190 | ETC526X407 | 265 | EDK526 | 33,1 | SES526-L |
| EDH526X407 | EFS526X407 | ETS526X407 | 207 | EDV526X407 | 190 | ETC526X407 | 265 | EDK526 | 33,1 | SES526-L |
| EDH526X407 | EFS526X407 | ETS526X407 | 207 | EDV526X407 | 190 | ETC526X407 | 265 | EDK526 | 33,1 | SES526-L |
| EDH526 | EFS526 | ETS526X408 | 207 | EDV526 | 190 | ETC526 | 265 | EDK526 | 33,1 | SES526-L |
| EDH526 | EFS526 | ETS526X408 | 207 | EDV526 | 190 | ETC526 | 265 | EDK526 | 33,1 | SES526-L |
| EDH526 | EFS526 | ETS526X408 | 207 | EDV526 | 190 | ETC526 | 265 | EDK526 | 33,1 | SES526-L |
| EDH526 | EFS526 | ETS526X408 | 207 | EDV526 | 190 | ETC526 | 265 | EDK526 | 33,1 | SES526-L |
| EDH526 | EFS526X412 | ETS526X412 | 207 | EDV526X412 | 190 | ETC526X412 | 265 | EDK526 | 33,1 | SES526-L |
| EDH526 | EFS526X412 | ETS526X412 | 207 | EDV526X412 | 190 | ETC526X412 | 265 | EDK526 | 33,1 | SES526-L |
| EDH526 | EFS526X412 | ETS526X412 | 207 | EDV526X412 | 190 | ETC526X412 | 265 | EDK526 | 33,1 | SES526-L |

Plummer block housings

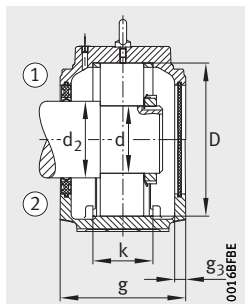
SES, split
For bearings with tapered bore and adapter sleeve
Inch size shaft



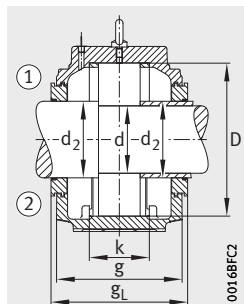
Dimension table (continued) - Dimensions in mm

| Shaft | | Housing Dimensions | | | | | | | | | | | | | Bearing and accessories | | | |
|---------------------------------|---------|--------------------|-----|----------------|-----|----|-----|-----|----|----|-----|-----|-----|----|-------------------------|-----------|----------------|---------------|
| | | d ₁ | h | h ₁ | g | b | c | a | m | v | u | s | D | k | g ₃ | Bearing | Adapter sleeve | Locating ring |
| inch | mm | | | | | | | | | | | | | | | | | 2 pieces |
| 4 ¹⁵ / ₁₆ | 125,413 | 150 | 302 | 205 | 150 | 50 | 500 | 420 | 42 | 35 | M30 | 250 | 98 | 15 | 20228...K | H3028X415 | FRM250/28 | |
| 4 ¹⁵ / ₁₆ | 125,413 | 150 | 302 | 205 | 150 | 50 | 500 | 420 | 42 | 35 | M30 | 250 | 98 | 15 | 22228...K | H3128X415 | FRM250/15 | |
| 4 ¹⁵ / ₁₆ | 125,413 | 150 | 302 | 205 | 150 | 50 | 500 | 420 | 42 | 35 | M30 | 250 | 98 | 15 | 2225.415 | – | FRM250/15 | |
| 4 ¹⁵ / ₁₆ | 125,413 | 150 | 302 | 205 | 150 | 50 | 500 | 420 | 42 | 35 | M30 | 250 | 98 | 15 | 23228...K | H2328X415 | FRM250/5 | |
| 5 | 127 | 150 | 302 | 205 | 150 | 50 | 500 | 420 | 42 | 35 | M30 | 250 | 98 | 15 | 20228...K | H3028X500 | FRM250/28 | |
| 5 | 127 | 150 | 302 | 205 | 150 | 50 | 500 | 420 | 42 | 35 | M30 | 250 | 98 | 15 | 22228...K | H3128X500 | FRM250/15 | |
| 5 | 127 | 150 | 302 | 205 | 150 | 50 | 500 | 420 | 42 | 35 | M30 | 250 | 98 | 15 | 2225.500 | – | FRM250/15 | |
| 5 | 127 | 150 | 302 | 205 | 150 | 50 | 500 | 420 | 42 | 35 | M30 | 250 | 98 | 15 | 23228...K | H2328X500 | FRM250/5 | |
| 5 ³ / ₁₆ | 131,763 | 160 | 323 | 220 | 160 | 60 | 530 | 450 | 42 | 35 | M30 | 270 | 106 | 15 | 20230...K | H3030X503 | FRM270/30,5 | |
| 5 ³ / ₁₆ | 131,763 | 160 | 323 | 220 | 160 | 60 | 530 | 450 | 42 | 35 | M30 | 270 | 106 | 15 | 22230...K | H3130X503 | FRM270/16,5 | |
| 5 ³ / ₁₆ | 131,763 | 160 | 323 | 220 | 160 | 60 | 530 | 450 | 42 | 35 | M30 | 270 | 106 | 15 | 2225.503 | – | FRM270/16,5 | |
| 5 ³ / ₁₆ | 131,763 | 160 | 323 | 220 | 160 | 60 | 530 | 450 | 42 | 35 | M30 | 270 | 106 | 15 | 23230...K | H2330X503 | FRM270/5 | |
| 5 ¹ / ₄ | 133,35 | 160 | 323 | 220 | 160 | 60 | 530 | 450 | 42 | 35 | M30 | 270 | 106 | 15 | 20230...K | H3030X504 | FRM270/30,5 | |
| 5 ¹ / ₄ | 133,35 | 160 | 323 | 220 | 160 | 60 | 530 | 450 | 42 | 35 | M30 | 270 | 106 | 15 | 22230...K | H3130X504 | FRM270/16,5 | |
| 5 ¹ / ₄ | 133,35 | 160 | 323 | 220 | 160 | 60 | 530 | 450 | 42 | 35 | M30 | 270 | 106 | 15 | 23230...K | H2330X504 | FRM270/5 | |
| 5 ⁷ / ₁₆ | 138,113 | 170 | 344 | 235 | 160 | 60 | 550 | 470 | 42 | 35 | M30 | 290 | 114 | 15 | 20232...K | H3032X507 | FRM290/33 | |
| 5 ⁷ / ₁₆ | 138,113 | 170 | 344 | 235 | 160 | 60 | 550 | 470 | 42 | 35 | M30 | 290 | 114 | 15 | 22232...K | H3132X507 | FRM290/17 | |
| 5 ⁷ / ₁₆ | 138,113 | 170 | 344 | 235 | 160 | 60 | 550 | 470 | 42 | 35 | M30 | 290 | 114 | 15 | 2225.507 | – | FRM290/17 | |
| 5 ⁷ / ₁₆ | 138,113 | 170 | 344 | 235 | 160 | 60 | 550 | 470 | 42 | 35 | M30 | 290 | 114 | 15 | 23232...K | H2332X507 | FRM290/5 | |
| 5 ¹ / ₂ | 139,7 | 170 | 344 | 235 | 160 | 60 | 550 | 470 | 42 | 35 | M30 | 290 | 114 | 15 | 20232...K | H3032X508 | FRM290/33 | |
| 5 ¹ / ₂ | 139,7 | 170 | 344 | 235 | 160 | 60 | 550 | 470 | 42 | 35 | M30 | 290 | 114 | 15 | 22232...K | H3132X508 | FRM290/17 | |
| 5 ¹ / ₂ | 139,7 | 170 | 344 | 235 | 160 | 60 | 550 | 470 | 42 | 35 | M30 | 290 | 114 | 15 | 2225.508 | – | FRM290/17 | |
| 5 ¹ / ₂ | 139,7 | 170 | 344 | 235 | 160 | 60 | 550 | 470 | 42 | 35 | M30 | 290 | 114 | 15 | 23232...K | H2332X508 | FRM290/5 | |

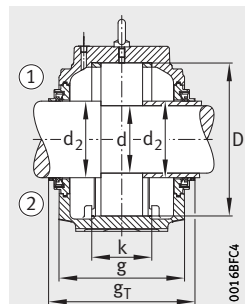
① Locating bearing. ② Non-locating bearing.



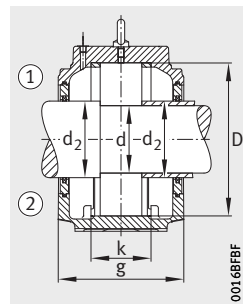
Double lip seal EDH
Cover EDK



Labyrinth seal ETS



Taconite seal ETC



Felt seal EFS

| | | | | | | | | | Housing | |
|-----------------|------------|----------------|-------------|------------|---------------|------------|-------|-------------------|-------------|----------|
| Double lip seal | Felt seal | Labyrinth seal | V ring seal | | Taconite seal | | Cover | Mass m ≈ kg | Designation | |
| | | | gL mm | gV mm | gT mm | gT mm | | | | |
| EDH528 | EFS528 | ETS528X415 | 222 | EDV528 | 205 | ETC528X415 | 285 | EDK528 | 40,3 | SES528-L |
| EDH528 | EFS528 | ETS528X415 | 222 | EDV528 | 205 | ETC528X415 | 285 | EDK528 | 40,3 | SES528-L |
| EDH528 | EFS528 | ETS528X415 | 222 | EDV528 | 205 | ETC528X415 | 285 | EDK528 | 40,3 | SES528-L |
| EDH528 | EFS528 | ETS528X415 | 222 | EDV528 | 205 | ETC528X415 | 285 | EDK528 | 40,3 | SES528-L |
| EDH528 | EFS528X500 | ETS528X500 | 222 | EDV528X500 | 205 | ETC528X500 | 285 | EDK528 | 40,3 | SES528-L |
| EDH528 | EFS528X500 | ETS528X500 | 222 | EDV528X500 | 205 | ETC528X500 | 285 | EDK528 | 40,3 | SES528-L |
| EDH528 | EFS528X500 | ETS528X500 | 222 | EDV528X500 | 205 | ETC528X500 | 285 | EDK528 | 40,3 | SES528-L |
| EDH528 | EFS528X500 | ETS528X500 | 222 | EDV528X500 | 205 | ETC528X500 | 285 | EDK528 | 40,3 | SES528-L |
| EDH530X503 | EFS530X503 | ETS530X503 | 237 | EDV530X503 | 220 | ETC530X503 | 295 | EDK530 | 48,5 | SES530-L |
| EDH530X503 | EFS530X503 | ETS530X503 | 237 | EDV530X503 | 220 | ETC530X503 | 295 | EDK530 | 48,5 | SES530-L |
| EDH530X503 | EFS530X503 | ETS530X503 | 237 | EDV530X503 | 220 | ETC530X503 | 295 | EDK530 | 48,5 | SES530-L |
| EDH530X503 | EFS530X503 | ETS530X503 | 237 | EDV530X503 | 220 | ETC530X503 | 295 | EDK530 | 48,5 | SES530-L |
| EDH530X504 | EFS530X504 | ETS530X504 | 237 | EDV530X504 | 220 | ETC530X504 | 295 | EDK530 | 48,5 | SES530-L |
| EDH530X504 | EFS530X504 | ETS530X504 | 237 | EDV530X504 | 220 | ETC530X504 | 295 | EDK530 | 48,5 | SES530-L |
| EDH530X504 | EFS530X504 | ETS530X504 | 237 | EDV530X504 | 220 | ETC530X504 | 295 | EDK530 | 48,5 | SES530-L |
| EDH532X507 | EFS532X507 | ETS532X507 | 252 | EDV532X507 | 235 | ETC532X507 | 315 | EDK532 | 56,7 | SES532-L |
| EDH532X507 | EFS532X507 | ETS532X507 | 252 | EDV532X507 | 235 | ETC532X507 | 315 | EDK532 | 56,7 | SES532-L |
| EDH532X507 | EFS532X507 | ETS532X507 | 252 | EDV532X507 | 235 | ETC532X507 | 315 | EDK532 | 56,7 | SES532-L |
| EDH532X507 | EFS532X507 | ETS532X507 | 252 | EDV532X507 | 235 | ETC532X507 | 315 | EDK532 | 56,7 | SES532-L |
| EDH532 | EFS532 | ETS532 | 252 | EDV532 | 235 | ETC532 | 315 | EDK532 | 56,7 | SES532-L |
| EDH532 | EFS532 | ETS532 | 252 | EDV532 | 235 | ETC532 | 315 | EDK532 | 56,7 | SES532-L |
| EDH532 | EFS532 | ETS532 | 252 | EDV532 | 235 | ETC532 | 315 | EDK532 | 56,7 | SES532-L |
| EDH532 | EFS532 | ETS532 | 252 | EDV532 | 235 | ETC532 | 315 | EDK532 | 56,7 | SES532-L |

**Schaeffler Technologies
AG & Co. KG**

Georg-Schäfer-Straße 30
97421 Schweinfurt
Germany

www.schaeffler.de/en
info.de@schaeffler.com

In Germany:

Phone 0180 5003872

From other countries:

Phone +49 9721 91-0

All information has been carefully compiled and checked by us, but we cannot guarantee complete accuracy. We reserve the right to make corrections. Therefore, please always check whether more up-to-date or amended information is available. Printing, including excerpts, is only permitted with our permission.

© Schaeffler Technologies AG & Co. KG
TPI 247 / 01 / en-GB / DE / 2021-10